



## DIG 142

**AvK®**

Model	DIG 142
Maximum continuous rating at 50Hz (kVA)	5,800
Maximum continuous rating at 60Hz (kVA)	6,700

Specifications	
Voltage Range	3,300-13,800
Poles	4
Technology	Bar Wound
AVR	Digital
Voltage sensing	3-Phase
Bearing Arrangement	Double
SAE Adaptors	0, 00
Terminals	6
Material Insulation Class	F
Excitation System	Auxiliary Winding
Ingress Protection	IP23
Temperature monitoring	Winding RTDs
Connection with other machines	Paralleling capability

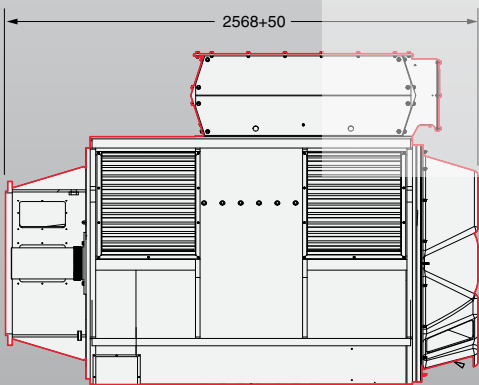
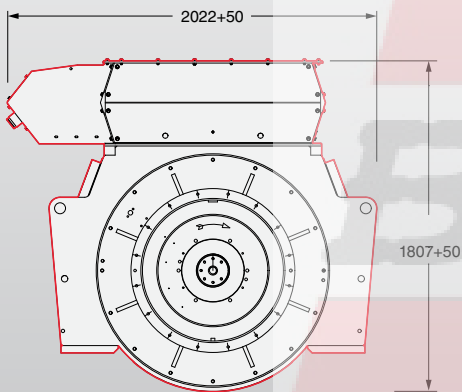
Optional Features	
Ingress Protection	IP23 Air Filters
Environmental protection	Anti-condensation Heaters

Designed For	
Power Plant	●
Grid Code Compatible	●
Marine Propulsion	●
Oil & Gas	●
Combined Heat & Power	●
Continuous Power & Standby	●

Prime Movers	
Diesel Engine	●
Gas Engine	●
Gas Turbine	●
Steam Turbine	●

## DIMENSIONS

Drawings represent standard design  
All dimensions in millimetres (mm)



High Voltage  
1,000 - 6,000 kVA