



DSG 125

AvK®

Model	DSG 125
Maximum continuous rating at 50Hz (kVA)	7,000
Maximum continuous rating at 60Hz (kVA)	5,750

Specifications	
Voltage Range	690
Poles	8, 10
Technology	Bar Wound
AVR	Digital
Voltage sensing	3-Phase
Bearing Arrangement	Double (Sleeve Bearings)
SAE Adaptors	0, 00
Terminals	6
Material Insulation Class	H
Excitation System	Auxiliary Winding
Ingress Protection	IP44
Temperature monitoring	Winding RTDs
Connection with other machines	Paralleling capability

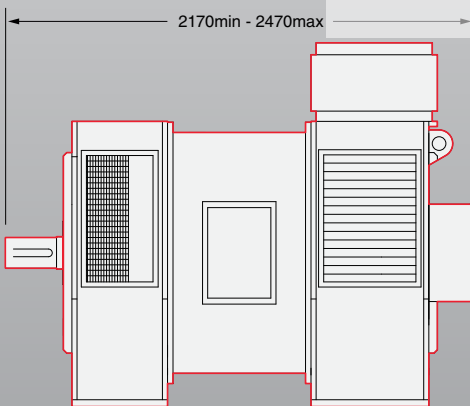
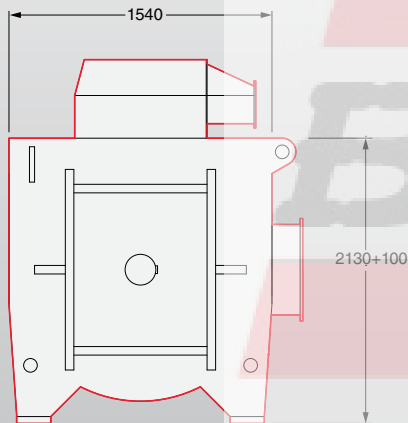
Optional Features	
Ingress Protection	IP23 Air Filters
Ingress Protection	IP54/55/56 Totally enclosed
Cooling options	CACW
Environmental protection	Anti-condensation Heaters

Designed For	
Power Plant	
Grid Code Compatible	
Marine Propulsion	●
Marine Auxiliary	●
Oil & Gas	●
Combined Heat & Power	
Critical Protection & UPS	
Continuous Power & Standby	●

Prime Movers	
Diesel Engine	●
Gas Engine	●
Gas Turbine	
Steam Turbine	

DIMENSIONS

Drawings represent standard design
All dimensions in millimetres (mm)



4,000 - 7,000 kVA