

CL Challenger Lifts



Model#: CL12
2-Post Symmetric Lift
3-stage front and rear arms
12,000 lb. capacity

CL12



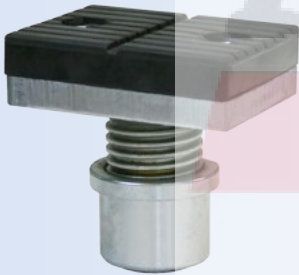
CL12:
3-stage front + 3-stage rear arms

Service more vehicles and make more money with Challenger Lifts' new CL12, 12,000 lb. capacity two post lift. The new CL12 comes standard with 3-stage front and 3-stage rear arms providing the advantage of lifting many common cars, trucks, vans and SUVs within rated capacity.

The CL12 has features you would expect to pay more for like geared arm restraints, 3-stage front and rear arms, and necessary adapters for lifting trucks. In fact, no other car lift company gives you more.

Features & Benefits:

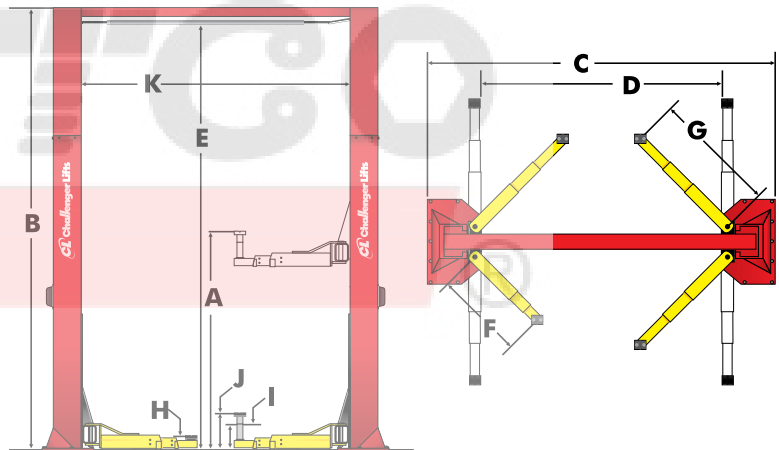
- 3-stage front and 3-stage rear arms provide greater extension and retraction.
- Geared arm restraints standard.
- Single-point mechanical lock release system allows technician to disengage both column locks simultaneously.
- Oversized steel pulley reduces stress on equalization system and provides increased durability.
- 60" lifting carriage lessens column stress by dispersing load.
- Standard combination stack screw pads and storage brackets accommodates a wide range of vehicle pick up points.
- Padded overhead shut off system prevents vehicle damage from being raised too high.
- 1' and 2' column height extensions available



Heavy duty telescoping screw pads will provide accurate adjustment to ensure correct contact with manufacturer specified vehicle pick up points.

Model Number	CL12	CL12-1	CL12-2
Lifting Capacity	12,000 lb. (5443kg)		
A Rise Height ¹	84 ³ / ₄ " (2153mm)		
B Height Overall	13' 8" (4166mm)	14' 8" (4470mm)	15' 8" (4775mm)
C Width Overall	11' 10" (3607mm)		
D Drive-Thru Clearance	103 ¹ / ₂ " (2629mm)		
E Floor-Overhead Switch	157" (3988mm)	169" (4293mm)	181" (4597mm)
F Arm Reach (Min.)	27 ¹ / ₂ " (700mm)		
G Arm Reach (Max.)	59" (1500mm)		
H Adj. Adapter Height ²	5" to 6 ⁵ / ₈ " (127mm to 168mm)		
I Adj. Adapter Height ² (with Medium Extensions)	8" to 9 ⁵ / ₈ " (203mm to 244mm)		
J Adj. Adapter Height ² (with High Extensions)	11" to 12 ⁵ / ₈ " (279mm to 320mm)		
K Inside Columns	114 ¹ / ₂ " (2908mm)		
Motor	2HP		
Voltage (1 Phase Std.) ³	208v - 230v		
Speed of Rise	60 Sec.		
Ceiling Height Required	13' 9" (4191mm)	14' 9" (4496mm)	15' 9" (4801mm)

¹ Rise height is measured with high extension. ² Medium and high auxiliary adapter extensions are standard. ³ Optional 3 phase electrical also available, please specify at time of order. † Frame engaging adapters are REQUIRED when lifting vehicles with frame construction. Standard lift colors are Red and Blue.



standard features:



For more information, contact your Authorized Challenger Lifts Distributor:



The Automotive Lift Institute (ALI) certifies that the CL12 described herein complies with the applicable provisions of the American National Standards ANSI/ALI ALCTV 2011 and is Third Party Validated by the ETL Testing Laboratory.

Challenger Lifts, Inc. reserves the right to make changes to specifications without notice and without making changes retroactive. Unloading, installation and oil not included.