

# STAMFORD® P7

Model	P7
Maximum continuous rating at 50Hz (kVA)	2,200
Maximum continuous rating at 60Hz (kVA)	2,750

Standard Features	
Voltage Range	380-690
Poles	4, 6
Technology	Wire Wound
AVR	Analogue
Voltage sensing	2-Phase
Bearing Arrangement	Single
SAE Adaptors	0, 00
Terminals	6
Material Insulation Class	H
Excitation System	PMG
Ingress Protection	IP23
Connection with other machines	Paralleling capability

Optional Features	
Bearing Arrangement	Double
Ingress Protection	IP23 Air Filters
Ingress Protection	IP44 Air Filters
Voltage sensing	3-Phase sensing
AVR	Digital
Temperature monitoring	Winding RTDs
Temperature monitoring	Thermistors
Environmental protection	Anti-condensation Heaters

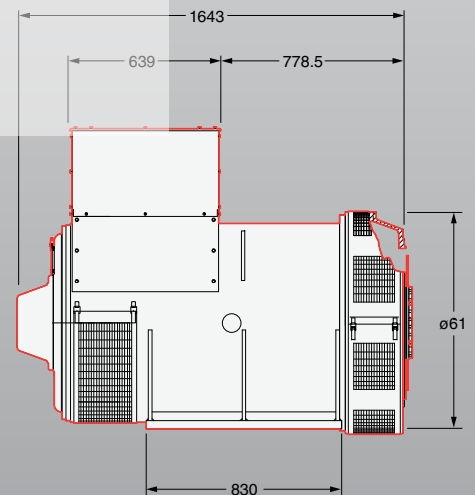
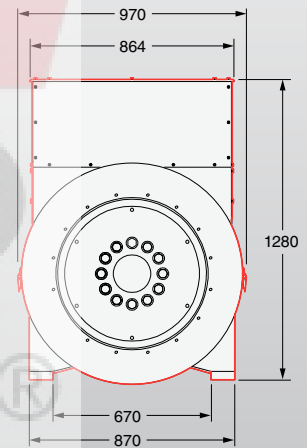
Designed For	
Power Plant	●
Grid Code Compatible	●
Marine Propulsion	●
Marine Auxiliary	●
Oil & Gas	●
Oil & Gas Auxiliary	●
Combined Heat & Power	●
Critical Protection & UPS	●
Continuous Power & Standby	●

Prime Movers	
Diesel Engine	●
Gas Engine	●
Gas Turbine	●
Steam Turbine	●



## DIMENSIONS

Drawings represent standard design  
 All dimensions in millimetres (mm)



1,250 - 4,000 kVA