

 **HERRMANN**

مركز البراغي والعدد
BOLTS & TOOLS CENTER 

we lift cars



OIL HYDRAULIC LIFTS

03

2 PISTON LIFTS

05



Uni Lift

08



Jib Lift

09



Vario Lift

11



Schwenkarm Lift

15



Schwenkarm Vario Lift

17



Body Lift

18

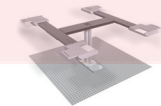


Duplex Lift

20

1 PISTON LIFTS

22



Classic Lift



27

TELESCOPE LIFTS

29



Uni Lift Telescope

30



Schwenkarm Lift Telescope

31

ALU TRACK PLATFORMS

32



Alu Track Lift

41

ACCESSORIES

OPTIMAL FREE
SPACE AT YOUR
WORK STATION

TWO-PISTON LIFTS

FOR REPAIR AND

MAINTENANCE WORK

A CLEAN AND ERGONOMIC

SOLUTION FOR WORKSHOPS

BTCO

2-PISTON® LIFTS

TECHNICS

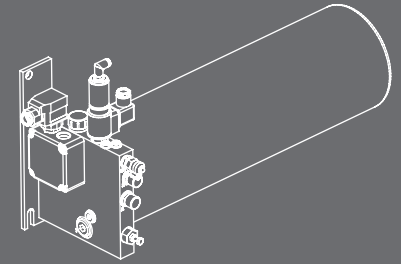
electronic lift control
with non-contacting
end switch

acoustic and visual
error display

pneumatic emergency
release at the control panel

simple operation
via keypad

low noise drive by
submerged electric motor



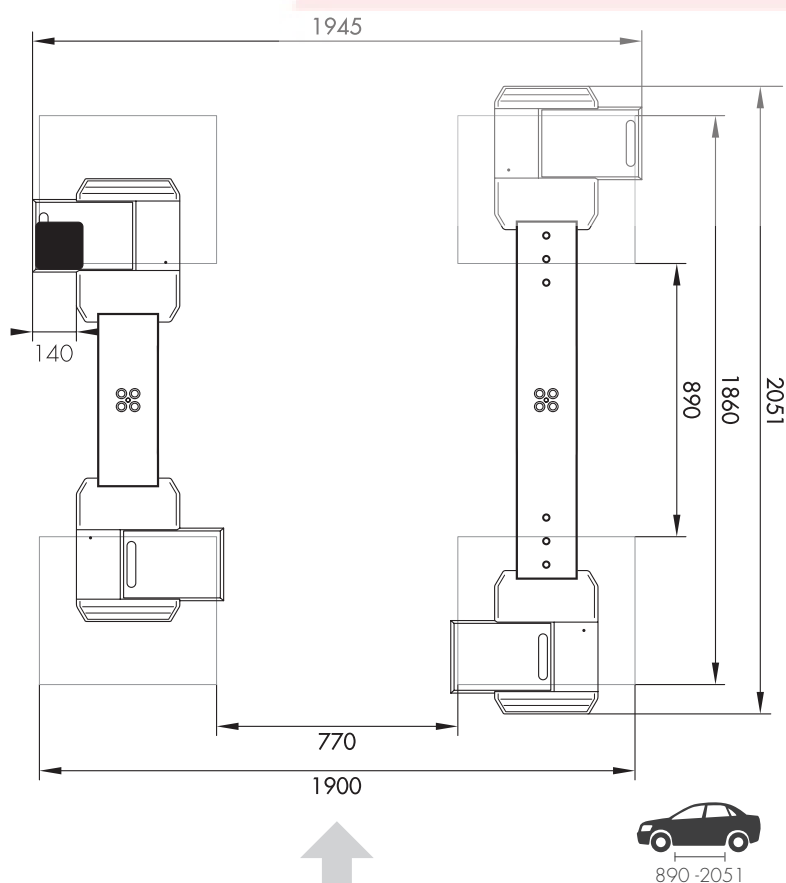
hard chromed
support cylinders

aluminum basic guides
with integrated
grease chamber

threepart supported
synchronzation bar

piston
hard chromed

Uni Lift 2.35 plus

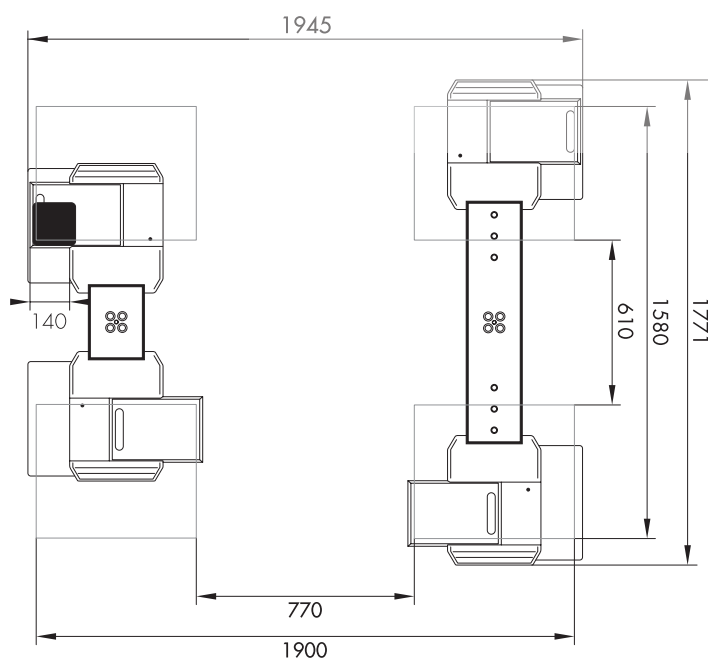


TECHNICAL DATA

capacity	3500 kg
lifting height	1860 mm
effective raise height	1920 mm
drive over height	60 mm
piston diameter	123 mm
piston distance	1335 mm
installation depth	2338 mm
motor output	3,0 kW
power connector	400 V/16 A
cable length to control	8 m
lifting time	≈ 35 sec.
lowering time	≈ 35 sec.

Support Uni 2.35 plus	102640
Installation cassette STEEL 1335 mm	2010XX
Installation cassette STEEL 1335 mm galvanized	2011XX
Lifting unit oil 3,5 l 1335 mm - K	104881
pre-assembled in installation cassette	
Lifting unit oil 3,5 l 1335 mm - H	104882
packed in wooden box	

Uni Lift 2.35 plus mini



TECHNICAL DATA

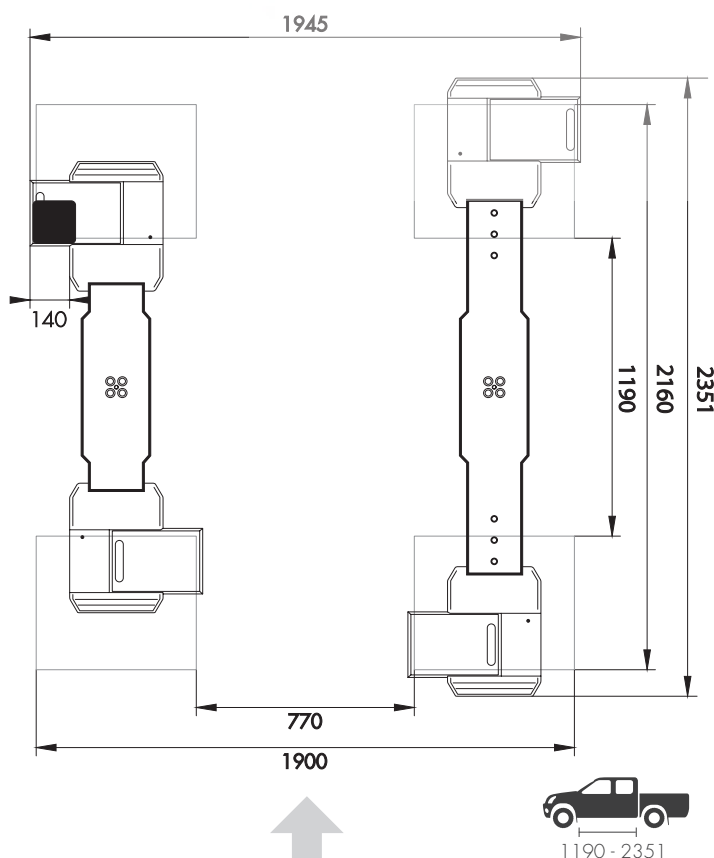
capacity	3500 kg
lifting height	1860 mm
effective raise height	1920 mm
drive over height	60 mm
piston diameter	123 mm
piston distance	1335 mm
installation depth	2338 mm
motor output	3,0 kW
power connector	400 V/16 A
cable length to control	8 m
lifting time	≈ 35 sec.
lowering time	≈ 35 sec.

Support Uni 2.35 plus mini	102646
Installation cassette STEEL 1335 mm	2010XX
Installation cassette STEEL 1335 mm galvanized	2011XX
Lifting unit oil 3,5 l 1335 mm - K	104881
pre-assembled in installation cassette	
Lifting unit oil 3,5 l 1335 mm - H	104882
packed in wooden box	



610-1771

Uni Lift 2.35 plus maxi

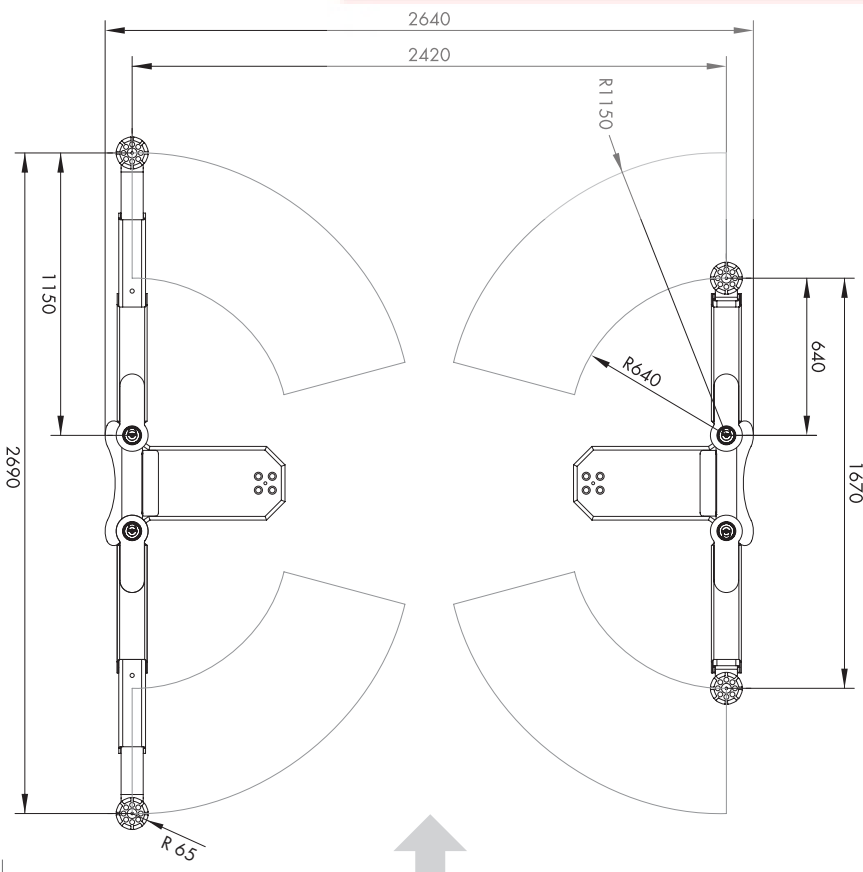


TECHNICAL DATA

capacity	3500 kg
lifting height	1860 mm
effective raise height	1920 mm
drive over height	60 mm
piston diameter	123 mm
piston distance	1335 mm
installation depth	2338 mm
motor output	3,0 kW
power connector	400 V/16 A
cable length to control	8 m
lifting time	≈ 35 sec.
lowering time	≈ 35 sec.

Support Uni 2.35 plus maxi	102642
Installation cassette STEEL 1335 mm	2010XX
Installation cassette STEEL 1335 mm galvanized	2011XX
Lifting unit oil 3,5 l 1335 mm - K	104881
pre-assembled in installation cassette	
Lifting unit oil 3,5 l 1335 mm - H	104882
packed in wooden box	

Jib Lift 2.35 plus

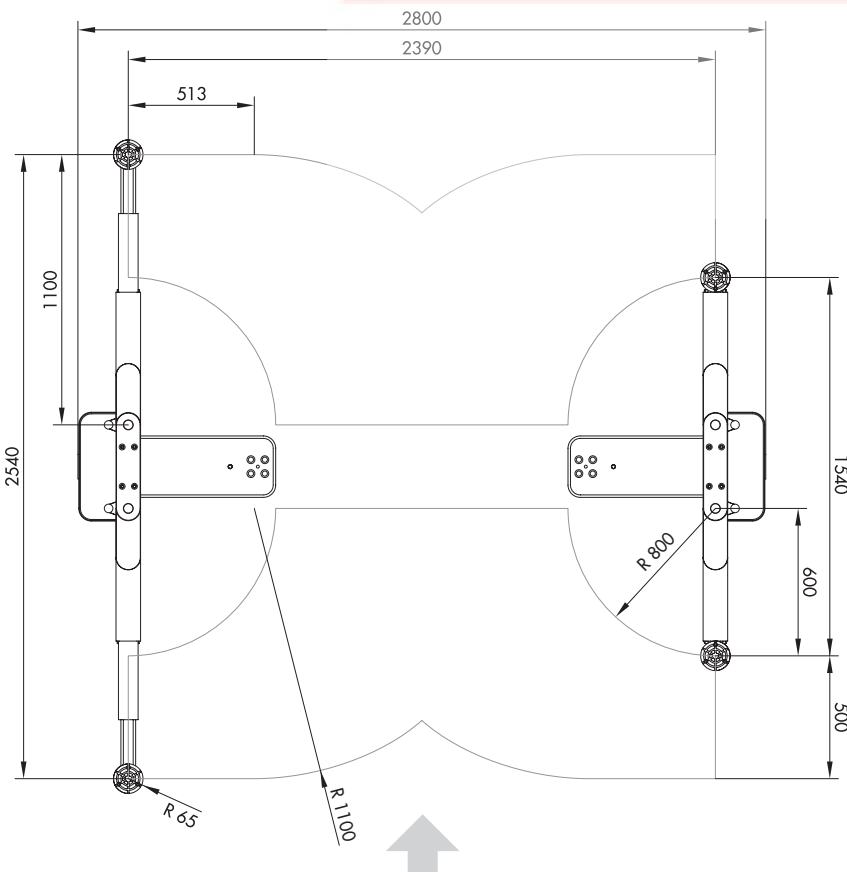


TECHNICAL DATA

capacity	3500 kg
lifting height	1860 mm
effective raise height	1950 mm
move in height	97 mm
piston diameter	123 mm
piston distance	1335 mm
installation depth	2338 mm
motor output	3,0 kW
power connector	400 V/16 A
cable length to control	8 m
lifting time	≈ 35 sec.
lowering time	≈ 35 sec.

Support Jib 2.35 plus	102718
Installation cassette STEEL 1335 mm	2010XX
Installation cassette STEEL 1335 mm galvanized	2011XX
Lifting unit oil 3,5 l 1335 mm - K	104881
pre-assembled in installation cassette	
Lifting unit oil 3,5 l 1335 mm - H	104882
packed in wooden box	

Vario Lift 2.35

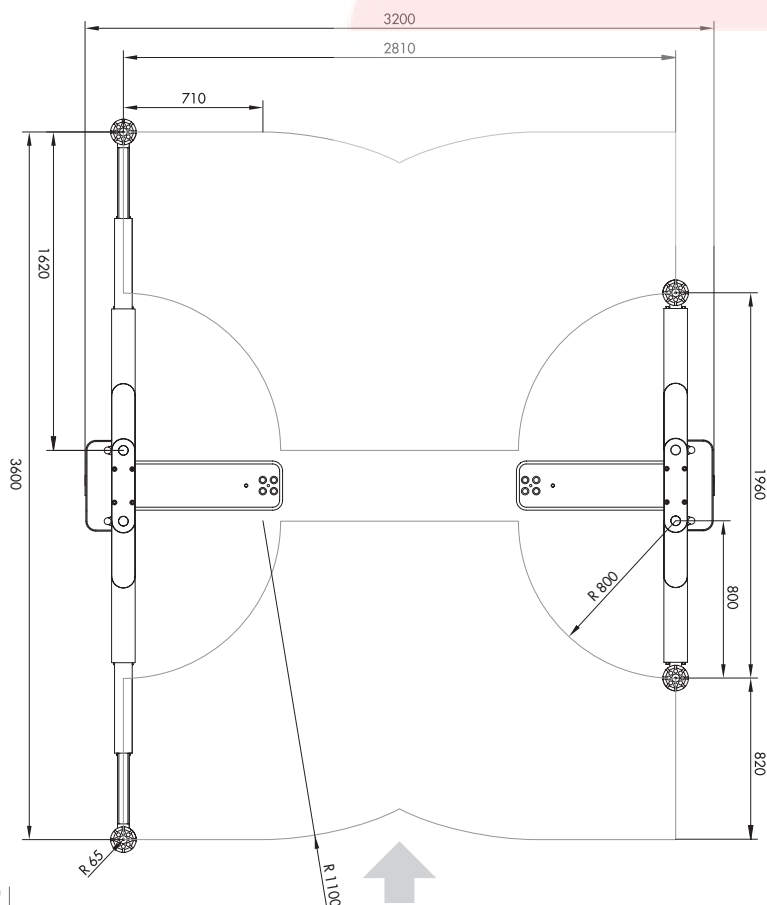


TECHNICAL DATA

capacity	3500 kg
lifting height	1860 mm
effective raise height	1950 mm
move in height	96 mm
piston diameter	123 mm
piston distance	1335 mm
installation depth	2338 mm
motor output	3,0 kW
power connector	400 V/16 A
cable length to control	8 m
lifting time	≈ 35 sec.
lowering time	≈ 35 sec.

Support Vario 2.35	102647
Installation cassette STEEL 1335 mm	2010XX
Installation cassette STEEL 1335 mm galvanized	2011XX
Lifting unit oil 3,5 l 1335 mm - K	104881
pre-assembled in installation cassette	
Lifting unit oil 3,5 l 1335 mm - H	104882
packed in wooden box	

Vario Lift 2.50



TECHNICAL DATA

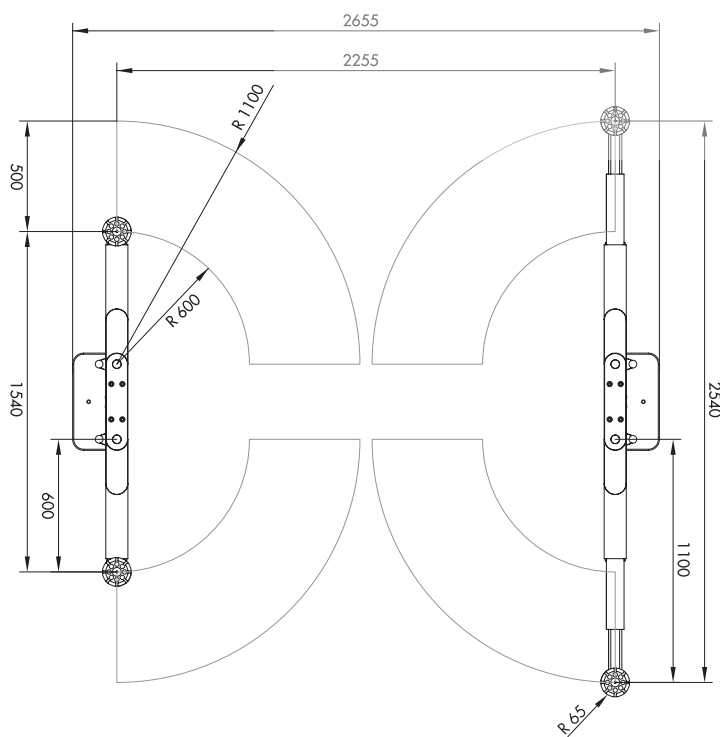
capacity	5000 kg
lifting height	1800 mm
effective raise height	1914 mm
move in height	110 mm
piston diameter	123 mm
piston distance	1335 mm
installation depth	2338 mm
motor output	3,0 kW
power connector	400 V/16 A
cable length to control	8 m
lifting time	≈ 35 sec.
lowering time	≈ 35 sec.

Support Vario 2.50	102653
Installation cassette STEEL 1335 mm	2010XX
Installation cassette STEEL 1335 mm galvanized	2011XX
Lifting unit oil 5,0 l 1335 mm - K pre-assembled in installation cassette	104902
Lifting unit oil 5,0 l 1335 mm - H packed in wooden box	104903

Schwenkarm Lift 2.30 PE-2285



BOLTSANDTOOLS

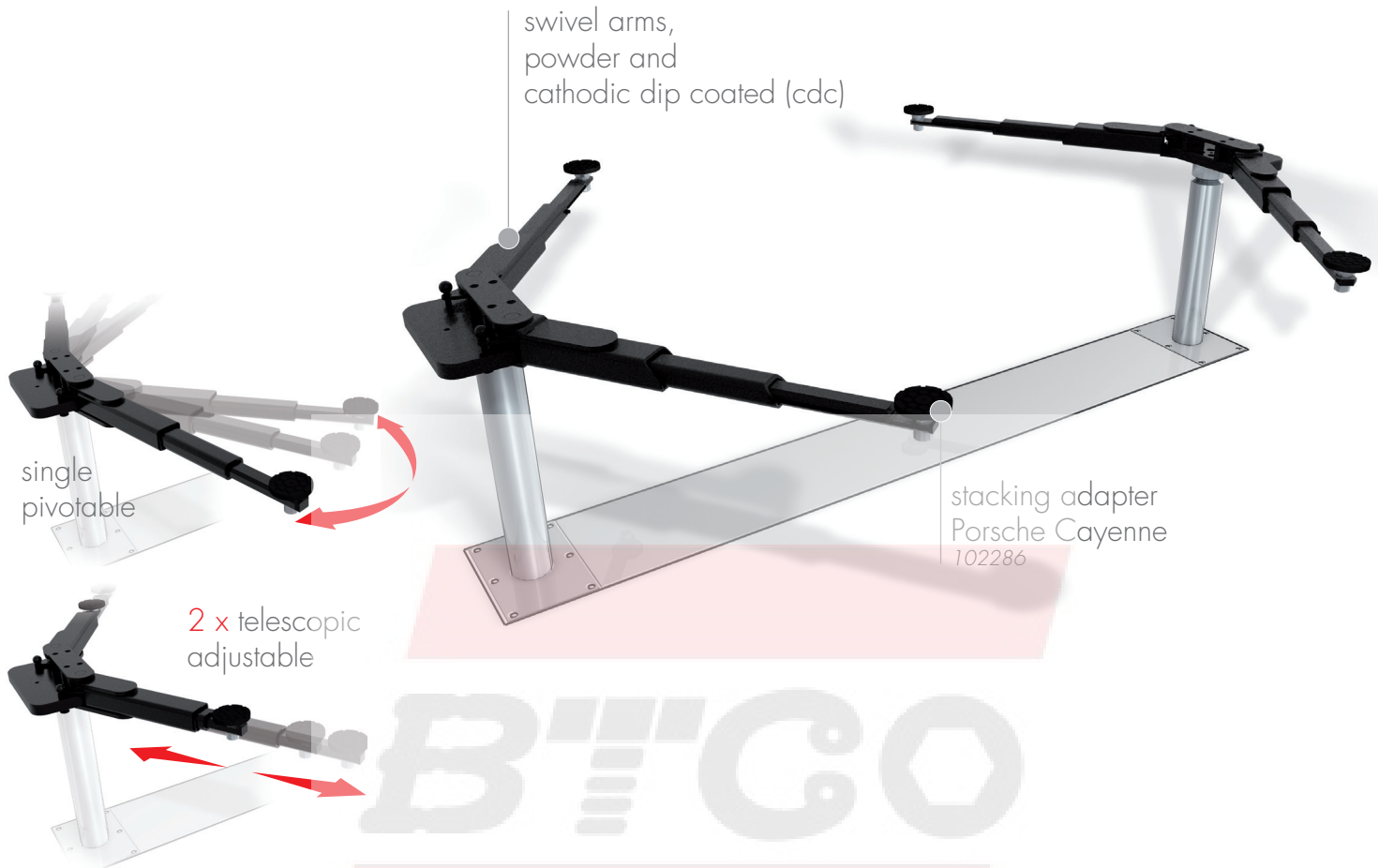


TECHNICAL DATA

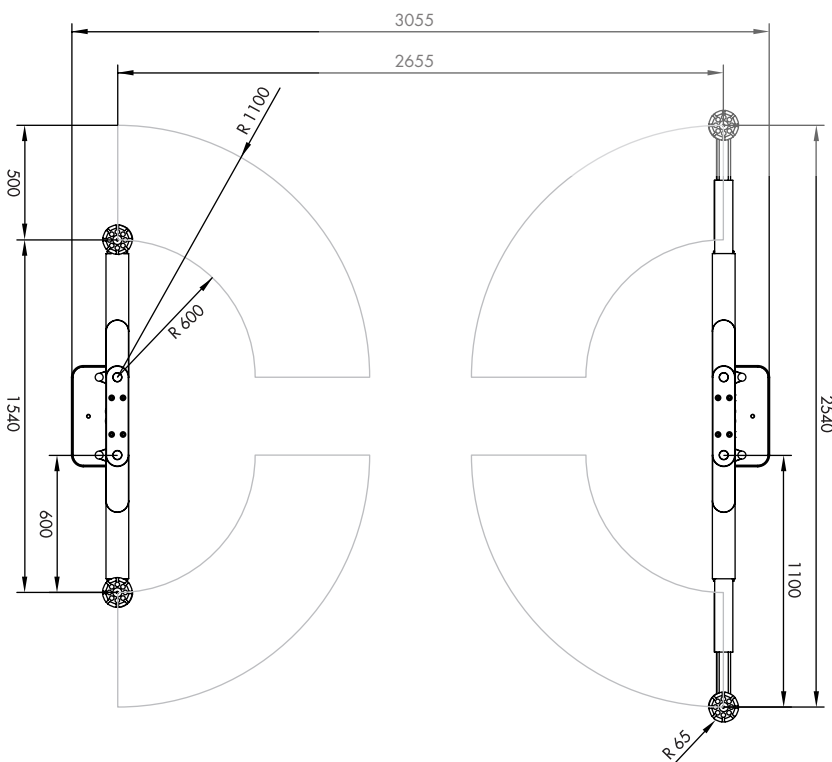
capacity	3000 kg
lifting height	1860 mm
effective raise height	1960 mm
move in height	74 mm
piston diameter	123 mm
piston distance	2285 mm
installation depth	2338 mm
motor output	3,0 kW
power connector	400 V/16 A
cable length to control	8 m
lifting time	≈ 35 sec.
lowering time	≈ 35 sec.

Support Schwenkarm 2.30 PE	102672
Installation cassette STEEL 2285 mm	2020XX
Installation cassette STEEL 2285 mm galvanized	2021XX
Lifting unit oil 3,0 l 2285 mm - K	106000
pre-assembled in installation cassette	
Lifting unit oil 3,0 l 2285 mm - H	106001
packed in wooden box	

Schwenkarm Lift 2.30 PE-2685



BOLTSANDTOOLS



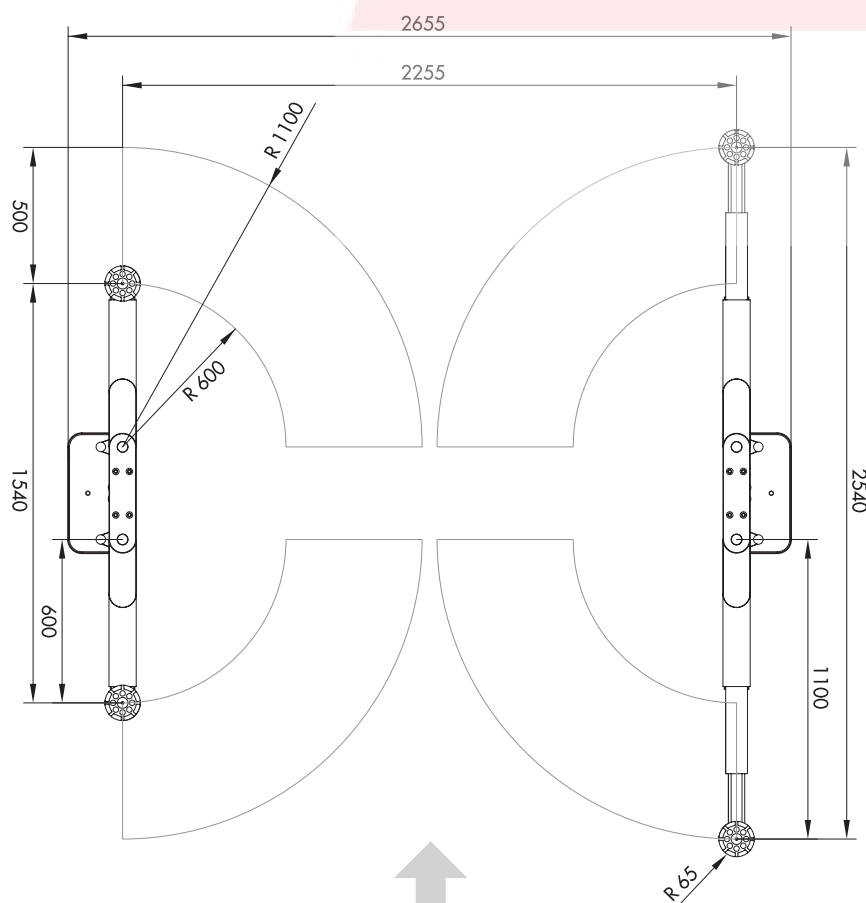
TECHNICAL DATA

capacity	3000 kg
lifting height	1860 mm
effective raise height	1960 mm
move in height	74 mm
piston diameter	123 mm
piston distance	2685 mm
installation depth	2338 mm
motor output	3,0 kW
power connector	400 V/16 A
cable length to control	8 m
lifting time	≈ 35 sec.
lowering time	≈ 35 sec.

Support Schwenkarm 2.30 PE	102672
Installation cassette STEEL 2685 mm	2080XX
Installation cassette STEEL 2685 mm galvanized	2081XX
Lifting unit oil 3,0 2685 mm - K pre-assembled in installation cassette	105051
Lifting unit oil 3,0 2685 mm - H packed in wooden box	105052



Schwenkarm Lift 2.35

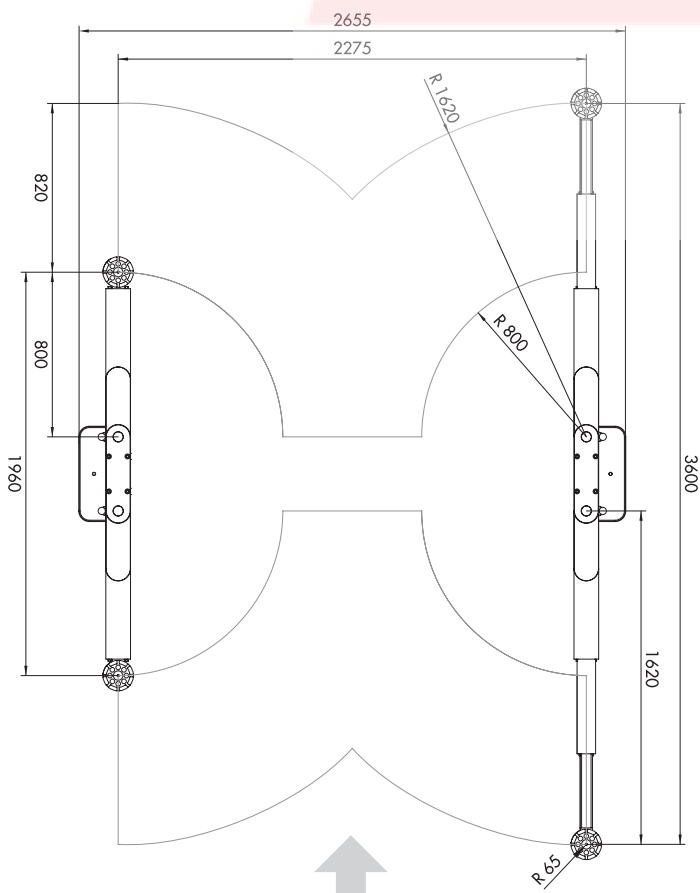


TECHNICAL DATA

capacity	3500 kg
lifting height	1860 mm
effective raise height	1960 mm
move in height	96 mm
piston diameter	123 mm
piston distance	2285 mm
installation depth	2338 mm
motor output	3,0 kW
power connector	400 V/16 A
cable length to control	8 m
lifting time	≈ 35 sec.
lowering time	≈ 35 sec.

Support Schwenkarm 2.35	102661
Installation cassette STEEL 2285 mm	2020XX
Installation cassette STEEL 2285 mm galvanized	2021XX
Lifting unit oil 3,5 l 2285 mm - K	104883
pre-assembled in installation cassette	
Lifting unit oil 3,5 l 2285 mm - H	104884
packed in wooden box	

Schwenkarm Lift 2.50

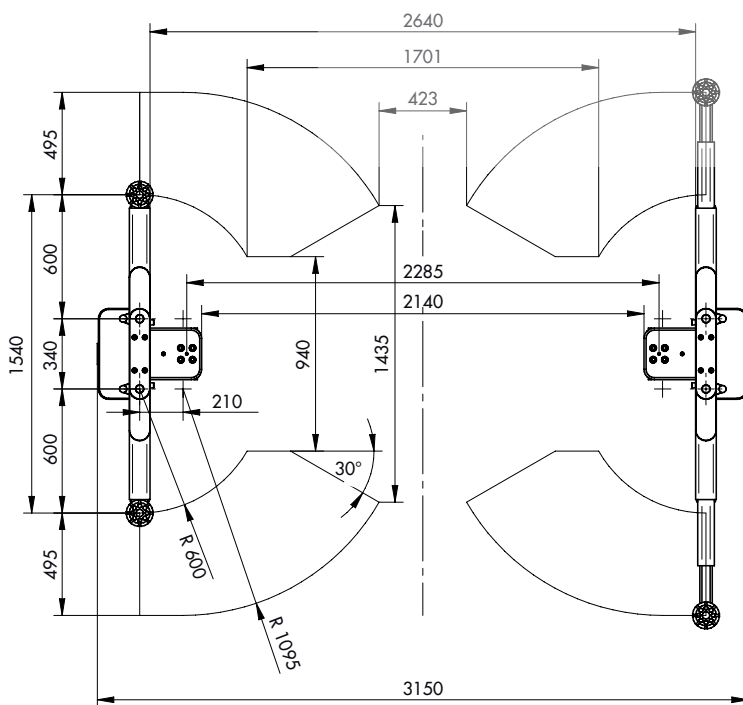
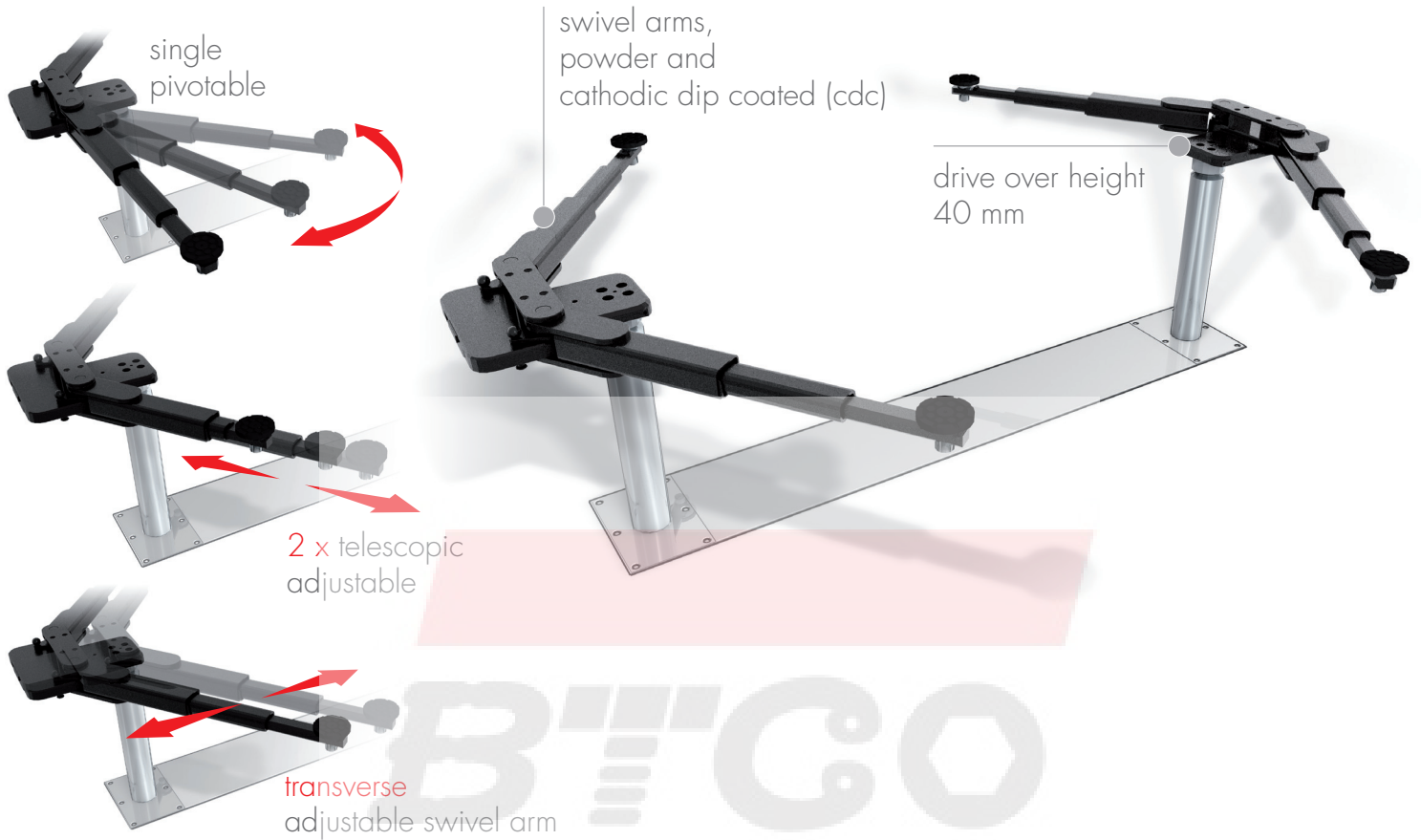


TECHNICAL DATA

capacity	5000 kg
lifting height	1780 mm
effective raise height	1894 mm
move in height	110 mm
piston diameter	123 mm
piston distance	2285 mm
installation depth	2338 mm
motor output	3,0 kW
power connector	400 V/16 A
cable length to control	8 m
lifting time	≈ 35 sec.
lowering time	≈ 35 sec.

Support Schwenkarm 2.50	102666
Installation cassette STEEL 2285 mm	2020XX
Installation cassette STEEL 2285 mm galvanized	2021XX
Lifting unit oil 5,0 l 2285 mm - K	104885
pre-assembled in installation cassette	
Lifting unit oil 5,0 l 2285 mm - H	104886
packed in wooden box	

Schwenkarm Vario Lift 2.35

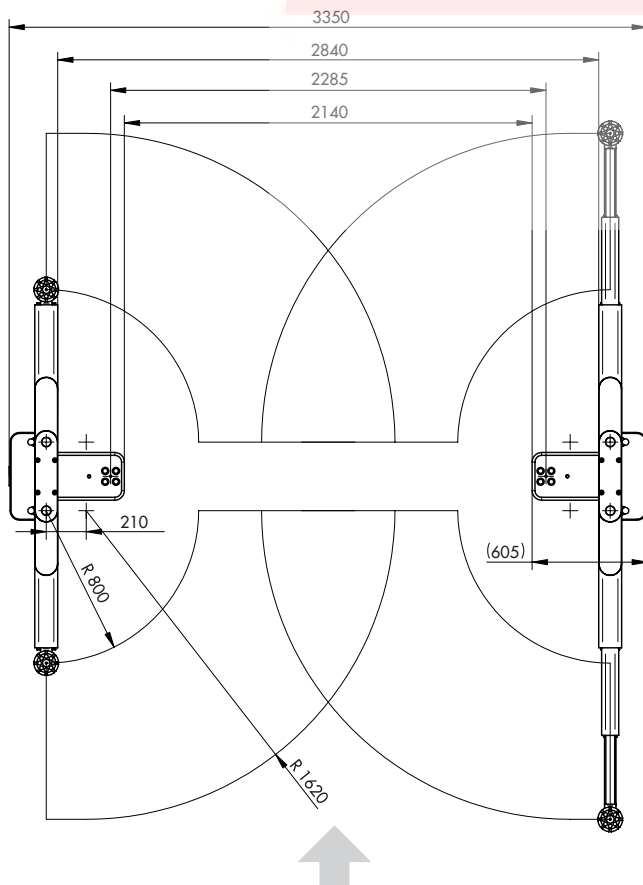


TECHNICAL DATA

capacity	3500 kg
lifting height	1860 mm
effective raise height	1950 mm
move in height	96 mm
piston diameter	123 mm
piston distance	2285 mm
installation depth	2338 mm
motor output	3,0 kW
power connector	400 V/16 A
cable length to control	8 m
lifting time	≈ 35 sec.
lowering time	≈ 35 sec.

Support Schwenkarm Vario 2.35	105049
Installation cassette STEEL 2285 mm	2020XX
Installation cassette STEEL 2285 mm galvanized	2021XX
Lifting unit oil 3,5 l 2285 mm - K	104883
pre-assembled in installation cassette	
Lifting unit oil 3,5 l 2285 mm - H	104884
packed in wooden box	

Schwenkarm Vario Lift 2.50

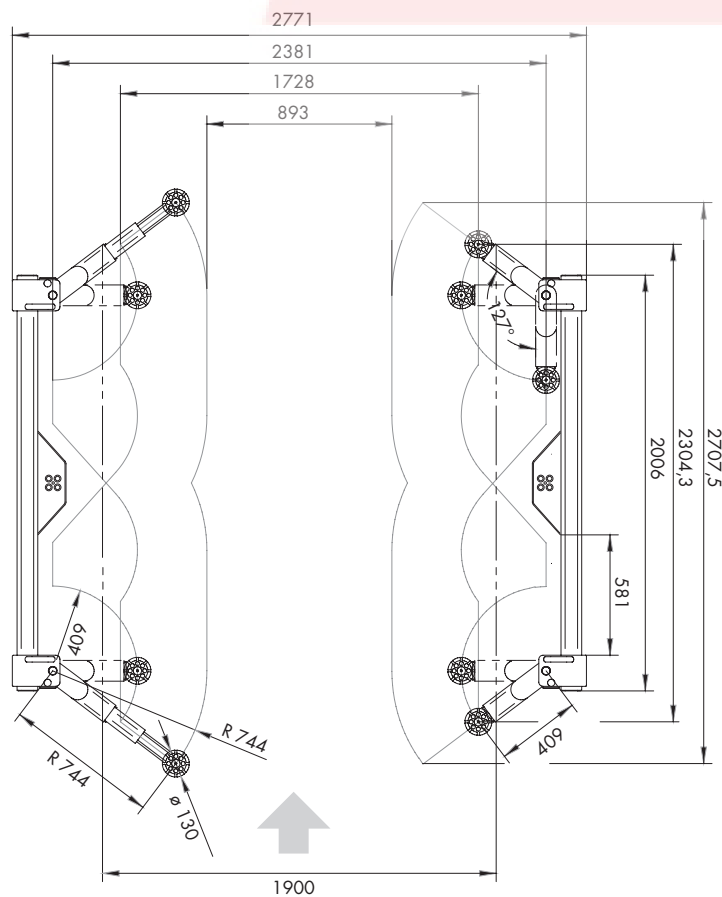
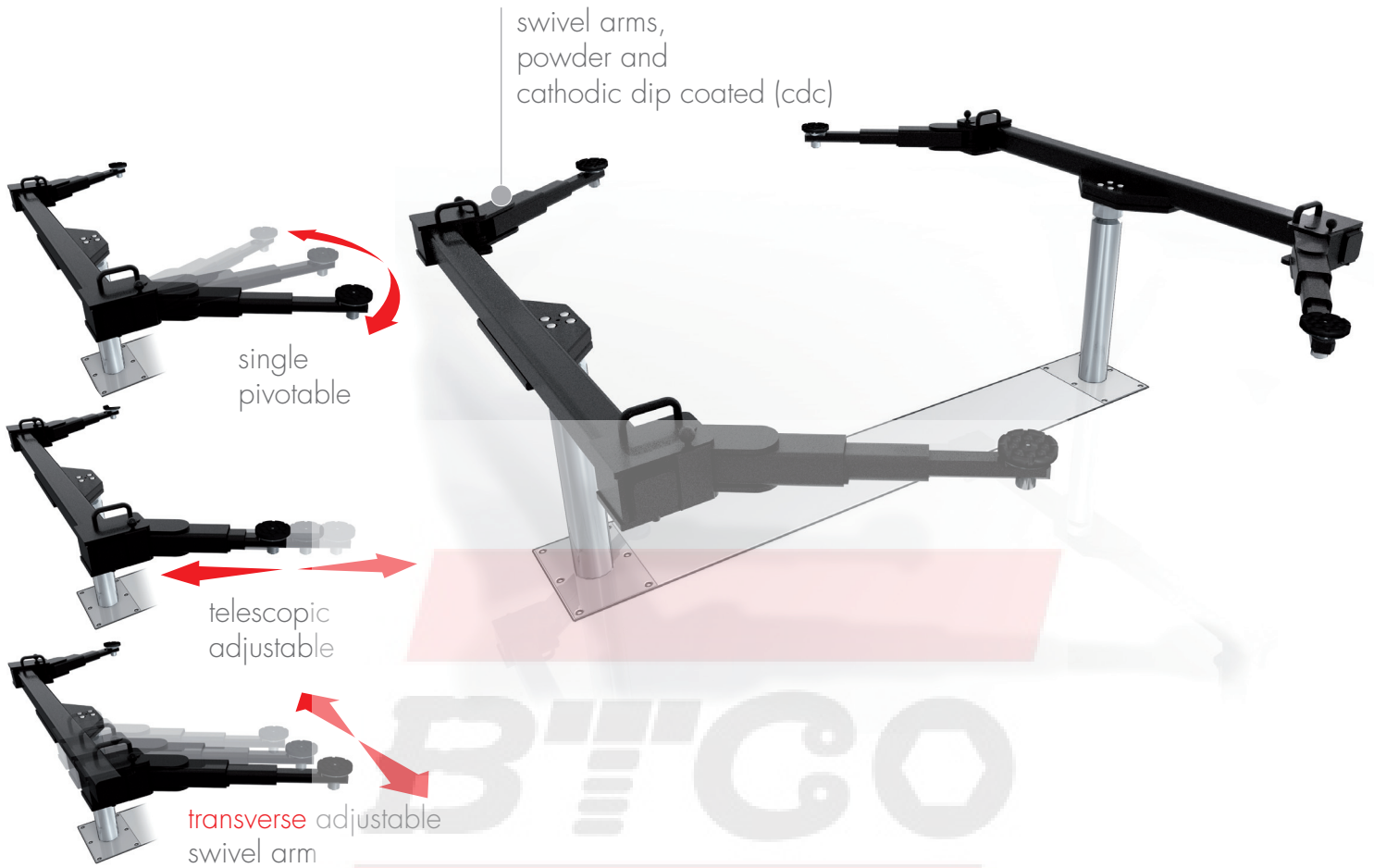


TECHNICAL DATA

capacity	5000 kg
lifting height	1800 mm
effective raise height	1914 mm
move in height	110 mm
piston diameter	123 mm
piston distance	2285 mm
installation depth	2338 mm
motor output	3,0 kW
power connector	400 V/16 A
cable length to control	8 m
lifting time	≈ 35 sec.
lowering time	≈ 35 sec.

Support Schwenkarm Vario 2.50	105050
Installation cassette STEEL 2285 mm	2020XX
Installation cassette STEEL 2285 mm galvanized	2021XX
Lifting unit oil 5,0 2285 mm - K	104885
pre-assembled in installation cassette	
Lifting unit oil 5,0 2285 mm - H	104886
packed in wooden box	

Body Lift 2.35



TECHNICAL DATA

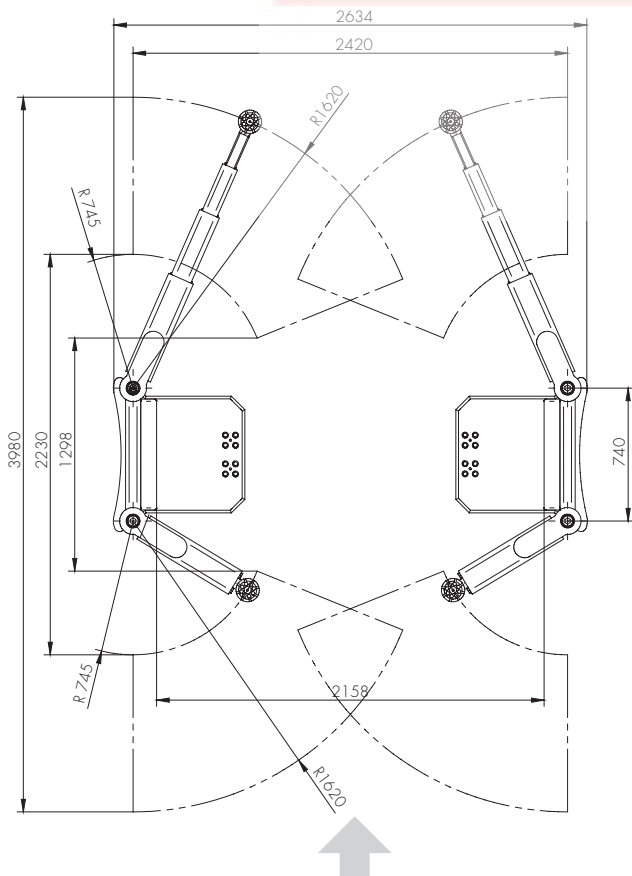
capacity	3500 kg
lifting height	1860 mm
effective raise height	1970 mm
move in height	115 mm
piston diameter	123 mm
piston distance	2285 mm
installation depth	2338 mm
motor output	3,0 kW
power connector	400 V/16 A
cable length to control	8 m
lifting time	≈ 35 sec.
lowering time	≈ 35 sec.

Support Body 2.35	104898
Installation cassette STEEL 2285 mm	2020XX
Installation cassette STEEL 2285 mm galvanized	2021XX
Lifting unit oil 3,5 l 2285 mm - K pre-assembled in installation cassette	104883
Lifting unit oil 3,5 l 2285 mm - H packed in wooden box	104884

Duplex Lift 4.65



BOLTSANDTOOLS

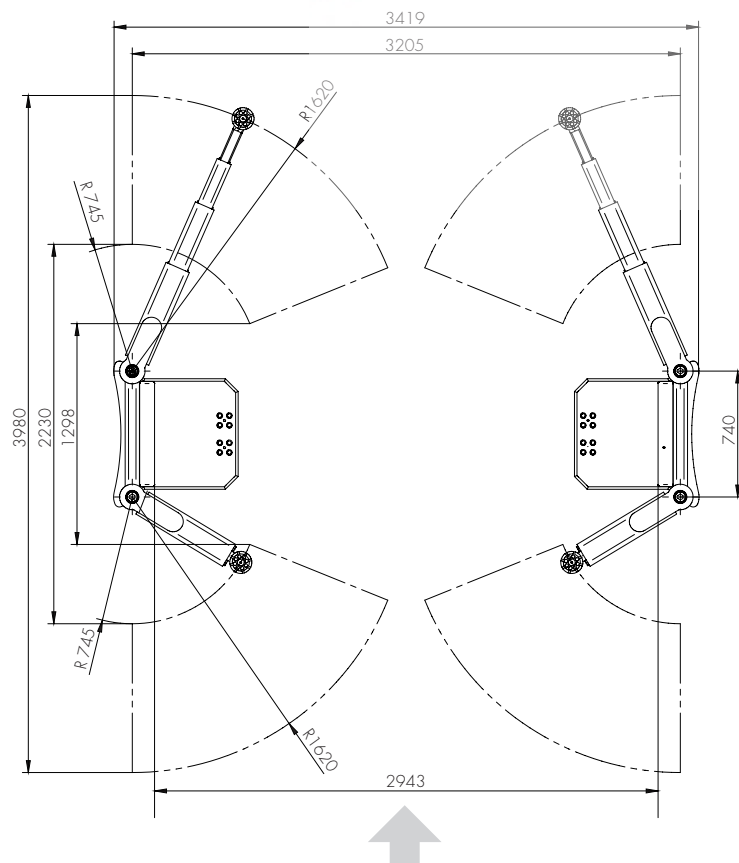


TECHNICAL DATA

capacity	6500 kg
lifting height	1800 mm
effective raise height	1914 mm
move in height	150 mm
piston diameter	123 mm
piston distance	1500 mm
installation depth	2443 mm
motor output	3,0 kW
power connector	400 V/16 A
cable length to control	8 m
lifting time	≈ 35 sec.
lowering time	≈ 35 sec.

Support Duplex 4.65	104919
Installation cassette STEEL 1500 mm	2030XX
Installation cassette STEEL 1500 mm galvanized	2031XX
Lifting unit oil 6,5 l Duplex 1500 mm - K pre-assembled in installation cassette	104954
Lifting unit oil 6,5 l Duplex 1500 mm - H packed in wooden box	104956

Duplex Lift 4.65 jumbo



TECHNICAL DATA

capacity	6500 kg
lifting height	1800 mm
effective raise height	1914 mm
move in height	150 mm
piston diameter	123 mm
piston distance	2285 mm
installation depth	2443 mm
motor output	3,0 kW
power connector	400 V/16 A
cable length to control	8 m
lifting time	≈ 35 sec.
lowering time	≈ 35 sec.

Support Duplex 4.65 jumbo	105737
Installation cassette STEEL 2285 mm	2020XX
Installation cassette STEEL 2285 mm galvanized	2021XX
Lifting unit oil 6,5 l Duplex 2285 mm - K pre-assembled in installation cassette	104955
Lifting unit oil 6,5 l Duplex 2285 mm - H packed in wooden box	104957

OPTIMAL FREE
SPACE AT YOUR
WORK STATION

THE CLASSIC LIFT
PERFECT FOR VEHICLE
BODY WORK AND
FOR WASHING BAYS

The logo for B!NGO features the letters 'B!NGO' in a bold, sans-serif font. The exclamation mark is replaced by a vertical stack of four horizontal bars. The 'O' is a hexagon. The logo is centered and overlaid on a light red, trapezoidal background element.

B!NGO

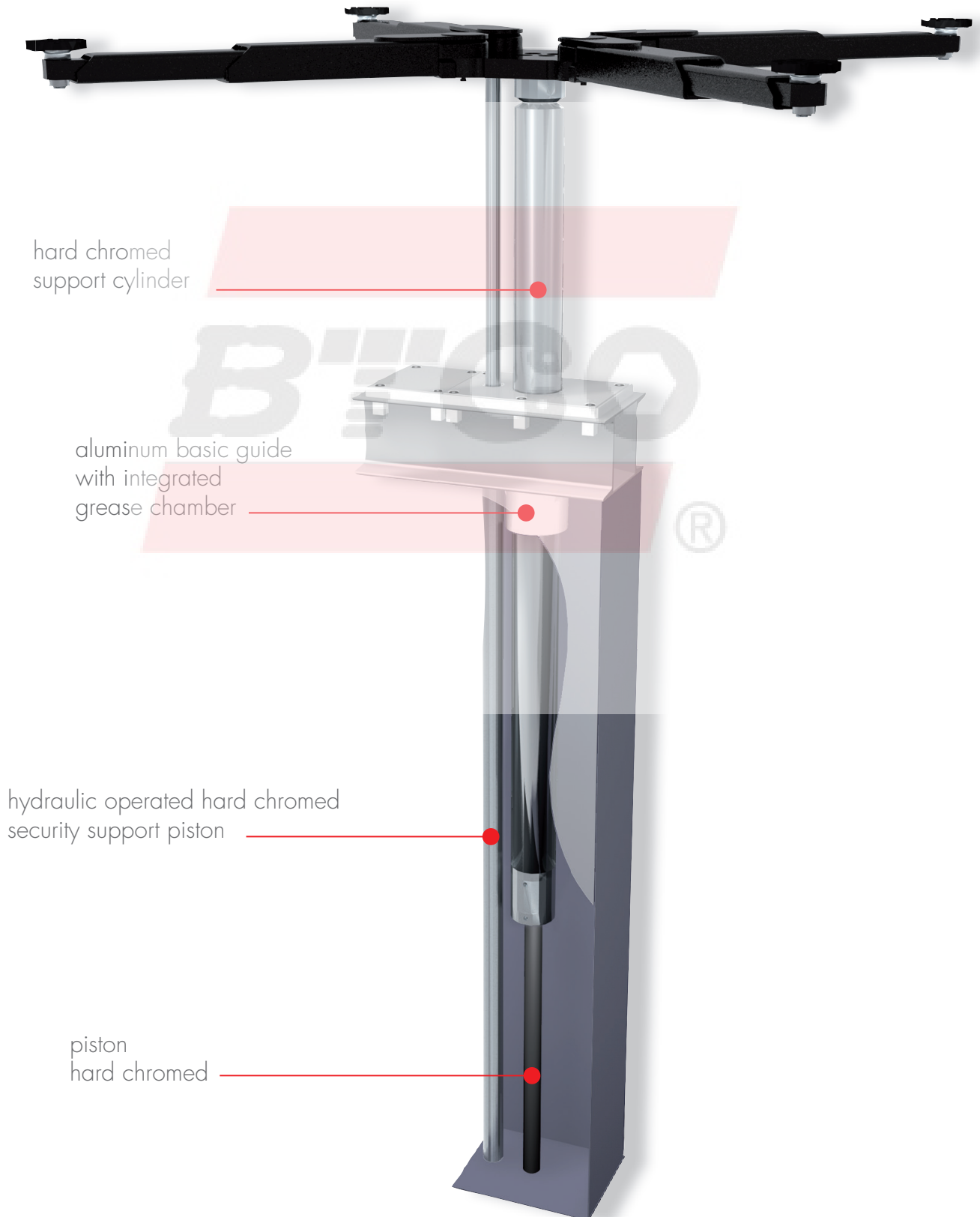
1-PISTON[®] LIFTS

TECHNICS

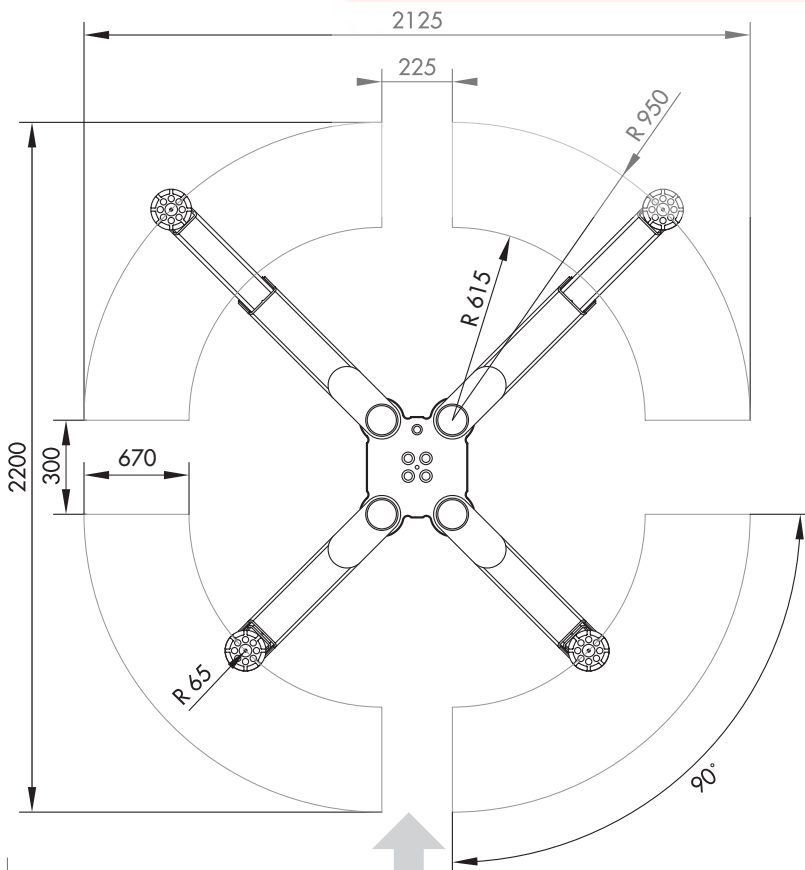
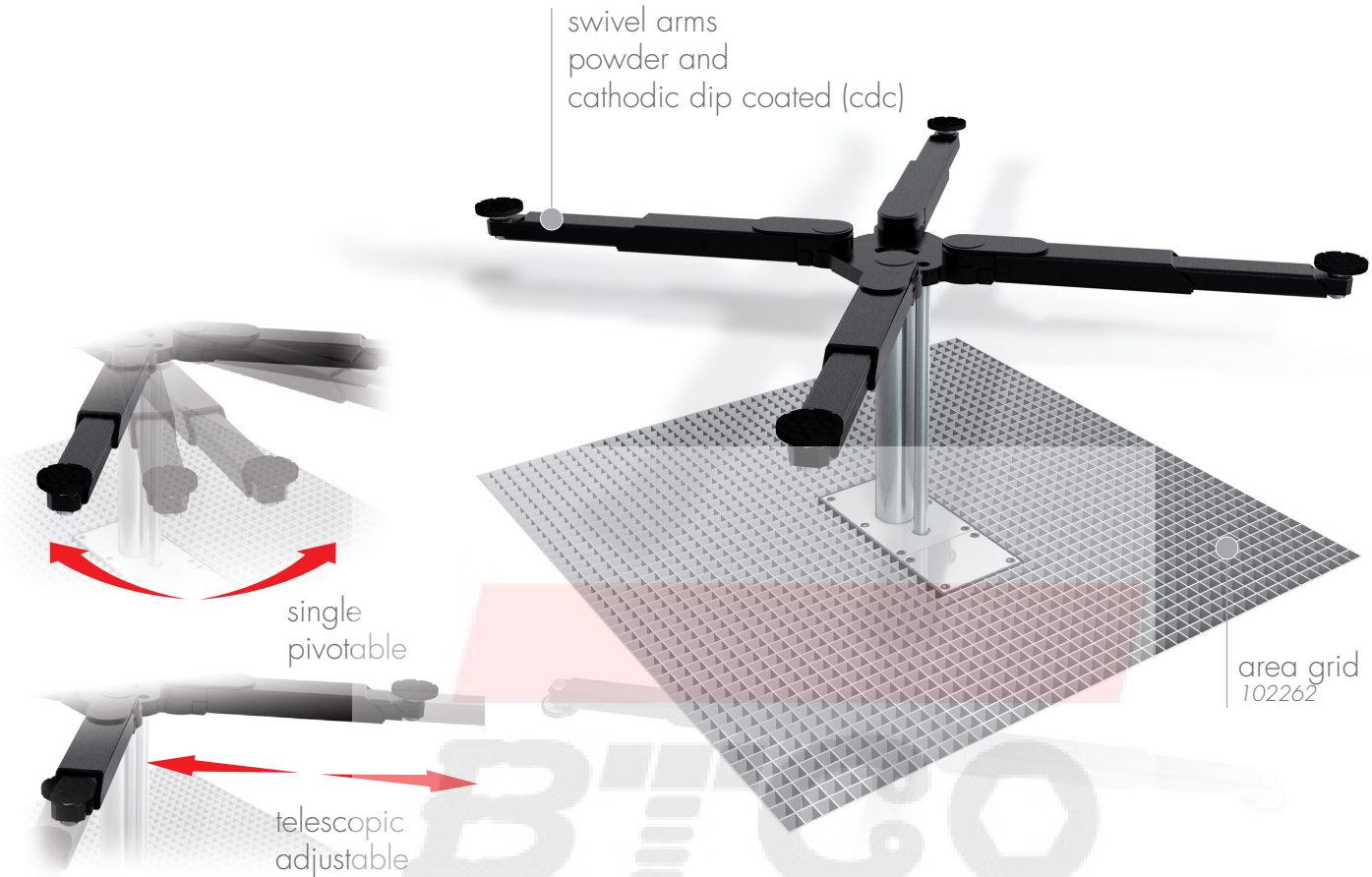
no electronic components
inside cassette

low noise drive by
submerged electric motor

simple operation by wall
mounted aggregate with
one-lever-control



Classic Lift 1.35 X

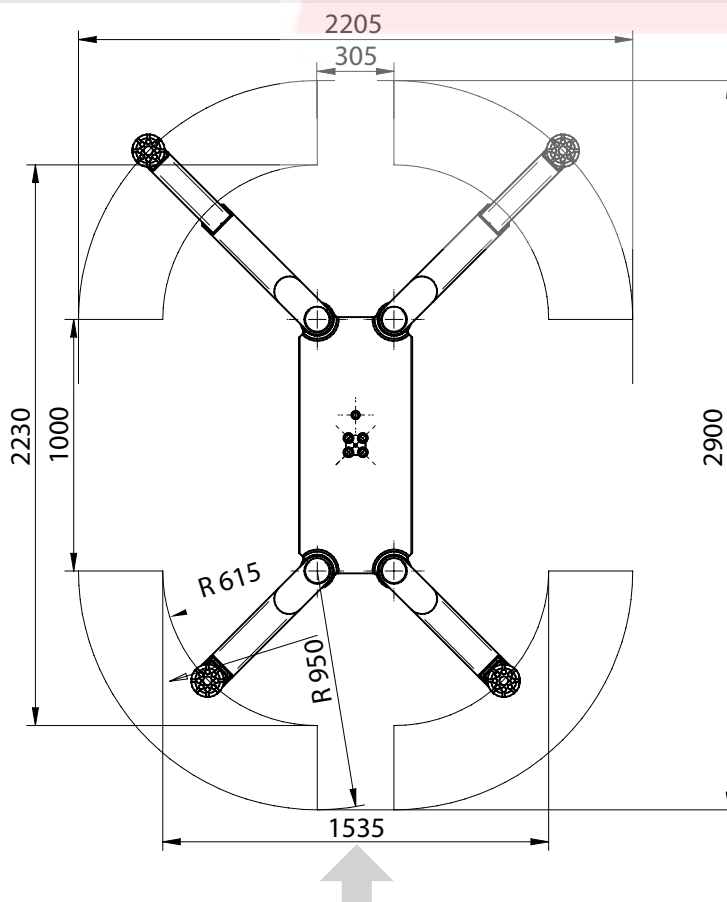


TECHNICAL DATA

capacity	3500 kg
lifting height	1800 mm
effective raise height	1895 mm
move in height	98 mm
piston diameter	123 mm
installation depth	2383 mm
motor output	3,0 kW
power connector	400 V/16 A
cable length to control	8 m
lifting time	≈ 35 sec.
lowering time	≈ 35 sec.

Support Classic 1.35 X	102676
Installation cassette 1-piston STEEL	2040XX
Installation cassette 1-piston STEEL galvanized	2041XX
Lifting unit oil 3,5 l 1-piston - K pre-assembled in installation cassette	104915
Lifting unit oil 3,5 l 1-piston - H packed in wooden box	104916

Classic Lift 1.35 X maxi

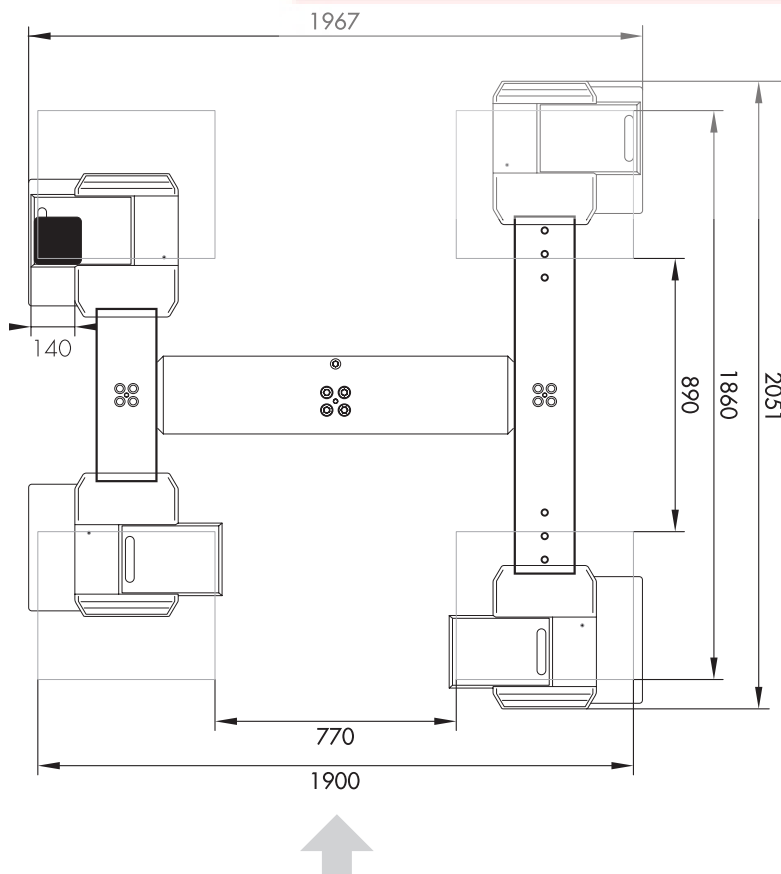
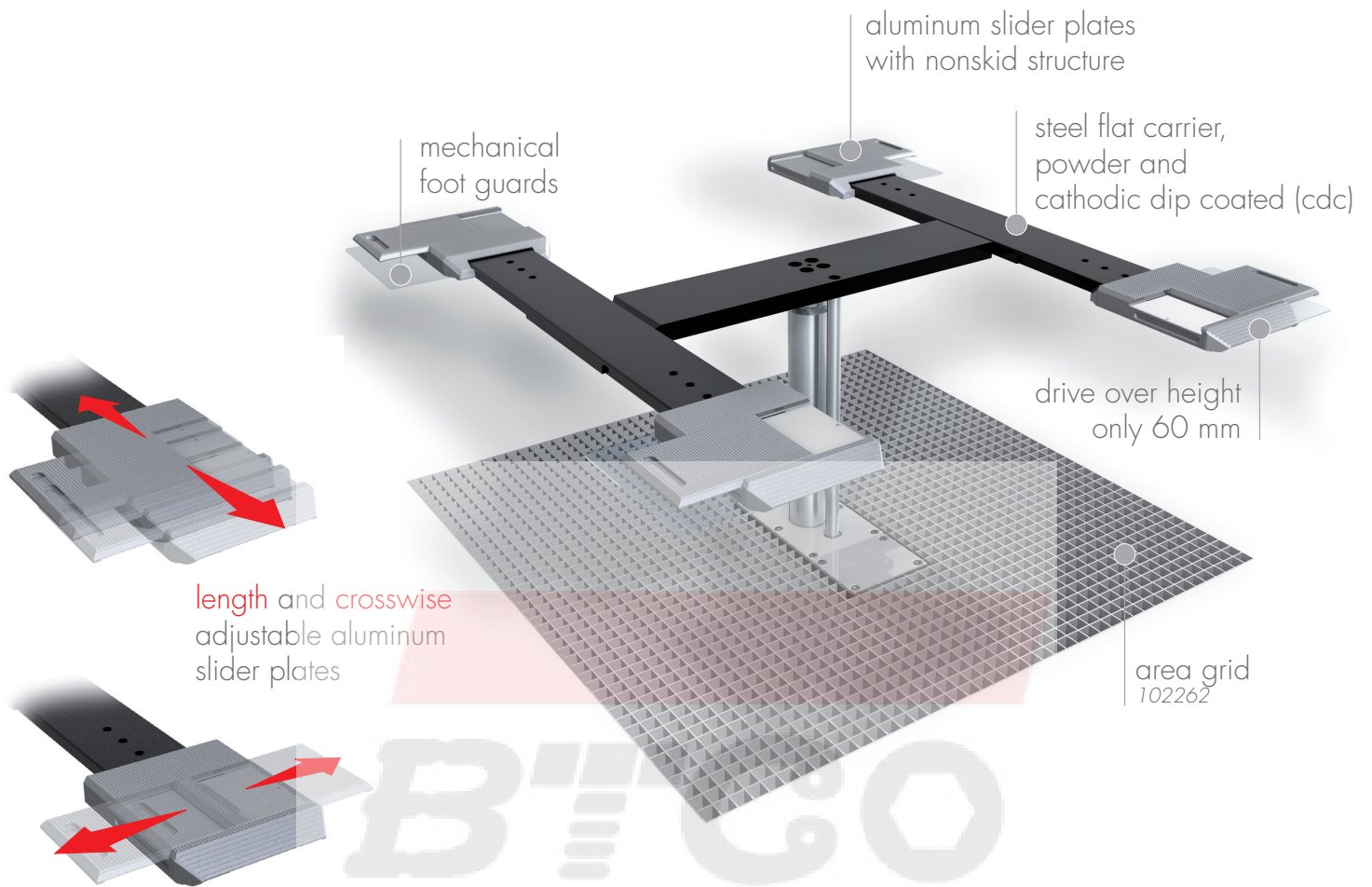


TECHNICAL DATA

capacity	3500 kg
lifting height	1800 mm
effective raise height	1895 mm
move in height	98 mm
piston diameter	123 mm
installation depth	2383 mm
motor output	3,0 kW
power connector	400 V/16 A
cable length to control	8 m
lifting time	≈ 35 sec.
lowering time	≈ 35 sec.

Support Classic 1.35 X maxi	105055
Installation cassette 1-piston STEEL	2040XX
Installation cassette 1-piston STEEL galvanized	2041XX
Lifting unit oil 3,5 l 1-piston - K pre-assembled in installation cassette	104915
Lifting unit oil 3,5 l 1-piston - H packed in wooden box	104916

Classic Lift 1.35 H plus

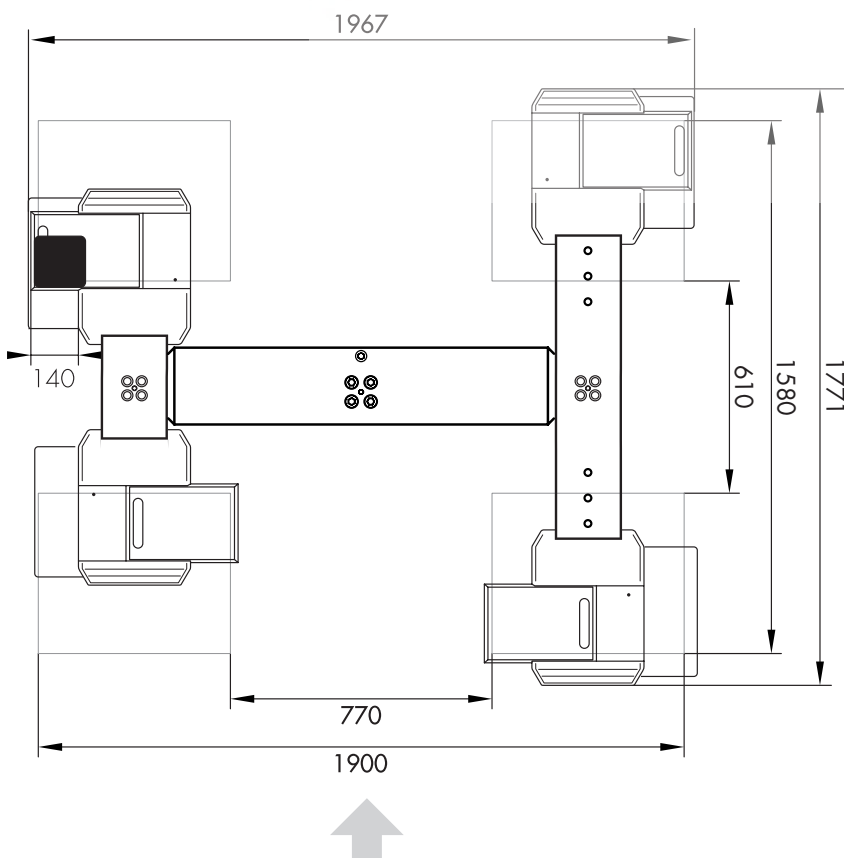
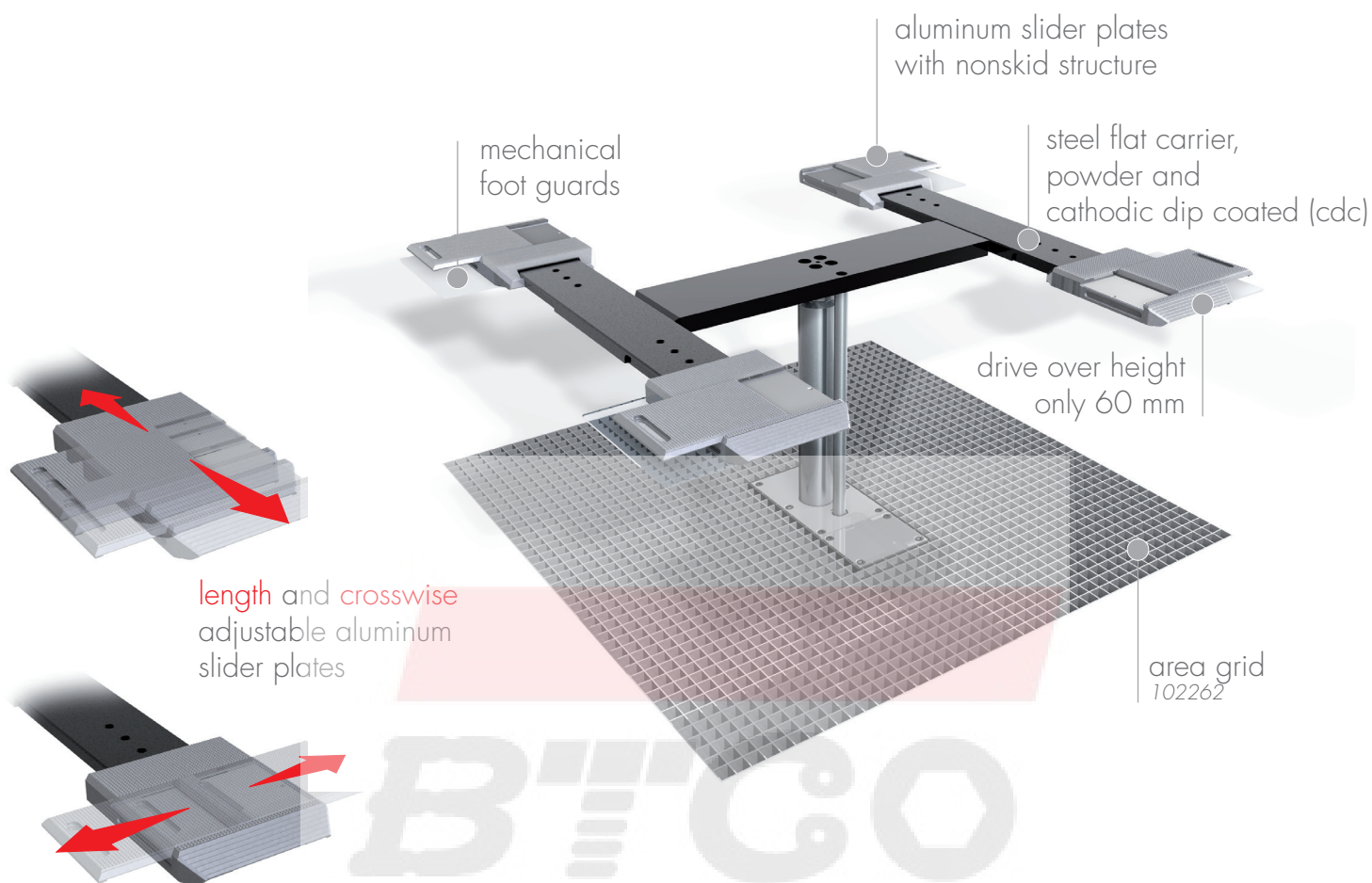


TECHNICAL DATA

capacity	3500 kg
lifting height	1800 mm
effective raise height	1860 mm
drive over height	60 mm
piston diameter	123 mm
installation depth	2383 mm
motor output	3,0 kW
power connector	400 V/16 A
cable length to control	8 m
lifting time	≈ 35 sec.
lowering time	≈ 35 sec.

Support Classic 1.35 H plus	102689
Installation cassette 1-piston STEEL	2040XX
Installation cassette 1-piston STEEL galvanized	2041XX
Lifting unit oil 3,5 l 1-piston - K pre-assembled in installation cassette	104915
Lifting unit oil 3,5 l 1-piston - H packed in wooden box	104916

Classic Lift 1.35 H plus mini

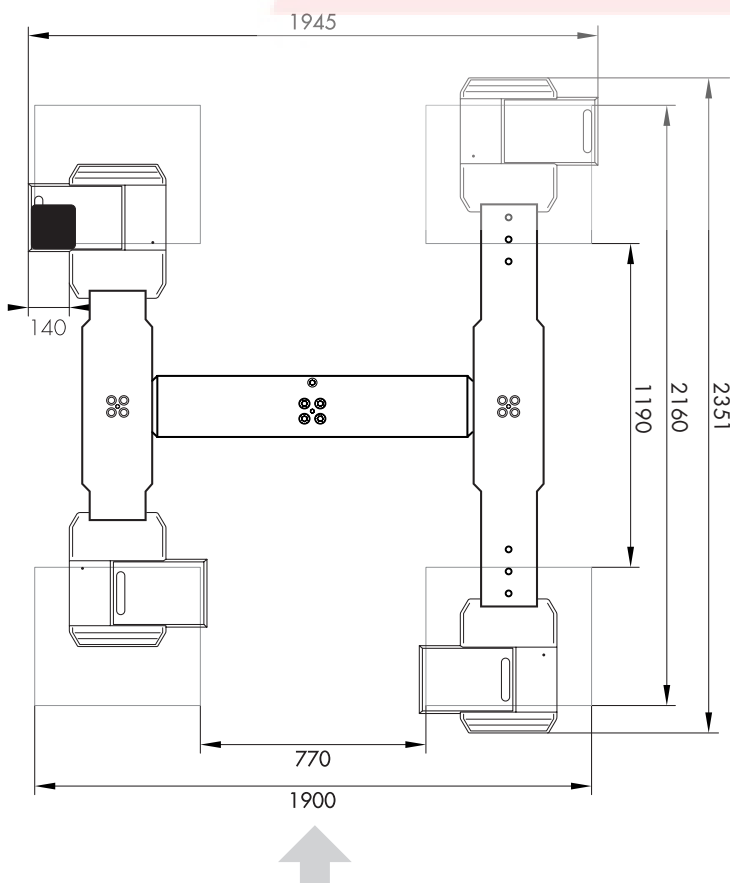
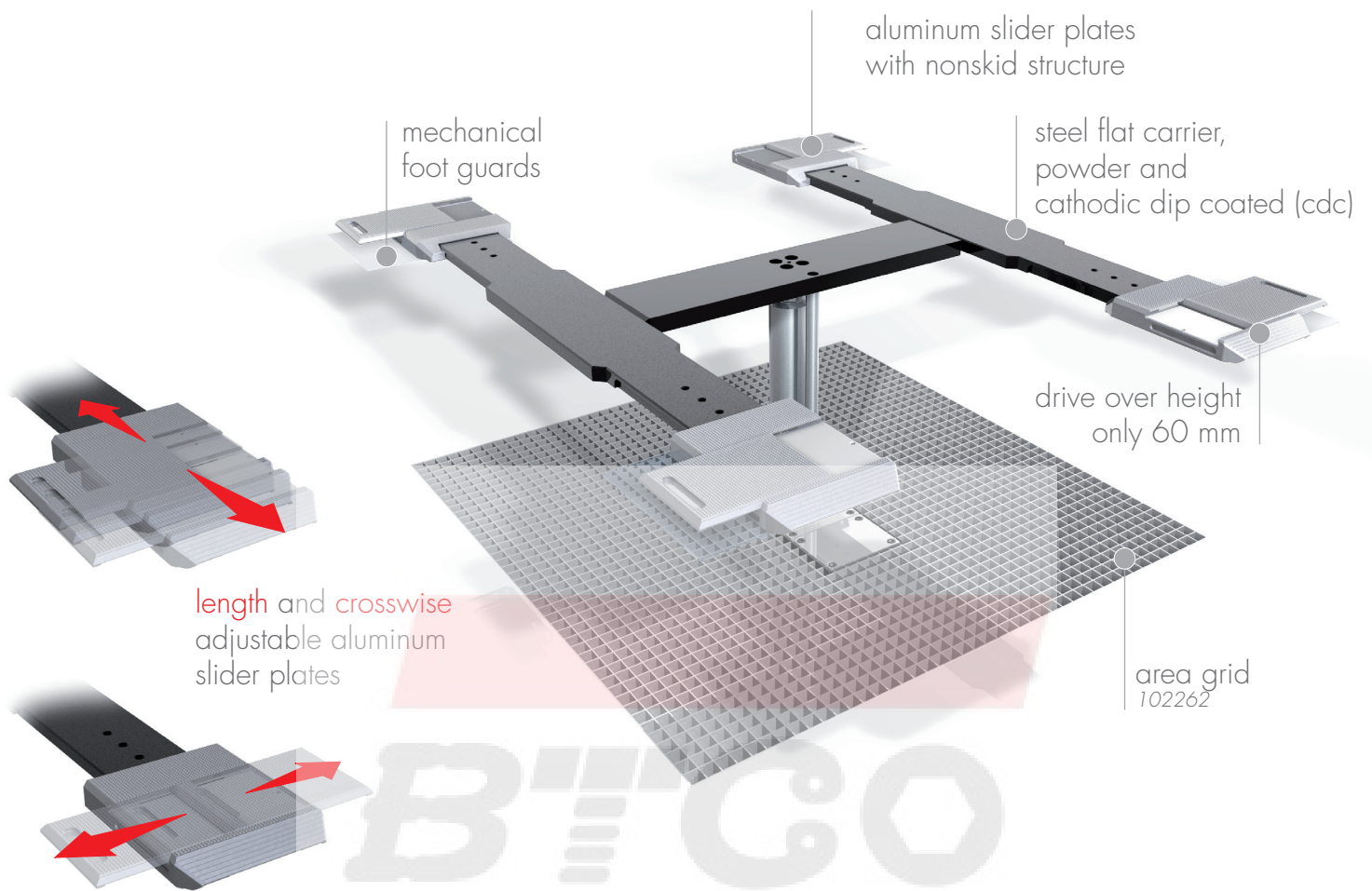


TECHNICAL DATA

capacity	3500 kg
lifting height	1800 mm
effective raise height	1860 mm
drive over height	60 mm
piston diameter	123 mm
installation depth	2383 mm
motor output	3,0 kW
power connector	400 V/16 A
cable length to control	8 m
lifting time	≈ 35 sec.
lowering time	≈ 35 sec.

Support Classic 1.35 H plus mini	105056
Installation cassette 1-piston STEEL	2040XX
Installation cassette 1-piston STEEL galvanized	2041XX
Lifting unit oil 3,5 l 1-piston - K pre-assembled in installation cassette	104915
Lifting unit oil 3,5 l 1-piston - H packed in wooden box	104916

Classic Lift 1.35 H plus maxi



TECHNICAL DATA

capacity	3500 kg
lifting height	1800 mm
effective raise height	1860 mm
drive over height	60 mm
piston diameter	123 mm
installation depth	2383 mm
motor output	3,0 kW
power connector	400 V/16 A
cable length to control	8 m
lifting time	≈ 35 sec.
lowering time	≈ 35 sec.

Support Classic 1.35 H plus maxi	105057
Installation cassette 1-piston STEEL	2040XX
Installation cassette 1-piston STEEL galvanized	2041XX
Lifting unit oil 3,5 l 1-piston - K pre-assembled in installation cassette	104915
Lifting unit oil 3,5 l 1-piston - H packed in wooden box	104916

PERFECT SOLUTION
FOR LOW INSTALLATION
DEPTH REQUIREMENTS

IDEAL FOR CEILING
INSTALLATION OR
DIFFICULT GROUND
CONDITIONS

The logo for B!NGO, featuring the letters 'B', '!', 'N', 'G', and 'O' in a stylized, bold font. The '!' is replaced by a vertical bar with horizontal lines. The logo is centered and partially overlaid by a red trapezoidal shape.A large, light red trapezoidal shape that tapers from top to bottom, serving as a background for the main text.

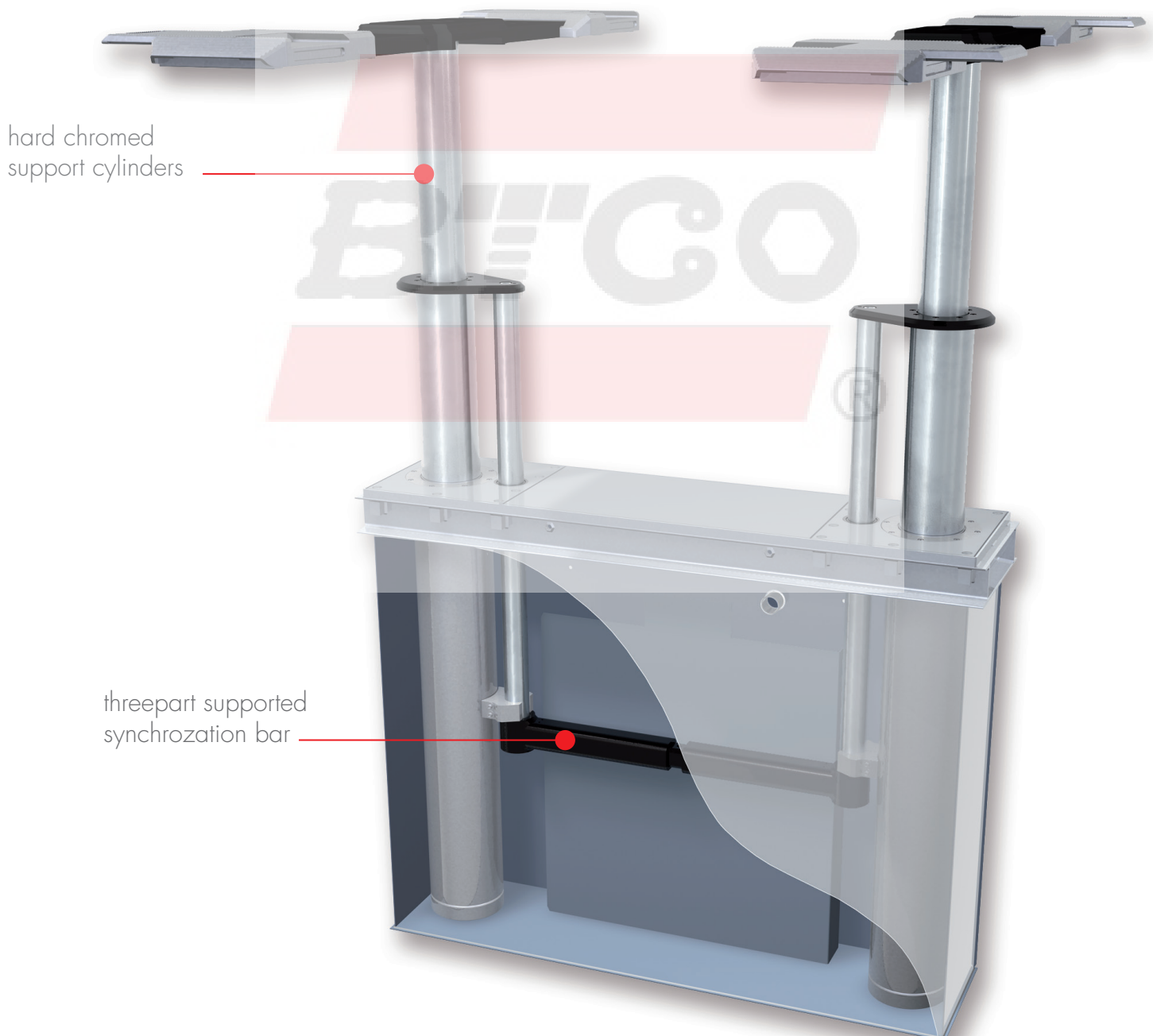
TELESCOPE[®] LIFTS

TECHNICS

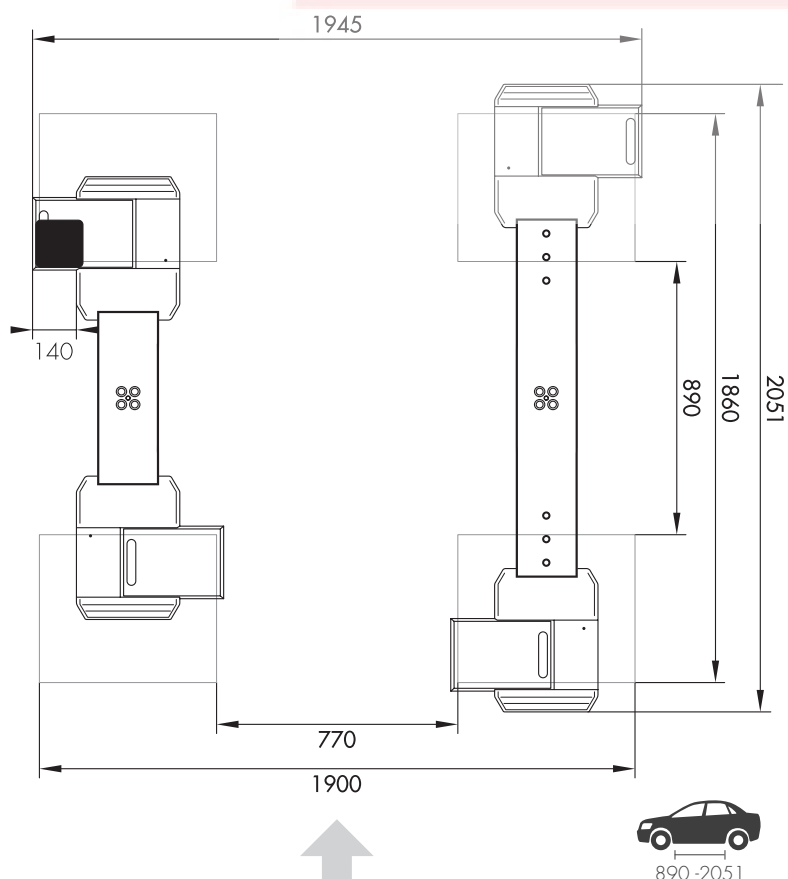
electronic lift-control
with non-contacting end switch

acoustic and visual
error display

simple operation via
foil keyboard



Uni Lift 2.35 plus Telescope

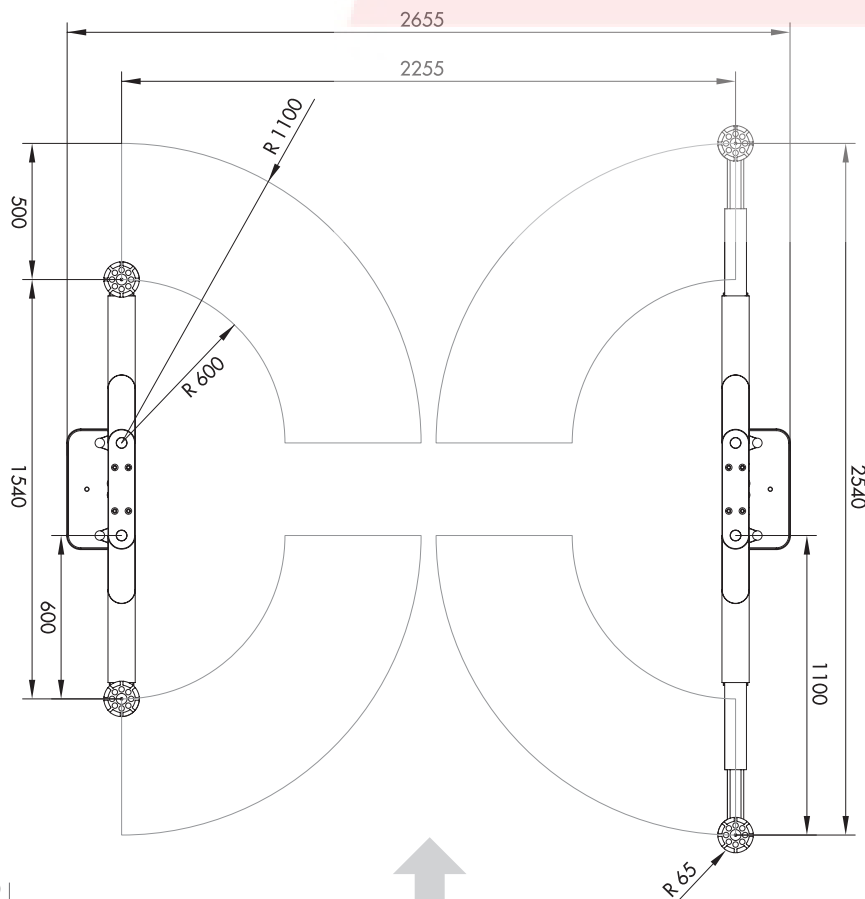


TECHNICAL DATA

capacity	3500 kg
lifting height	1860 mm
effective raise height	1920 mm
drive over height	60 mm
piston diameter	120/160 mm
piston distance	1335 mm
installation depth	1328 mm
motor output	3,0 kW
power connector	400 V/16 A
cable length to control	8 m
lifting time	≈ 35 sec.
lowering time	≈ 35 sec.

Support Uni 2.35 plus Telescope	105027
Installation cassette STEEL 1335 mm Telescope	2170XX
Installation cassette STEEL 1335 mm galvanized Telescope	2171XX
Lifting unit oil Telescope 3,5 t 1335 mm - K pre-assembled in installation cassette	105434
Lifting unit oil Telescope 3,5 t 1335 mm - H packed in wooden box	105435

Schwenkarm Lift 2.35-2685 Telescope

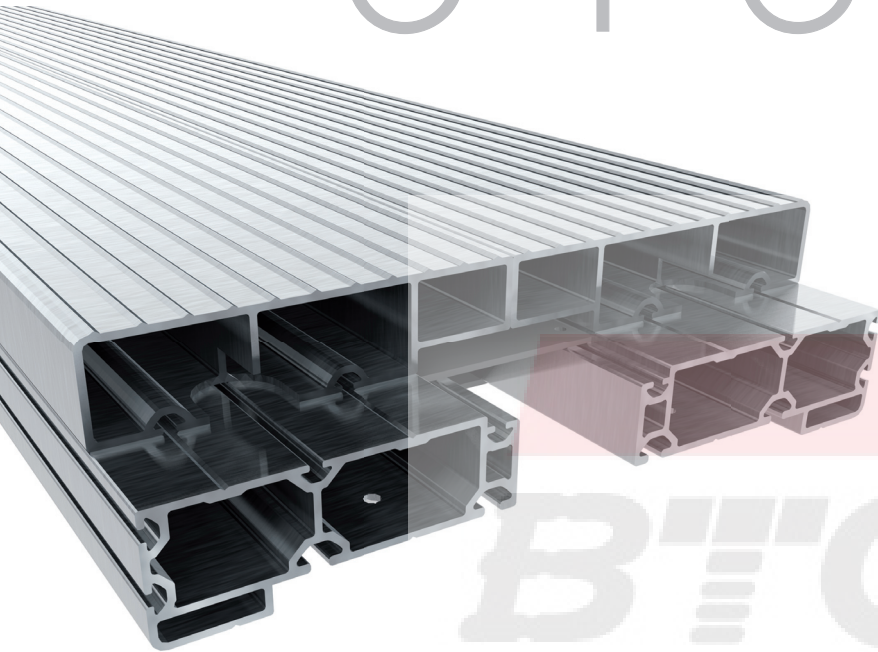


TECHNICAL DATA

capacity	3500 kg
lifting height	1860 mm
effective raise height	1920 mm
move in height	98 mm
piston diameter	120/160 mm
piston distance	2685 mm
installation depth	1328 mm
motor output	3,0 kW
power connector	400 V/16 A
cable length to control	8 m
lifting time	≈ 35 sec.
lowering time	≈ 35 sec.

Support Schwenkarm 2.35 Telescope	105474
Installation cassette STEEL 2685 mm Telescope	2180XX
Installation cassette STEEL 2685 mm galvanized Telescope	2181XX
Lifting unit oil Telescope 3,5 l 2685 mm - K pre-assembled in installation cassette	105436
Lifting unit oil Telescope 3,5 l 2685 mm - H packed in wooden box	105437

ALU TRACK SYSTEM



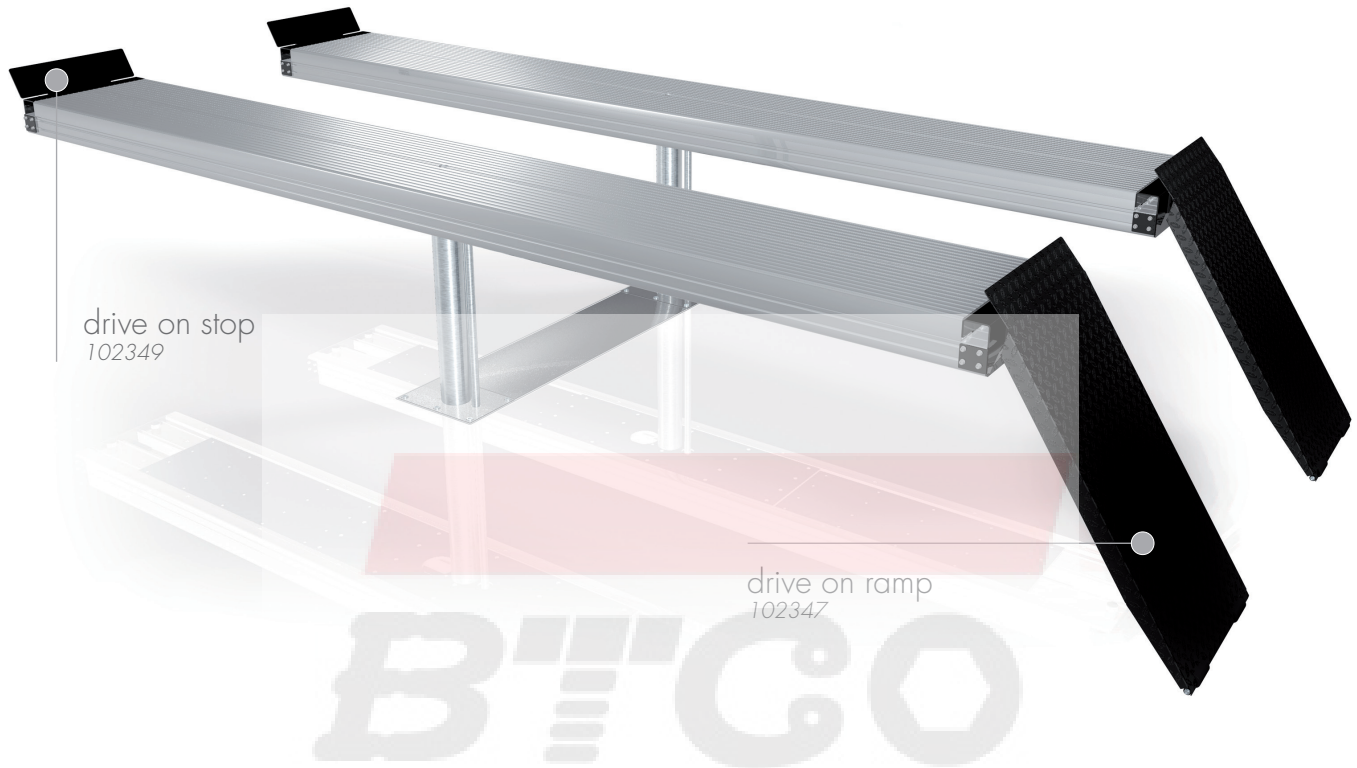
as well as its subsequent adaptability. Wheel alignments are possible in the 100 mm grid while keeping the same precision. Special accessories like wheel alignment adapters, sockets for the power supply and the wheel alignment technology, lighting, wheel free jack and tracks and other materials are easily adapted and fitted at a later time due to the sophisticated mounting rails and the hollow system.

Modern motor vehicles with increasingly demanding driveline and steering geometries, also place increasingly higher demands on the workshop equipment with regards to precision, efficiency, durability, and impression. The Alu Track platform is the innovative answer to today's new requirements placed on the indispensable platform lifts, especially for modern wheel alignment techniques by professional users.

The Alu Track platform consists of precisely prefabricated aluminum profiles and steel elements which are combined in a modular construction system, without any welding yet form stable, held together by friction locked screws. Not using any welding work whatsoever as well as the sturdy form stable aluminum profiles and the high strength steel elements enable unprecedented precision and sustainable dimensional stability.

The elegant surface structure together with the corrosion resistant anodized surface gives the platforms a high quality and reliable appearance. The Alu Track platform fulfills the most stringent requirements of motor vehicle manufacturers and is laid out to meet future requirements due to its different variation possibilities

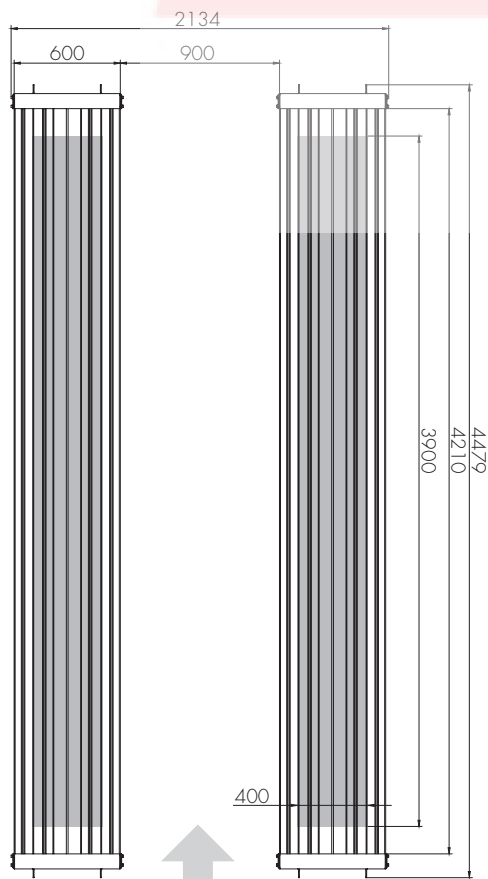
Alu Track Lift 2.35



drive on stop
102349

drive on ramp
102347

BOLTSANDTOOLS

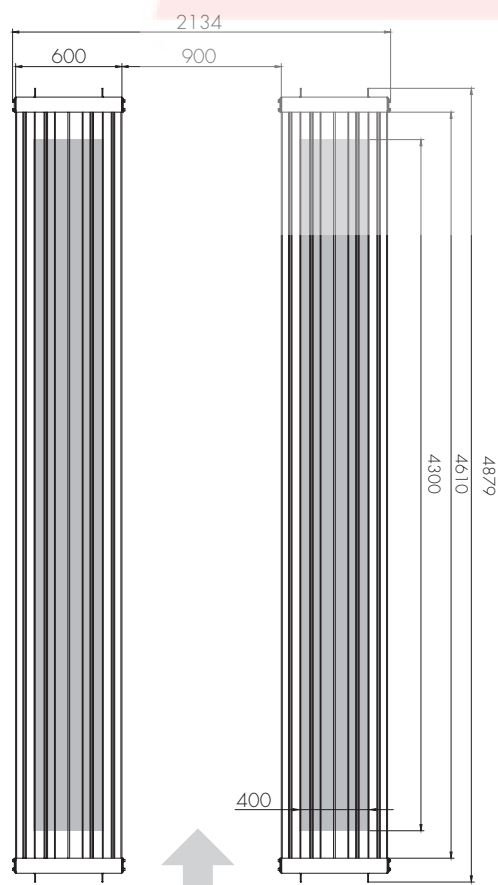
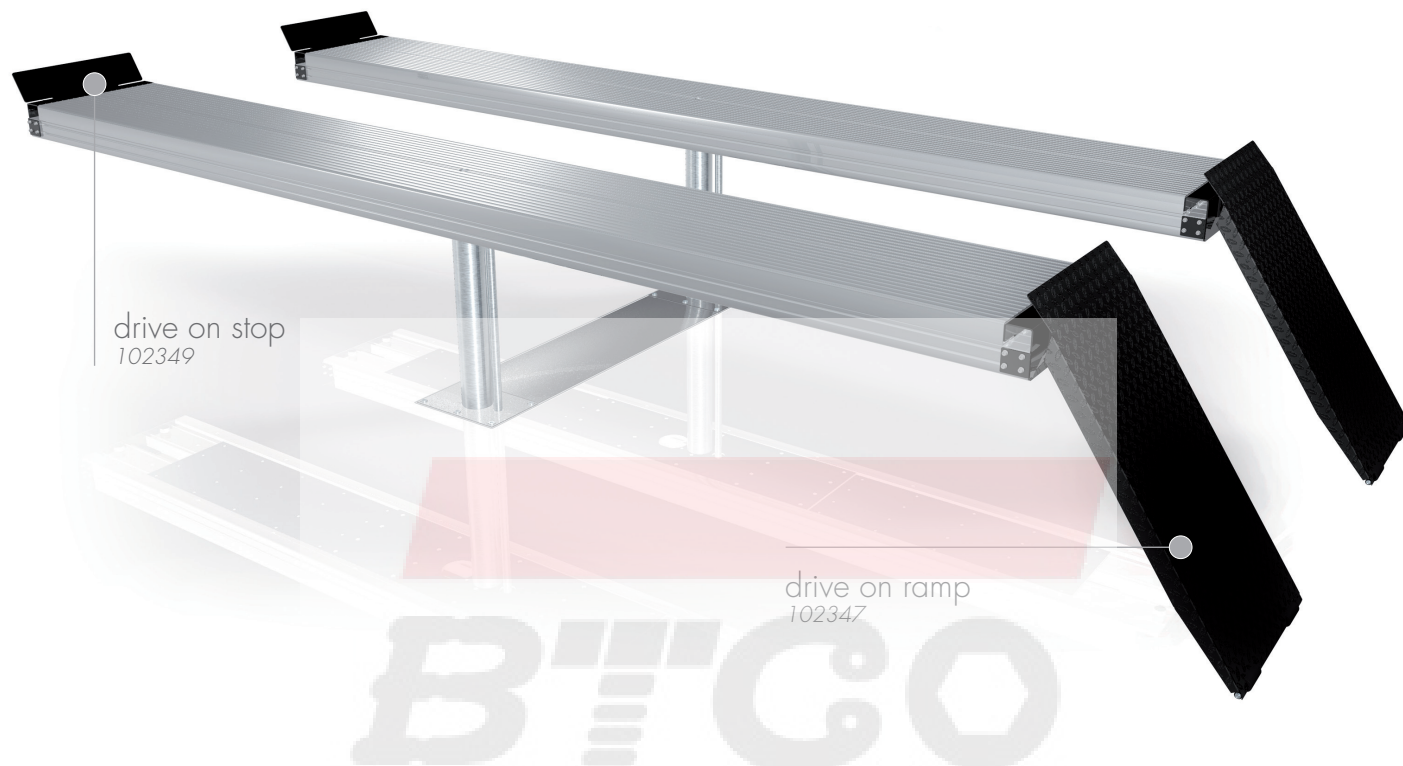


TECHNICAL DATA

capacity	3500 kg
lifting height	1860 mm
effective raise height	2020 mm
platform length	4400 mm
platform height	180 mm
piston diameter	123 mm
piston distance	1500 mm
installation depth	2443 mm
motor output	3,0 kW
power connector	400 V/16 A
cable length to control	8 m
lifting time	≈ 35 sec.
lowering time	≈ 35 sec.

Platform support Alu Track 2.35	102698
Installation cassette STEEL 1500 mm	2030XX
Installation cassette STEEL 1500 mm galvanized	2031XX
Lifting unit oil 3,5 l 1500 mm - K	104958
pre-assembled in installation cassette	
Lifting unit oil 3,5 l 1500 mm - H	104959
packed in wooden box	

Alu Track Lift 2.50

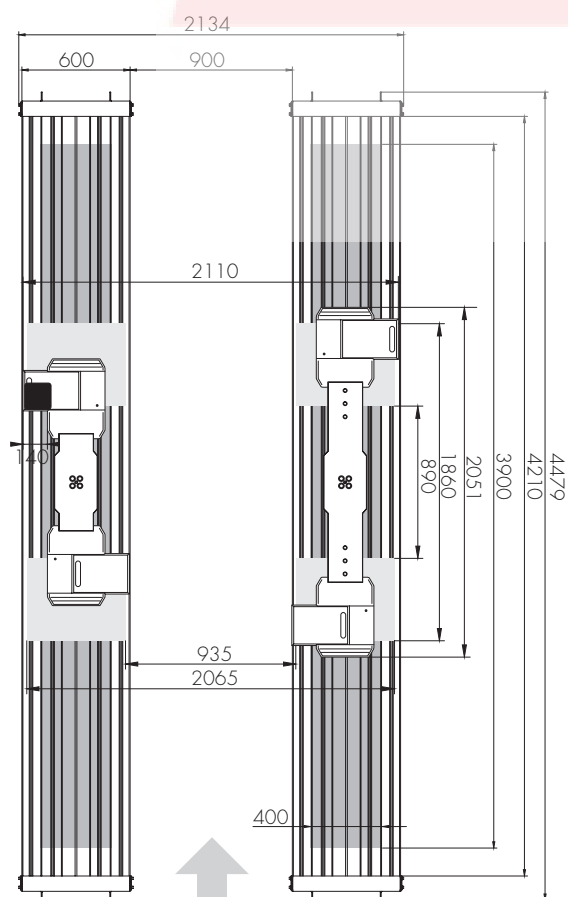
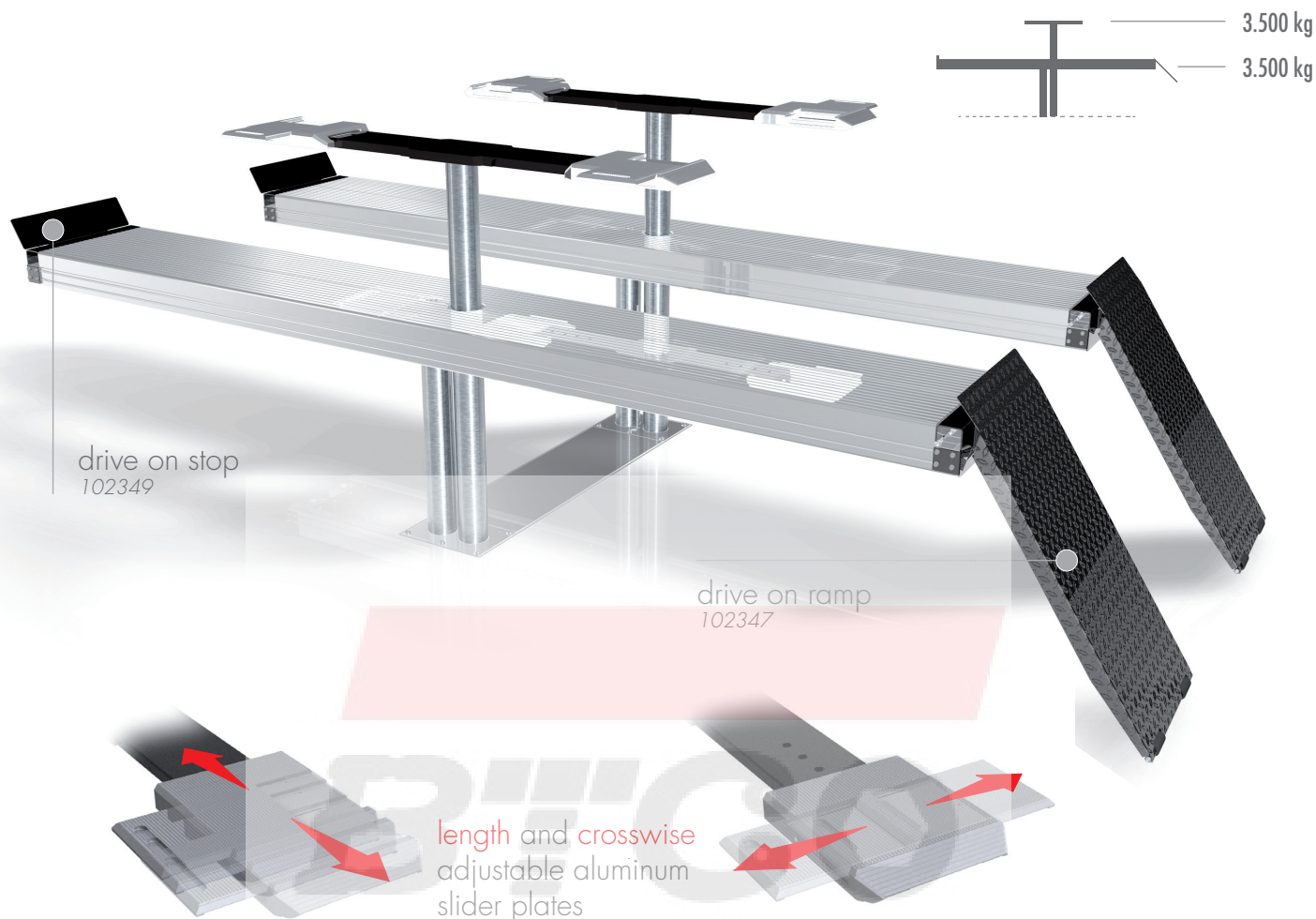


TECHNICAL DATA

capacity	5000 kg
lifting height	1860 mm
effective raise height	2020 mm
platform length	4800 mm
platform height	180 mm
piston diameter	123 mm
piston distance	1500 mm
installation depth	2443 mm
motor output	3,0 kW
power connector	400 V/16 A
cable length to control	8 m
lifting time	≈ 35 sec.
lowering time	≈ 35 sec.

Platform support Alu Track 2.50	104980
Installation cassette STEEL 1500 mm	2030XX
Installation cassette STEEL 1500 mm galvanized	2031XX
Lifting unit oil 5,0 t 1500 mm - K pre-assembled in installation cassette	104960
Lifting unit oil 5,0 t 1500 mm - H packed in wooden box	104961

Alu Track Lift 2.35 Duplo Uni plus

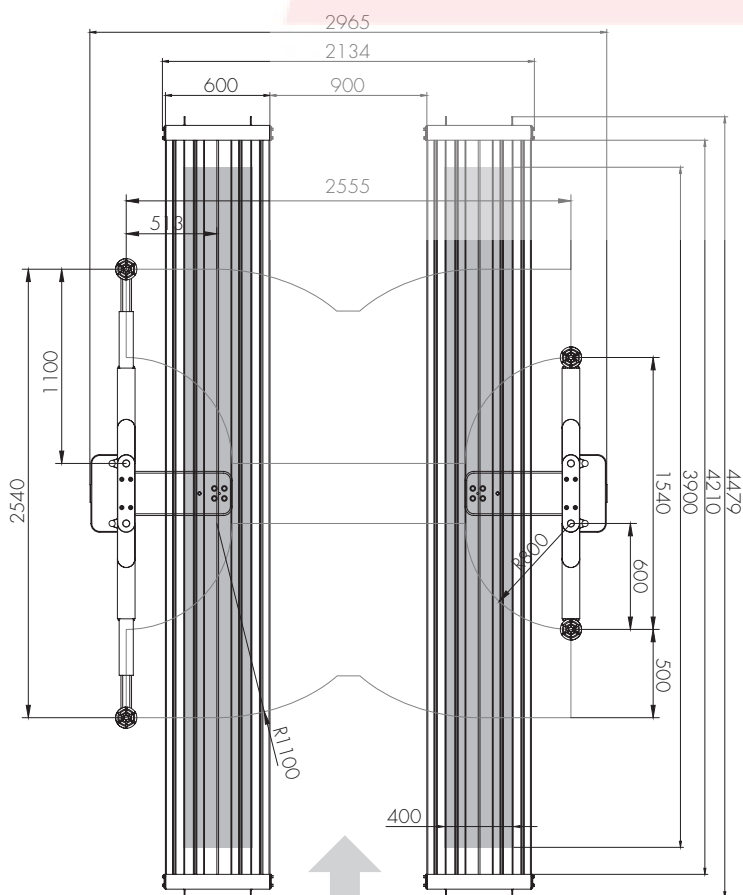
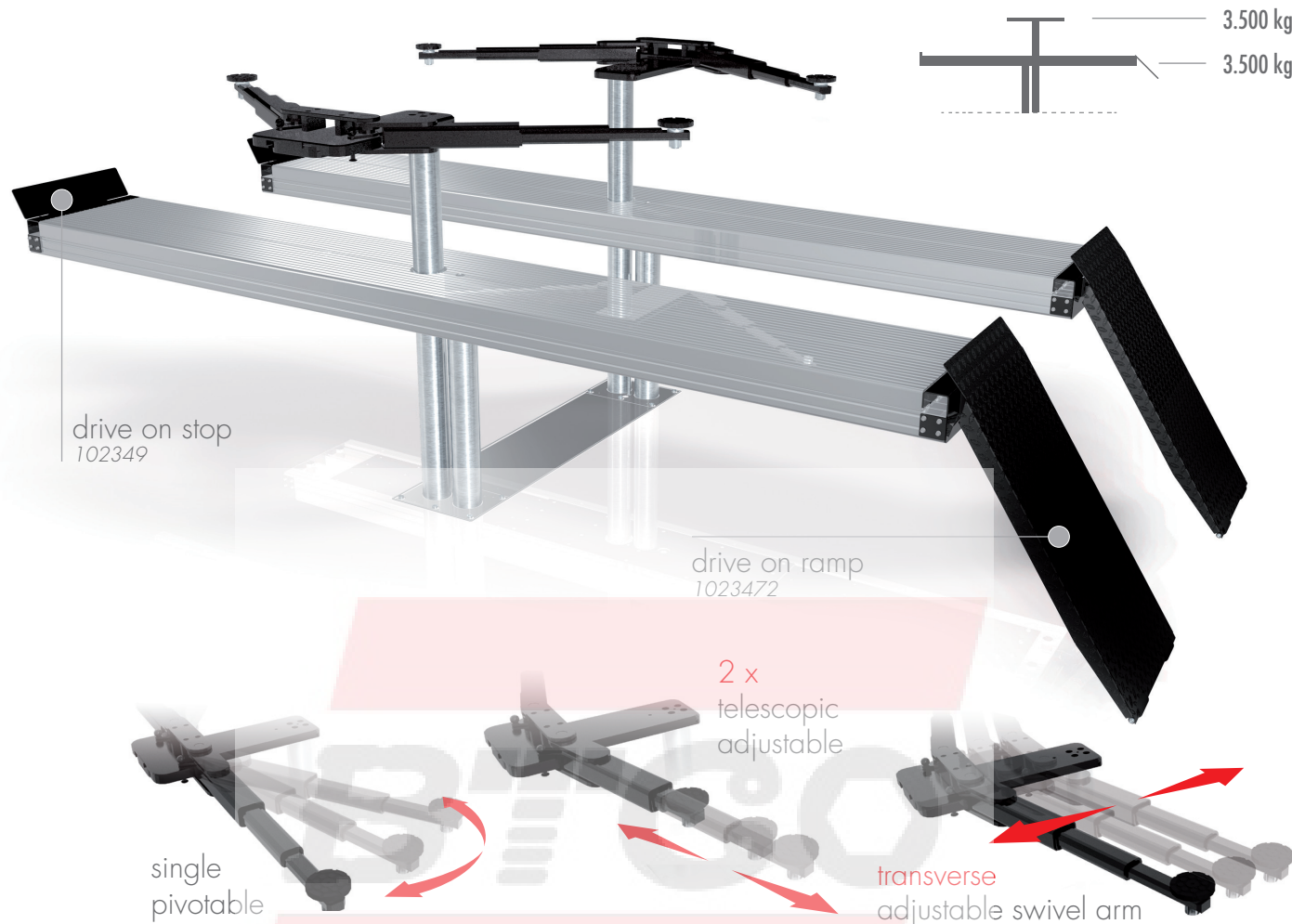


TECHNICAL DATA

capacity	3500 kg
wheel free lift	3500 kg
lifting height	1860 mm
lifting height wheel free unit	2045 mm
platform length	4400 mm
platform height	180 mm
drive over height wheel free unit	60 mm
piston diameter	123 mm
piston distance	1500 mm
installation depth	2443 mm
motor output	3,0 kW
power connector	400 V/16 A
cable length to control	8 m
lifting time	≈ 35 sec.
lowering time	≈ 35 sec.

Platform support Alu Track 2.35	102706
Support Uni 2.35 plus	102640
Installation cassette STEEL 1500 mm	2190XX
Installation cassette STEEL 1500 mm galvanized	2191XX
Lifting unit oil 3,5 t Duplo 1500 mm - K pre-assembled in installation cassette	104962
Lifting unit oil 3,5 t Duplo 1500 mm - H packed in wooden box	104963

Alu Track Lift 2.35 Duplo Vario

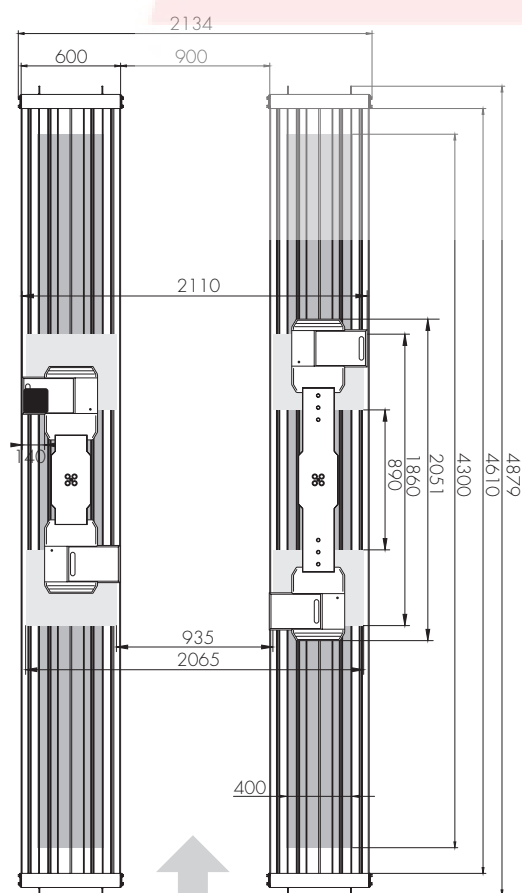
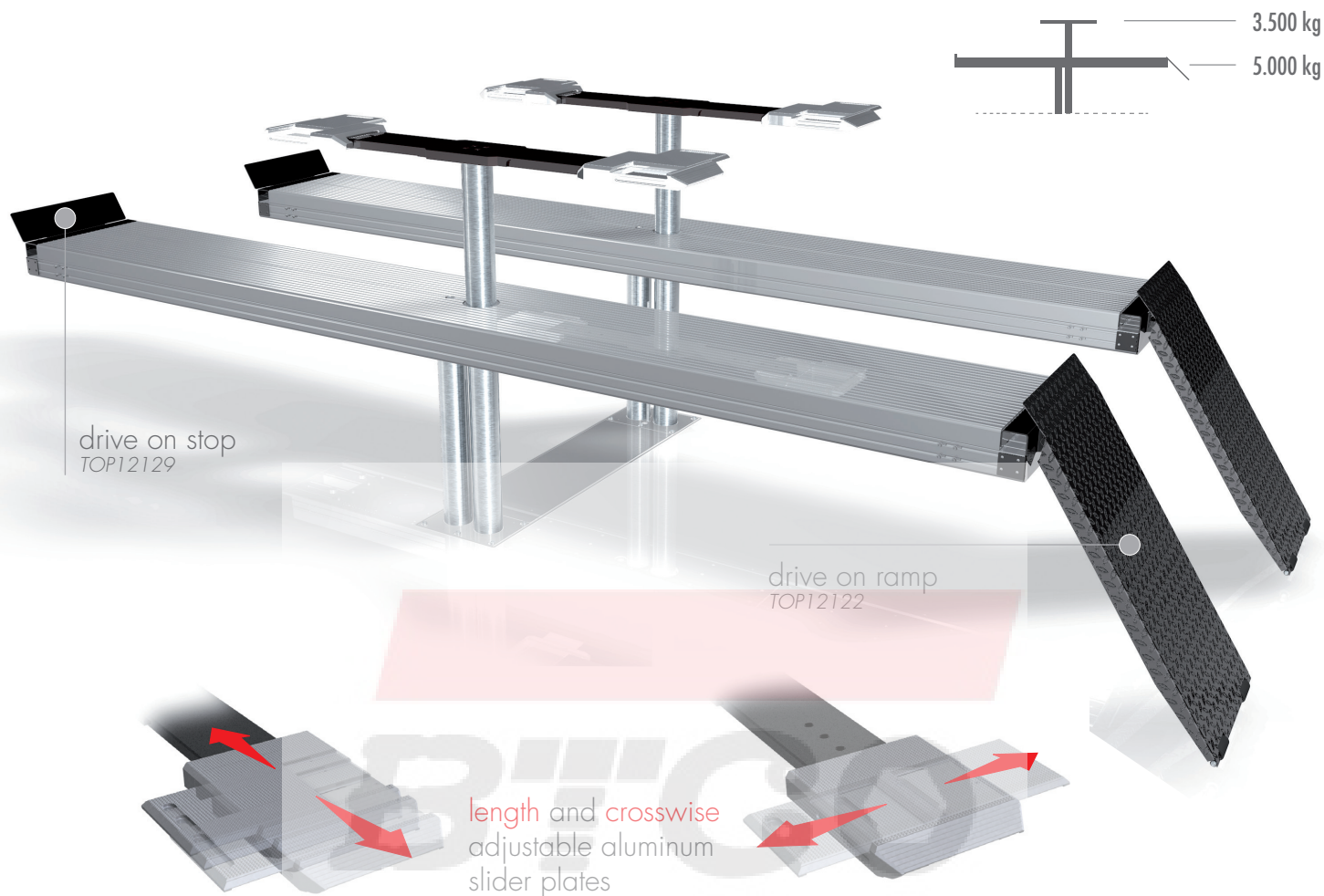


TECHNICAL DATA

capacity	3500 kg
wheel free lift	3500 kg
lifting height	1860 mm
lifting height wheel free unit	2045 mm
platform length	4400 mm
platform height	180 mm
move in height wheel free unit	96 mm
piston diameter	123 mm
piston distance	1500 mm
installation depth	2443 mm
motor output	3,0 kW
power connector	400 V/16 A
cable length to control	8 m
lifting time	≈ 35 sec.
lowering time	≈ 35 sec.

Platform support Alu Track 2.35	102706
Support Vario 2.35	102647
Installation cassette STEEL 1500 mm	2190XX
Installation cassette STEEL 1500 mm galvanized	2191XX
Lifting unit oil 3,5 l Duplo 1500 mm - K pre-assembled in installation cassette	104962
Lifting unit oil 3,5 l Duplo 1500 mm - H packed in wooden box	104963

Alu Track Lift 2.50 Duplo Uni plus

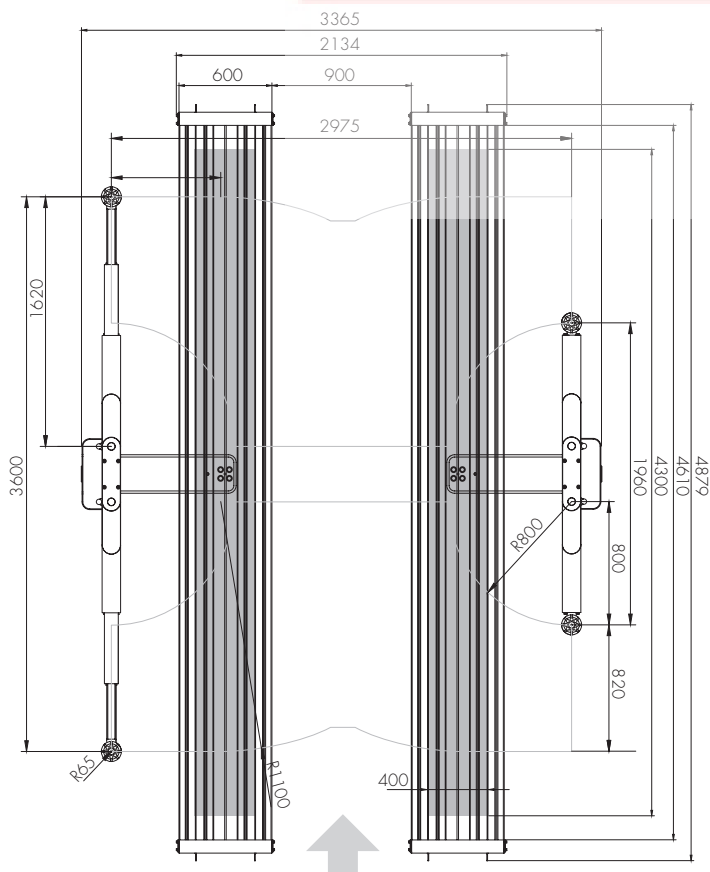
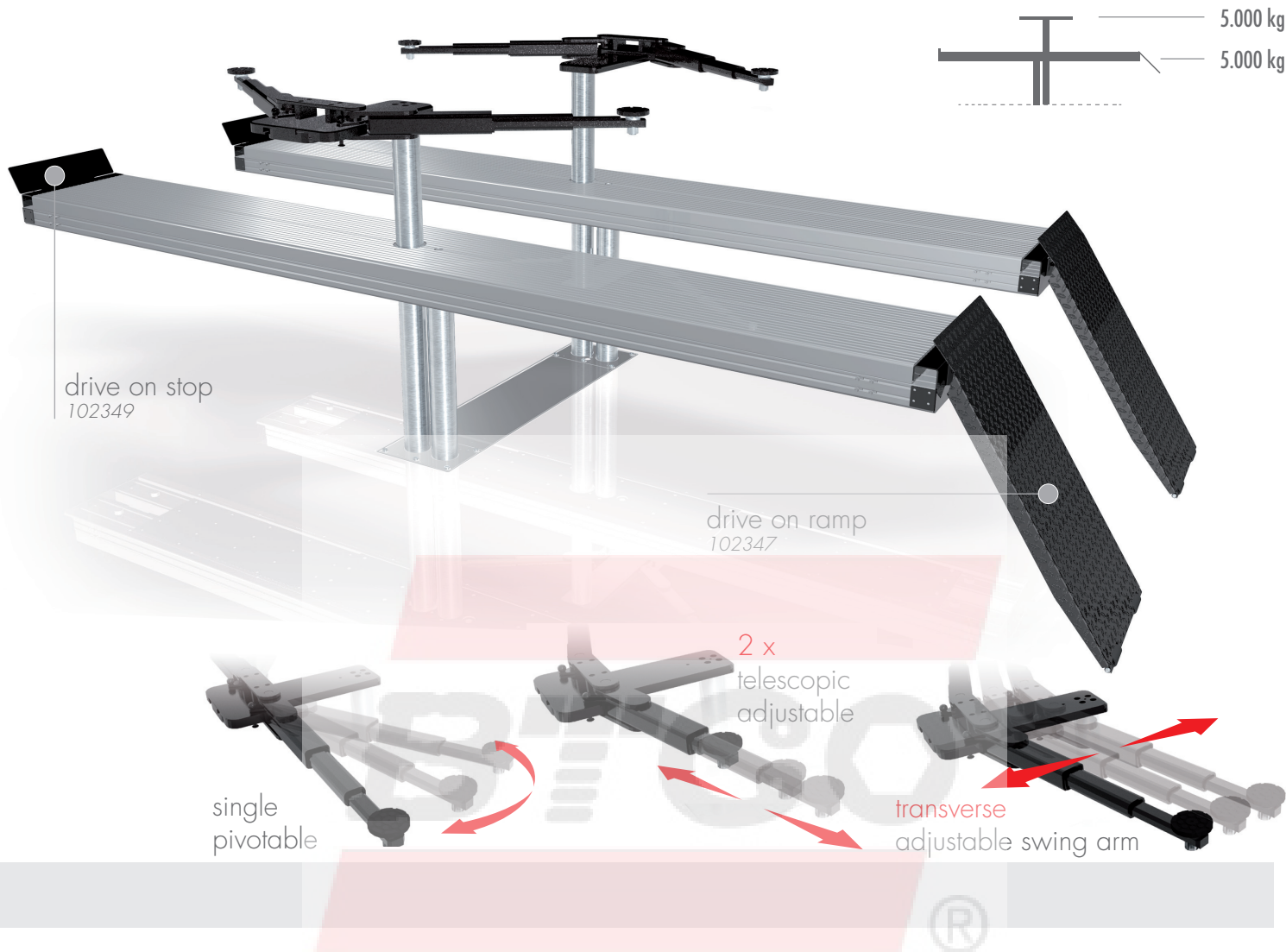


TECHNICAL DATA

capacity	5000 kg
wheel free lift	3500 kg
lifting height	1860 mm
lifting height wheel free unit	2035 mm
platform length	4800 mm
platform height	180 mm
drive over height wheel free unit	60 mm
piston diameter	123 mm
piston distance	1500 mm
installation depth	2443 mm
motor output	3,0 kW
power connector	400 V/16 A
cable length to control	8 m
lifting time	≈ 35 sec.
lowering time	≈ 35 sec.

Platform support Alu Track 2.50	102756
Support Uni 2.35 plus	102640
Installation cassette STEEL 1500 mm	2190XX
Installation cassette STEEL 1500 mm galvanized	2191XX
Lifting unit oil 5,0 l Duplo 3,5l 1500 mm - K pre-assembled in installation cassette	105464
Lifting unit oil 5,0 l Duplo 3,5l 1500 mm - H packed in wooden box	105465

Alu Track Lift 2.50 Duplo Vario



TECHNICAL DATA

capacity	5000 kg
wheel free lift	5000 kg
lifting height	1860 mm
lifting height wheel free unit	2005 mm
platform length	4800 mm
platform height	180 mm
move in height wheel free unit	110 mm
piston diameter	123 mm
piston distance	1500 mm
installation depth	2443 mm
motor output	3,0 kW
power connector	400 V/16 A
cable length to control	8 m
lifting time	≈ 35 sec.
lowering time	≈ 35 sec.

Platform support Alu Track 2.50	102756
Support Vario 2.50	102653
Installation cassette STEEL 1500 mm	2190XX
Installation cassette STEEL 1500 mm galvanized	2191XX
Lifting unit oil 5,0 l Duplo 5,0 l 1500 mm - K pre-assembled in installation cassette	104964
Lifting unit oil 5,0 l Duplo 5,0 l 1500 mm - H packed in wooden box	104965

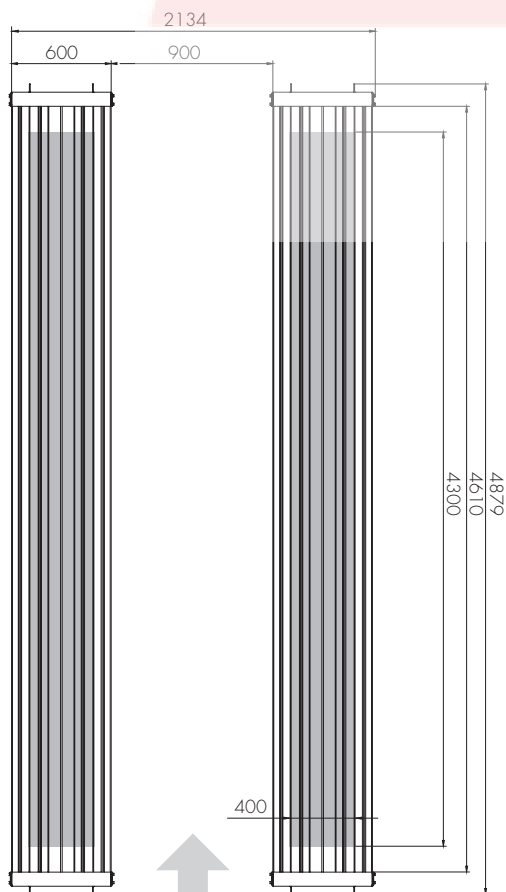
4 PISTON

PLATFORMS



PRECISION AND DESIGN

Alu Track Lift 4.40

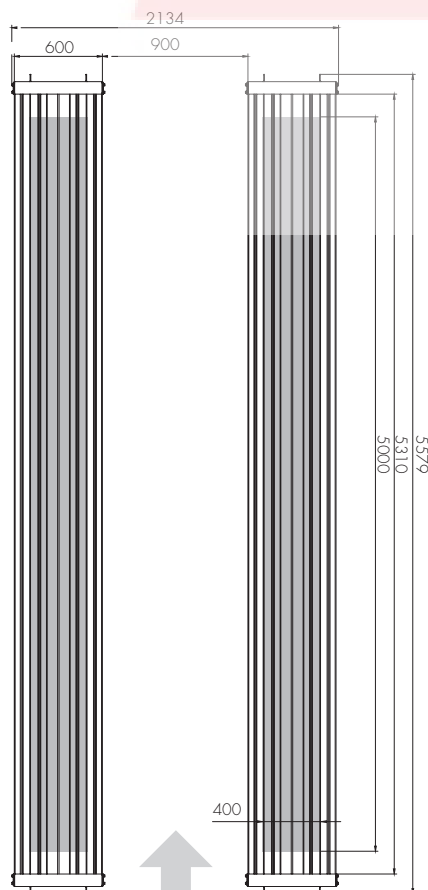
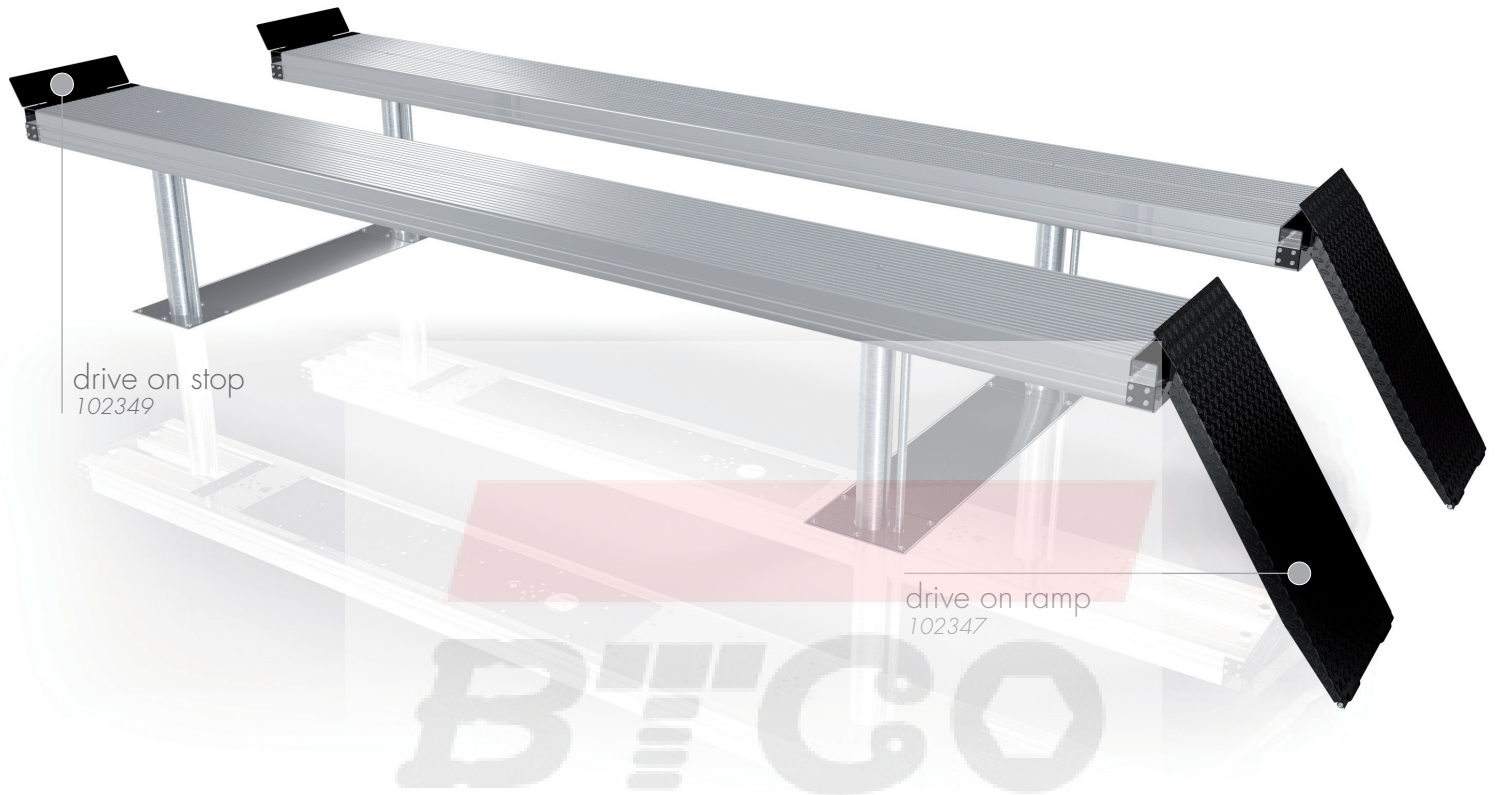


TECHNICAL DATA

capacity	4000 kg
lifting height	1860 mm
effective raise height	2020 mm
platform length	4800 mm
platform height	180 mm
piston diameter	123 mm
piston distance	1500 mm
installation depth	2498 mm
motor output	3,0 kW
power connector	400 V/16 A
cable length to control	8 m
lifting time	≈ 35 sec.
lowering time	≈ 35 sec.

Platform support Alu Track 4.40	104982
Installation cassettes STEEL 1500 mm	2110XX
Installation cassettes STEEL 1500 mm galvanized	2111XX
Lifting unit oil 4,0 l 1500 mm - K pre-assembled in installation cassette	104966
Lifting unit oil 4,0 l 1500 mm - H packed in wooden box	104967

Alu Track Lift 4.65

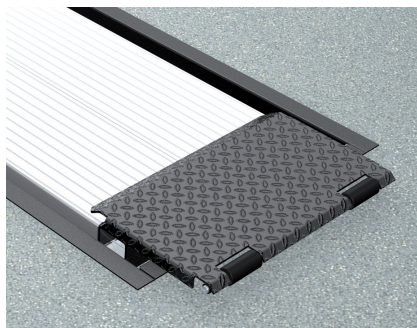


TECHNICAL DATA

capacity	6500 kg
lifting height	1860 mm
effective raise height	2020 mm
platform length	5500 mm
platform height	180 mm
piston diameter	123 mm
piston distance	1500 mm
installation depth	2498 mm
motor output	3,0 kW
power connector	400 V/16 A
cable length to control	8 m
lifting time	≈ 35 sec.
lowering time	≈ 35 sec.

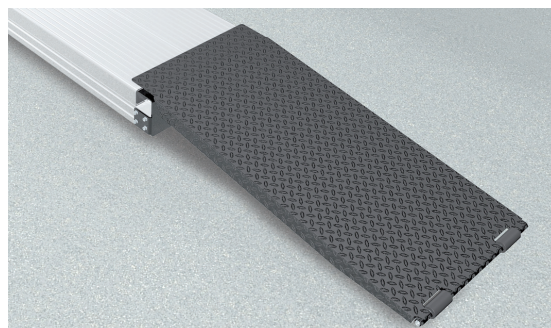
Platform support Alu Track 6.50	105170
Installation cassettes STEEL 1500 mm	2110XX
Installation cassettes STEEL 1500 mm galvanized	2111XX
Lifting unit oil 6,5 l 1500 mm - K	104968
pre-assembled in installation cassette	
Lifting unit oil 6,5 l 1500 mm - H	104969
packed in wooden box	

Accessories



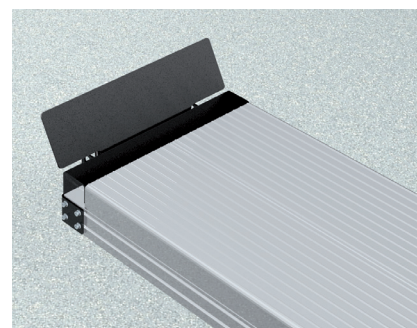
Drive on ramp

for installation flush with floor level
102346



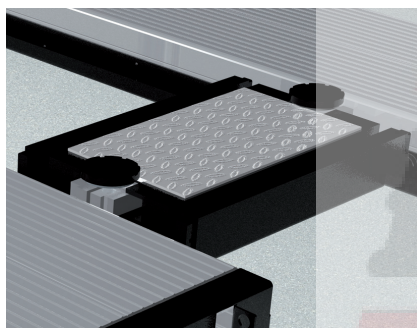
Drive on ramp

for floor incumbent installation
1250 mm, hanging, bevel 7°
102347



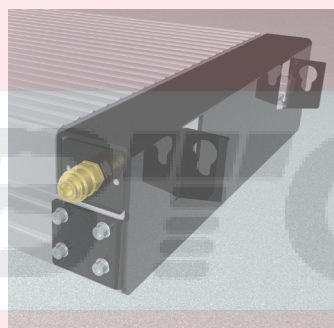
Drive on stop

102349



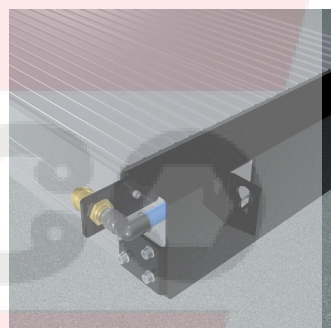
Axle lifter

2600 kg, pneumatic, incl. slide rails
105063



Compressed air supply

for floor incumbent installation
or rectangular foundation
102407



Compressed air supply

for installation flush with
floor level in H-frame
105617



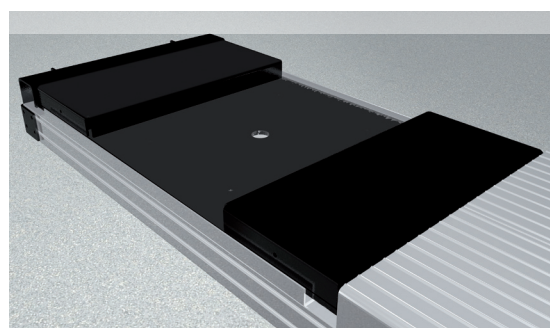
Slide rail set

4400 mm
102374
4800mm
102375



Wheel alignment supports

1350 mm
102377
600 mm
102381



Platform support with platform notches for turn tables and sliding plates incl. levelling plates

Support Alu Track 2.35
1200 mm / 1200 mm
105238

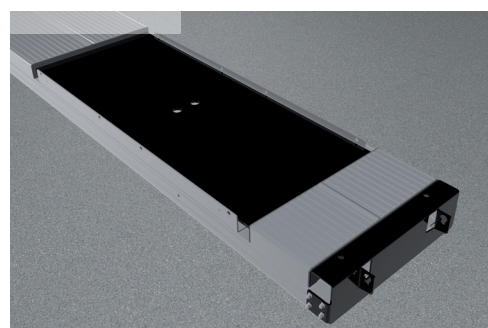
Support Alu Track 2.35 Duplo
1200 mm / 1200 mm
105244

Support Alu Track 4.40
1400 mm / 1400 mm
105269

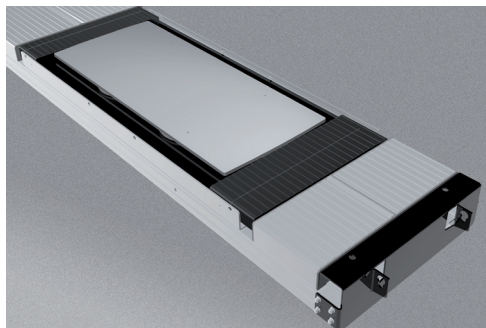
Support Alu Track 2.50
1400 mm / 1400 mm
105266

Support Alu Track 2.50 Duplo
1400 mm / 1400 mm
105259

Support Alu Track 4.65
1000 mm / 2x1400 mm
105272

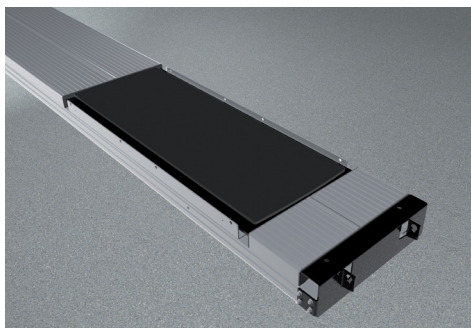


Accessories



Sliding plate
Standard

102426



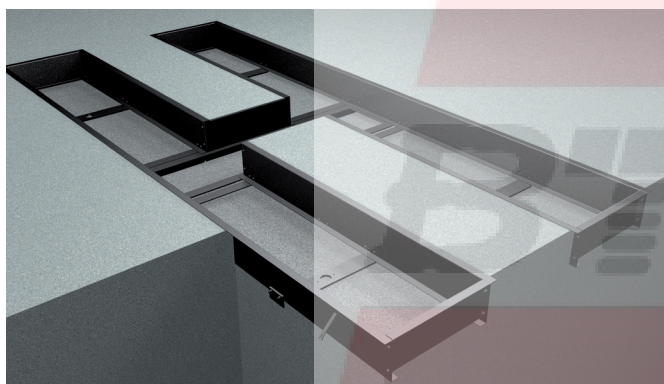
Sliding plate
Precision

1200 mm 1400 mm
102423 102424



Illumination set LED
Alu Track

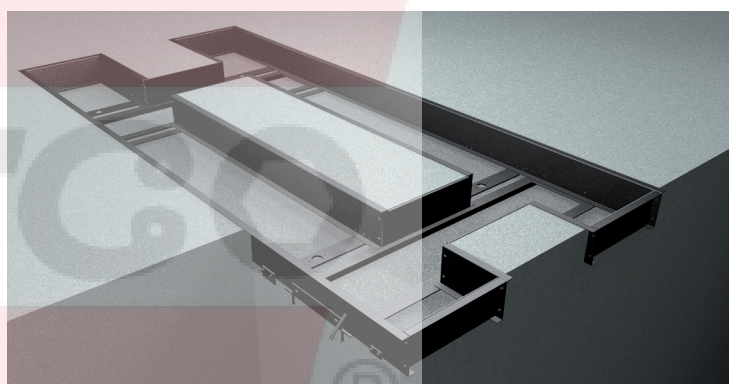
102394



Surround frame 2-piston

4400 mm for installation flush with floor level
102356

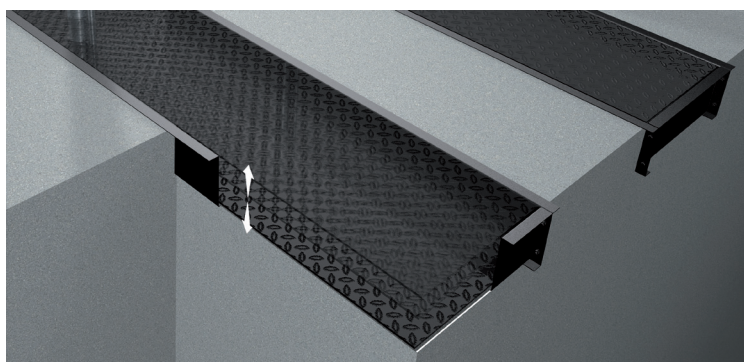
4800 mm for installation flush with floor level
102361



Surround frame 4-piston

4400 mm for installation flush with floor level
105177

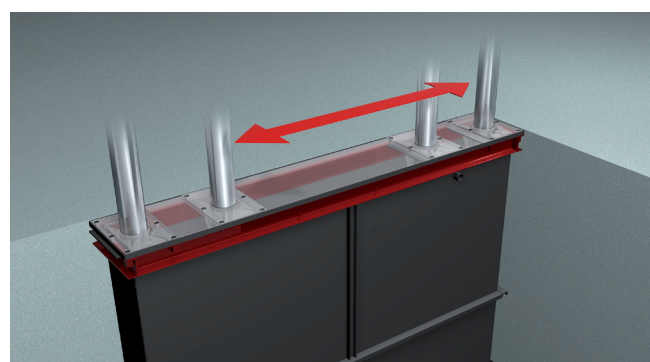
5500 mm for installation flush with floor level
102387



Automatic floor levelling system

2-piston 4400 mm 2-piston DUPLO 4400 mm 4-piston 4800 mm
102366 102363 105178

2-piston 4800 mm 2-piston DUPLO 4800 mm 4-piston 5500 mm
102428 102365 102392

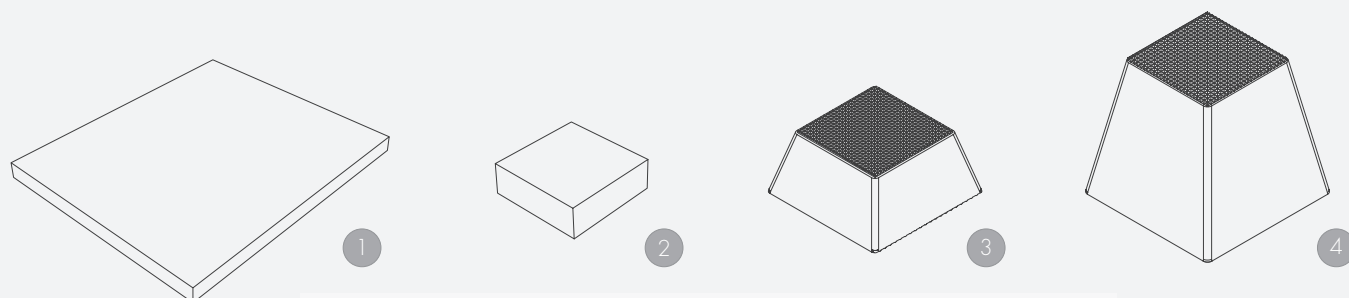


Future Proof installation cassette

Steel 2285 mm, drilling patterns 2285/1785/1335
2150XX

Steel galvanized 2285 mm, 2285/1785/1335
2151XX

Accessories

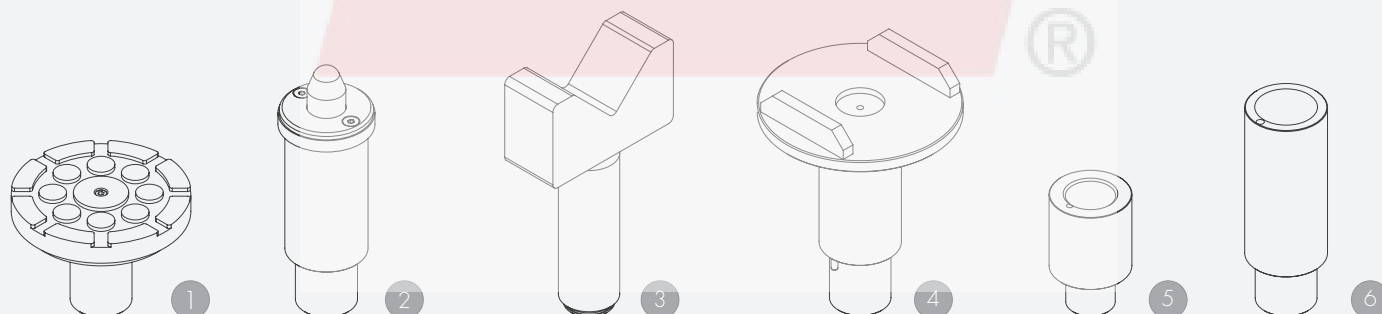


1 Rubber pad
290 x 335 x 20 mm
102275 (1set / 4 pcs.)

2 Rubber pad
120 x 120 x 40 mm
102274 (1set / 4 pcs.)

3 Rubber pad pyramid
70 mm
102273 (1set / 4 pcs.)

4 Rubber pad pyramid
140 mm
102291 (1set / 4 pcs.)



1 Stacking adapter
d130 x d 45 / 25-55 mm
102285 (1set / 4 pcs.)

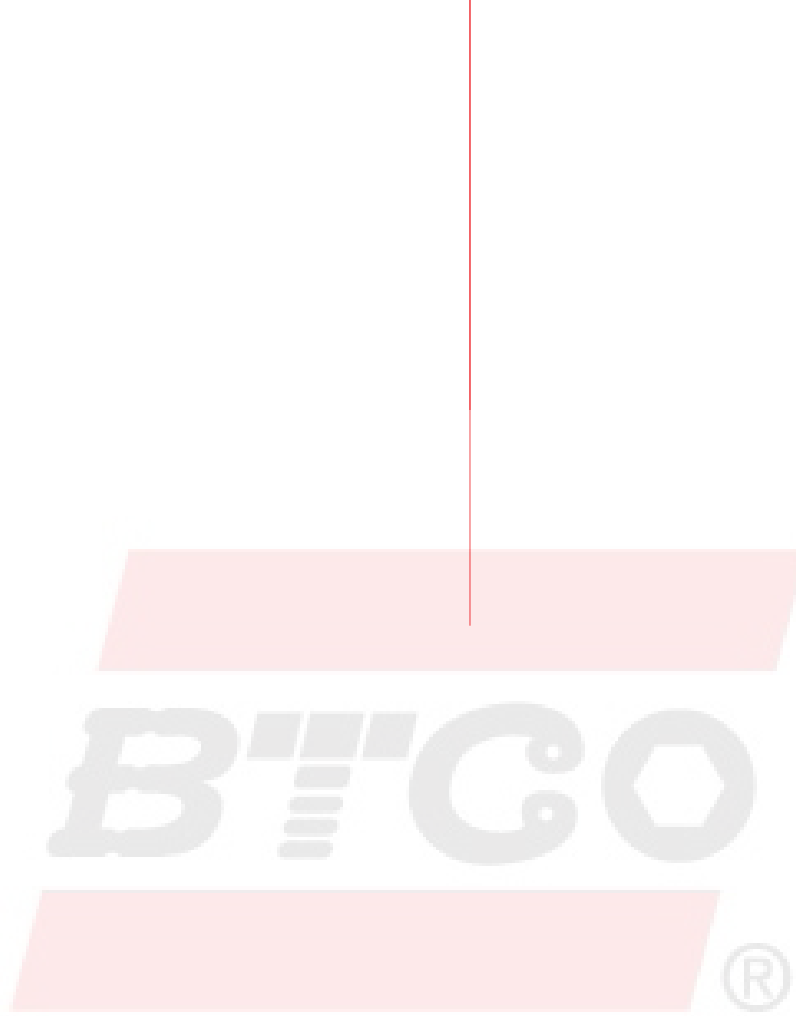
2 stacking adapter NCV3 Dorn
d 45 x d 70 / 125-250 mm
102290 (1set / 2 pcs.)

3 stacking adapter V-prism
d 45 / 182-312 mm
102289 (1set / 2 pcs.)

4 stacking adapter U-form
d 130 x d 45 / 193-295 mm
102288 (1set / 4 pcs.)

5 stacking adapter extension
80 mm
102284 (1set / 4 pcs.)

6 stacking adapter extension
130 mm
102287 (1set / 4 pcs.)



مركز البراغي والعدد
BOLTS & TOOLS CENTER 

January 2016

Amendments and mistakes reserved.
All illustrations are not binding.

we lift cars