

velyen

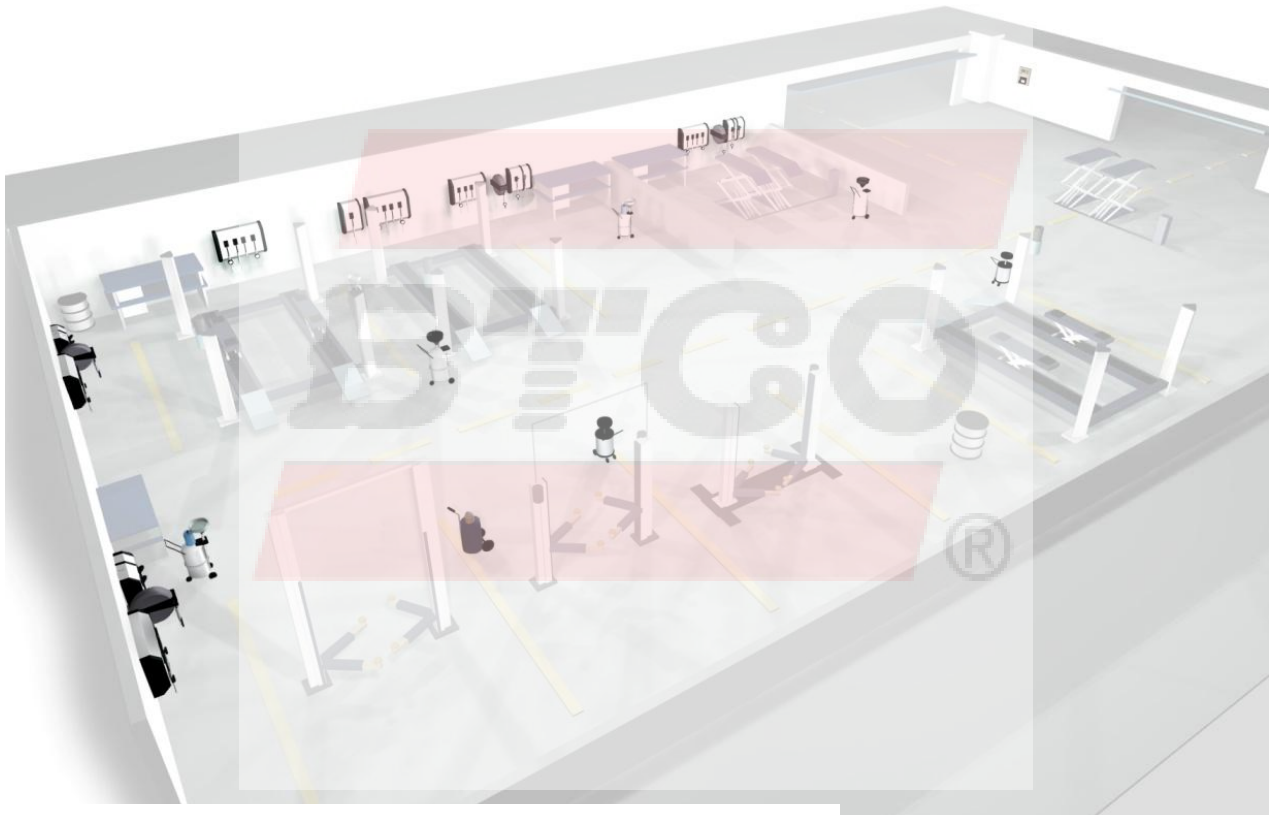
licensed by



Especialistas en Posventa · Equipamiento de taller

▶ AFTER-SALES SPECIALIST. WORKSHOP EQUIPMENT

Lifts - Exhaust Systems - Wheel balancers, tire changers & aligners - Lube Equipment



مركز البراغي والعدد
BOLTS & TOOLS CENTER **BTGO**

RELIABLE AFTER SALES SOLUTIONS

LUBE EQUIPMENT N° 16/001 YEAR 2016

From 1st February 2016

INDEX

	3	MOVABLE EQUIPMENT Greasa Dispenser Oil and Valvuline Dispenser Suction and Waste Fluids Blake Breeder and Optional Accessories Movable Equipment Accesories
	15	STATIONARY EQUIPMENT Greasa, Oil and Valvulina, Other Fluids equipment Hose Reel Mounted Frames Multy-energy and Extraction System Work Branches Suction Oil pump kit's
	31	FLUID STORAGE EQUIPMENT
	35	MANAGEMENT SYSTEMS, IN-LINE METERS & PULSE TRANSMITTER
	45	PNEUMATIC PUMP
	51	AUXILIARY PUMP
	55	HOSE REELS
	61	GUN
	67	AUXILIARY ELEMENTS PUMPS, HOSE REELS
	71	HANDLING ACCESORIES
	79	EQUIPMENT ON PLATFORM
	83	AD BLUE

- Note:
- 1 THIS LIST SUPERSEDES A PREVIOUS.
 - 2 Merchandise placed in our factory.
 - 3 Package included in the prices of these lists.
 - 4 Are at the customer's taxes and installation costs. For everything emanating from arising and possibly hiring, the parties waiving their own jurisdiction, expressly submit to the jurisdiction of the Courts of Alzira (Valencia).
 5. VELYEN Lifting and Lubrication, SL, reserves the right to undertake any modifications deemed desirable in order to improve its products.
 - 6 Mount NOT Included
 - 7 The photographs included in this price list may appear with some optional



MOBILE EQUIPMENT



**PERDONA,
¿TU TALLER
PIERDE DINERO?**

En Velyen sabemos que no te gusta perder dinero, por eso te ofrecemos esta oportunidad para ahorrar con nuestro sistema de gestión de lubricación.

- Reducción de costes de compra
- Control informatizado de cada suministro
- Eliminación de latas (+ahorro +limpieza)
- Agilidad y rapidez

BIGGO

EMPHASIZED ASPECTS

- Equipment designed to work at the maximum output.
- High quality design.
- Certified products according to European Directive 2006/42/CE.
- High quality components to guarantee a long-life and minimize maintenance and repair works.

MOBILE EQUIPMENT

PNEUMATIC GREASER

Mobile units lubrication point to point accurately.

MODEL	DENOMINATION
4LD0110	Pneumatic greaser 20 Kgs. Without DRUM
4LD0100	Pneumatic greaser 37 Kgs.
4LD0210	Pneumatic greaser 58 Kgs. Without DRUM
4LD0200	Pneumatic greaser 58 Kgs.

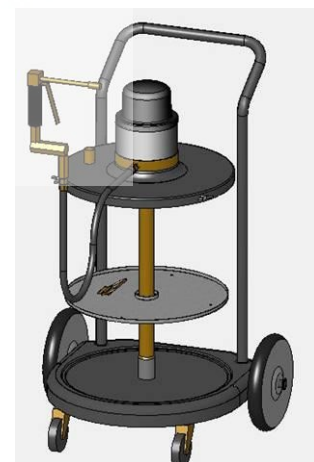
TECHNICAL CHARACTERISTICS			
MODEL	4LD0100 / 4LD0110	4LD0200	4LD0210
Pump system	Pneumatic		
Grease hose length (m)	2		
Max working pressure (bar)	400		
Max air pressure (bar)	8		
Pressure ratio	50:1		
Max flow (g/min)	800		
Equipment mobility	2 wheels mobile equipment	4 wheels mobile equipment: 2 fixed + 2 rotary wheels	
Included	Follower plater, Pneumatic Pump, Grease Hose 2m, Racord, Grease gun, Nozzle. MODELS 4LD0100 and 4LD0200 included Drum		



4LD0100



4LD0200



4LD0210



It is recommended to add manometer / lubricator unit (see page 70).
Air hose is not included (see page 75)

PNEUMATIC OIL DISPENSER

Mobile units lubrication point to point accurately

MODEL	DENOMINATION
4LD0305	Manual Greaser 16 Kgs.
4LD0400	Manual Greaser 20 Kgs.
4LD0500	Manual Greaser 37 Kgs.

TECHNICAL CHARACTERISTICS			
MODEL	4LD0400	4LD0500	4LD0305
Pump system	Manual		
Grease hose length (m)	2		1.8
Max working pressure (bar)	250		
Equipment mobility	Portable	2-wheels mobile equipment	Portable
Weight	10	15	10
Included	Follower plater, Grease Hose adapted, Grease gun, grease nozzle.		



4LD0400



4LD0500



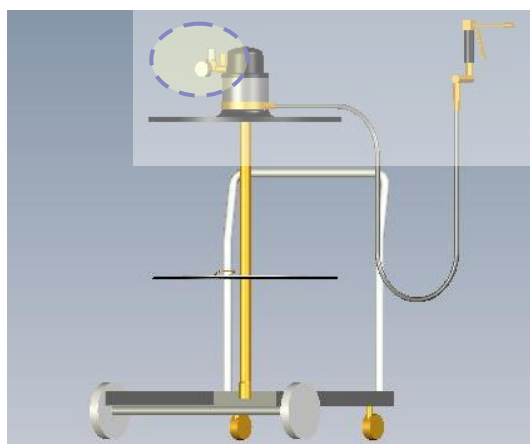
4LD0305

MOBILE EQUIPMENT

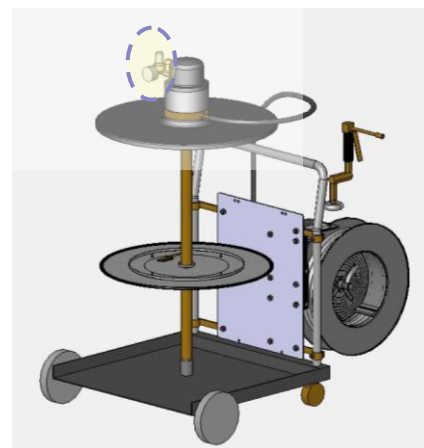
DISPENSADORES DE GRASA

MODEL	DENOMINATION
4LD0700	Pneumatic greaser for 200/220 Kg drums With drum trolley and 4 m hose Without Drum
4LD0710	Pneumatic greaser for 200/220 Kg drums With drum trolley and 10m open hose reel Without Drum

TECHNICAL CHARACTERISTICS		
MODEL	4LD0700	4LD0710
Sistema	Neumático	
Relación de Compresión	50:1	
Longitud Manguera Conducción (m)	4	10
Equipamiento incluido	Pneumatic grease pump Anti-dust drum cover Follower plate Drum trolley Grease hose 4 meters Grease control gun Manometer Swivel connector	Pneumatic grease pump Anti-dust drum cover Follower plate Drum trolley Open hose reel 10 meters Grease control gun Manometer Swivel connector
Movilidad del equipo	Móvil con 4 ruedas, 2 giratorias	



4LD0700



4LD0710



It is recommended to add manometer / lubricator unit (see page 70)
Air hose is not included (see page 75)

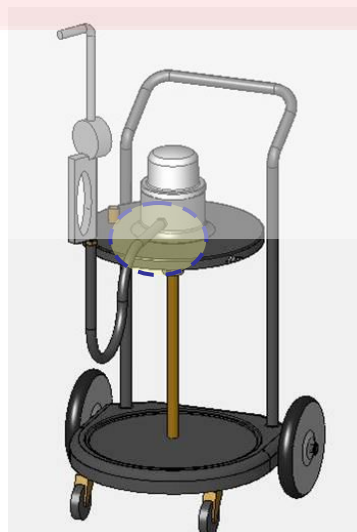
PNEUMATIC OIL AND VALVULINA DISPENSER

MODEL	DENOMINATION
4LV0600	Pneumatic oil dispenser 58 litres drum.
4LV0300	Pneumatic oil dispenser for 58l drums. Drum not included
4LV0310	Pneumatic oil dispenser 24 litres – Low pressure. Drum not included

TECHNICAL CHARACTERISTICS			
MODEL	4LV0300	4LV0310	4LV0600
Pump system	Neumático		
Oil hose length (m)	2		
Max air pressure (bar)	8		
Pressure ratio	3:1		
Max flow (l/min)	20		22
Equipment mobility	4 wheels mobile equipment: 2 fixed + 2 rotary wheels		2-wheels mobile equipment
Equipment	Digital In-Line meter and Manual Oil Gun		Manual Oil Gun
Included	Pneumatic Pump, Oil hose 2m, Oil gun, Nozzle.		



4LV0300



4LV310



4LV0600



It is recommended to add manometer / lubricator unit (see page 70)
Air hose is not included (see page 75)

MOBILE EQUIPMENT

HAND – OPERATED OIL / VALVULINA DISPENSER

MODEL	DENOMINATION
4LV0405	Manual oil dispenser 16 litres drum.
4LV0401	Manual oil dispenser 24 l. drum
4LV1400	Manual gearbox oil dispenser 16 l. drum
4LV0700	Manual oil dispenser 65 litres drum
4LV0400	Manual oil dispenser 37 litres drum.
4LV0500	Manual oil dispenser 58 litres drum.

TECHNICAL CHARACTERISTICS				
MODEL	4LV0400 4LV0401	4LV0405	4LV0500	4LV0700
Pumping device	Rotary Handle	Manual Lever	Rotary handle	Manual Lever
Oil hose length (m)	2	1.8	2	2
Max flow (litres/min)		25		30
Equipment mobility	2-wheels mobile equipment	Portable	4 wheels mobile equipment: 2 fixed + 2 rotary wheels	
Pumping device	Oil hose adapted, oil gun adapted, Oil nozzle.			



4LV0400



4LV0405



4LV0500



4LV0700



4LV1400

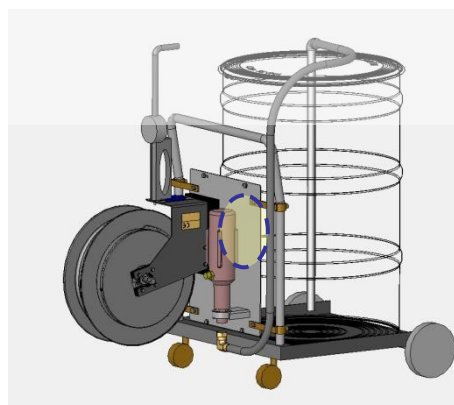
MOBILE OIL DISPENSER SET

MODEL	DENOMINATION
4LM0010	Mobile oil dispenser set 1:3 - 4 m hose - 205l drum Pneumatic pump 3:1 on drum, air maintenance unit, 200 litres drum trolley and digital oil gun for SAE 240 oils
4LV0800	Mobile oil dispenser set 1:3 -10m hose reel- 205l drum Pneumatic pump 3:1 on trolley, air maintenance unit 200 litres drum trolley and digital oil gun for SAE 240 oils
4LM0090	Mobile oil dispenser set 1:4 – 4 m hose – 205l drum Pneumatic pump 4:1 mounted on trolley, air maintenance unit 200 litres drum trolley and digital oil gun for SAE 240 oils

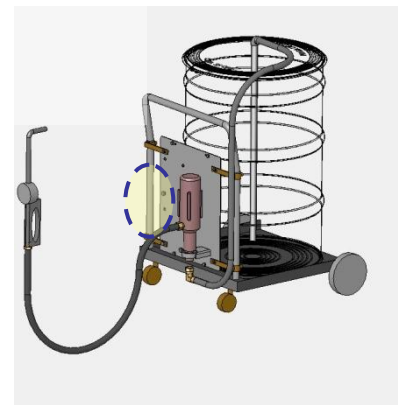
TECHNICAL CHARACTERISTICS			
MODEL	4LM0010	4LM0090	4LV0800
Pump system	Pneumatic		
Pressure ratio	1:3		Pressure ratio
Max flow (l/min)	15		
Oil hose length (m)	4	Oil hose length (m)	4
Components	Oil pump 1:3 200l drum trolley Oil hose 4 metres Digital oil gun Air maintenance unit	Oil pump 1:3 200l drum trolley Oil hose reel 10 m Digital oil gun Air maintenance unit	Oil pump 1:4 200l drum trolley Oil hose 4 metres Digital oil gun Air maintenance unit
Equipment mobility	4 wheels mobile equipment: 2 fixed + 2 rotary wheels		



4LM0010



4LM0090



4LV0800



It is recommended to add manometer / lubricator unit (see page 70)
Air hose is not included (see page 75)

MOBILE EQUIPMENT

WASTE OIL EQUIPMENT – OIL DRAINERS & SUCTION UNITS

Mobile recovery units oils either by gravity or suction depression

MODEL	DENOMINATION
5685090	Drainer unit 90 litres – Pneumatic discharge
4LV0200	Drainer unit 58 litres with discharge valve
5685065A	Drainer unit 65 litres – Pneumatic discharge. (antifreeze and windshield washer)
5010190K	Suction/drainer unit 90 litres – Pneumatic discharge
5010190	Suction/drainer unit 90 litres – Pneumatic discharge
4LF1400	Petrol Suction unit 60 Kgs
4LF0305	Suction/drainer unit 115 litres. Pantograph

MODEL	5010190	4LF0305	5685090	4LV0200
Drainage system	Pneumatic			Manual
Tank capacity (l)	90	115	90	58
Transparent chamber capacity (l)	2			-
Bowl capacity (l)		2		-
Suction hose long (m)	8			-
Discharge hose long (m)	13	13	13	7,5
Weight (kg)	43	43	35	28
Equipment mobility	4 wheels mobile equipment: 2 fixed + 2 rotary wheels			
Use	<ol style="list-style-type: none"> Do not use the unit for recovery of brake fluid, gasoline and flammable or corrosive fluids. Download 0.5 bar compressed air oil intake is recommended at 70/80 ° C temperature 			



4LF0305



5010190



5685090

BRAKE BLEEDER AND ACCESSORIES

SUITABLE PLUGS FOR TRADEMARKS

MODEL AUTOMOVIL	910000 KIT UNIV.	910200 KIT 14
ALFA	X	X
AUDI	X	
AUSTIN	X	
AUTOBIANCHI		X
BMW	X	
CITROËN	X	X
CHRYSLER	X	
DAEWOO	X	
FERRARI	X	X
FIAT	X	X
FORD	X	
HYUNDAI	X	
INNOCENTI	X	X
JAGUAR		X
JEEP	X	
KID	X	
LAMBORGHINI	X	X
LAFER		X
LADA		X
LANCIA	X	X
LAND -ROVER	X	
LEYLAND	X	
MASERATI	X	X
MITSUBISHI	X	
MAZDA	X	
MG	X	
MERCEDES	X	
NISSAN	X	
OPEL	X	
PEUGEOT	X	X
PORSCHE	X	X
RENAULT	X	X
ROVER	X	
SAAB	X	
SEAT	X	X
SUBARU	X	X
SUZUKI	X	
TALBOT	X	
TOYOTA	X	
TRIUMPH	X	
VAUXHALL	X	
VOLKSWAGEN	X	X
VOLVO	X	X

MODEL TRUCKS	910000 KIT UNIV.	910200 KIT 14
ASTRA		X
BEDFORD	X	X
BERLIET	X	X
DAF	X	
EBRO	X	
FIAT	X	X
FORD	X	X
IVECO	X	X
MAGIRUS	X	
MERCEDES	X	
PEGASO (mod. COMET)	X	
RENAULT	X	X
SAVIEM	X	X
SCANIA	X	X
UNIC	X	X
VOLVO		X

MOBILE EQUIPMENT

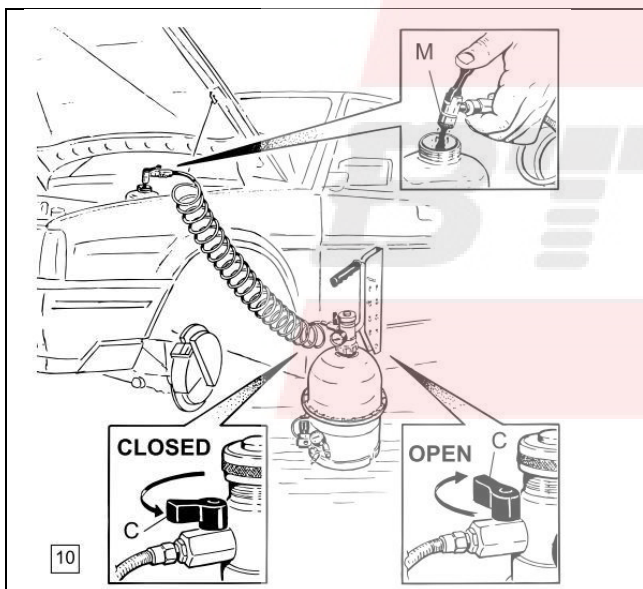
BRAKE BLEEDER AND ACCESSORIES

MODEL	DENOMINATION
4LF0605	Brake bleeder (Standard plugs kit and oil recovering drums included)



TECHNICAL CHARACTERISTICS

Air chamber capacity (litres)	5
Brake fluid tank capacity (litres)	5
Max operating pressure of brake fluid tank (bar)	2.5
Max operating pressure of air chamber (bar)	10.5
Remark	Not suitable for liquid class A I, A II ó TC



TECHNICAL CHARACTERISTICS

- ❖ Chrome-plated device, air-operated, suitable for bleeding the hydraulic brakes and clutches of all motor vehicles. The bleeding operation can be carried out in just a few minutes by one person. The brake-bleeding device is equipped with an elastic inner membrane which hermetically separates the fluid contained in the top chamber from the air contained in an underlying chamber, thus preventing any risk of emulsion.
- ❖ Furthermore, it is equipped with a third high-pressure reserve air chamber (8-10 bar controlled by the bottom air regulator) enabling several bleeding operations to be carried out at a constant pressure and without requiring additional recharges. Also suitable for bleeding systems with braking control and ABS (max. at 1 bar).

BLAKE BREEDER OPTIONAL ACCESORIES



MODEL	DENOMINATION
003207	Standard plug kit
910000	14 plugs kit (optional accessory)
910200	Drums

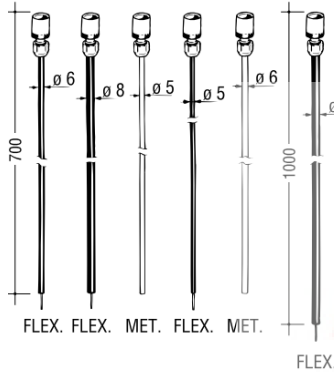
MOBILE EQUIPMENT

OPTIONAL ACCESSORIES



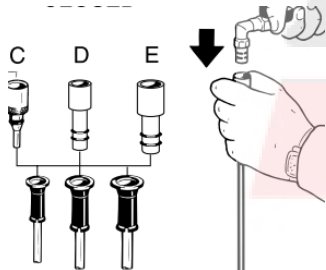
REFERENCE	DENOMINATION
940000	Funnel 1 L
4LB1710	Hand rotary pump for Anti freeze and Oil
940100	20 litres drain bowl with fixed tube for 205 litres drum.

PROBES AND ACCESORIES FOR WASTE OIL EQUIPMENT



REFERENCE	DENOMINATION
9372100	Plastic Probe 5 mm – 700 mm
9364500	Plastic Probe 6 mm – 700 mm
9364300	Plastic Probe 7 mm—1000 mm
9364400	Plastic Probe 8 mm—700 mm
9364600	Metalic Probe 5 mm—700 mm
9364700	Metalic Probe 6 mm—700 mm
970200	Suction probes storage tube
972500	Plastic Probe 6 mm—1500 mm
972600	Plastic Probe 7 mm—1500 mm
972700	Plastic Probe 8 mm—1500 mm
979900	Accessories Kit (Diesel-oil, anti-freezers & waste-oil)

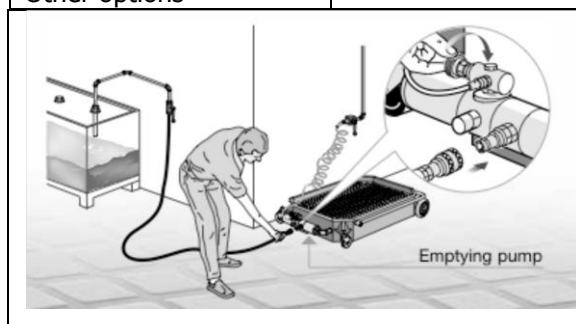
RACORDS FOR WASTE OIL EQUIPMENT



REFERENCE	DENOMINATION
9510700	Adaptor to suit Volkswagen probes
9510800	Adaptor to suit BMW probes
972800	Adaptor to suit Citroën probes
971900	Universal probe adaptor
002851	Quick connector for empty 1"
973400	Adaptor Male 1" H

WASTE OIL PIT TRAY

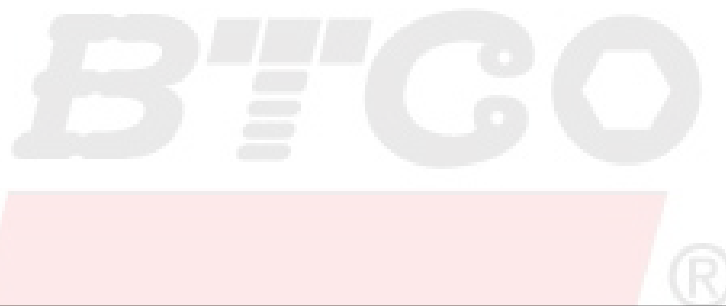
Capacity	50	50	95	95	150	150
Empty system	Sustion	Sustion	Sustion	Pneumatic	Sustion	Pneumatic
Wheels	4 mobil	4 mobile	2 mobile and 2 fixed	2 mobile	and 2 fixed	
Serial equipment	Quick adapter	Pipe	Quick adapter	Oil pump	Quick Adpater	Oil pump
Other options	Floor or under tray					



REFEREN.	DENOMINATION
923300	Waste oil and anti-freeze ground tray 50l
923200	Waste oil pit tray 65l
923400	Waste oil pit tray 110l



STATIONARY EQUIPMENT



EMPHASIZED ASPECTS

- Equipment designed to work at the maximum output.
- High quality design.
- Certified products according to European Directive 2006/42/CE.
- High quality components to guarantee a long-life and minimize maintenance and repair works.

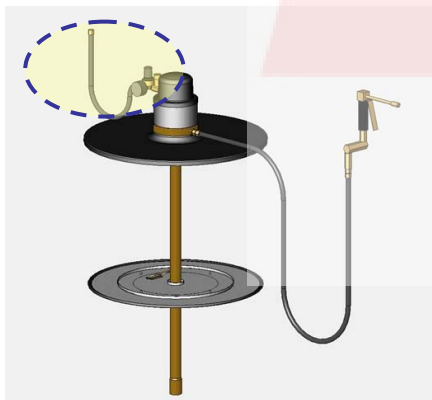
STATIONARY EQUIPMENT

GREASE DISPENSER

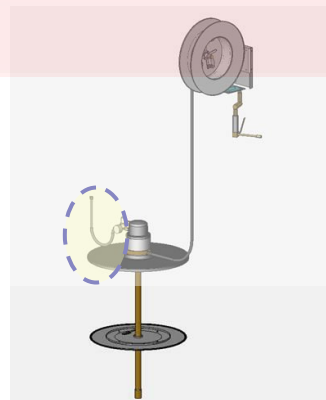
MODEL	DENOMINATION
4LD0900	Grease pump kit for 185 Kg drum. Ratio 1:50 – 4 m hose
4LD0800	Grease pump kit for 185 Kg drum. Ratio 1:50 – 10 m open hose reel
4LD0810	Grease pump kit for 185 Kg drum. Ratio 1:50 – 15 m open hose reel

TECHNICAL CHARACTERISTICS

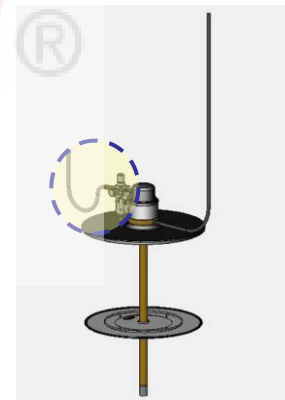
MODEL	4LD0800	4LD0810	4LD0900
Pump system	Neumático		
Suction tube (mm)	4	10	2
Oil hose (m)	800		
Max. flow (l/min)	185		
Components	Grease pump Anti-dust drum cover Follower plate Grease hose 4 m Coupler G ¼" M-M Swivel connector Grease control gun	Grease pump Anti-dust drum cover Follower plate Grease hose 2m 15m open hose reel Coupler G ¼" M-M Swivel connector Grease control gun	Grease pump Anti-dust drum cover Follower plate Grease hose 2m Swivel connector



4LD0800



4LD0810



4LD0900



It is recommended to add manometer / lubricator unit (see page 70).
Air hose is not included (see page 75)

WALL- MOUNTED OIL AND VALVULINA KIT

MODEL	DENOMINATION
4LV0900	Wall-mounted oil pump kit – Ratio 1:1 Suction tube 1.100 mm
4LV0910	Wall-mounted oil pump kit – Ratio 1:1 Suction tube 1.600 mm
4LV0920	Wall-mounted oil pump kit – Ratio 1:3 Suction tube 1.100 mm
4LV0930	Wall-mounted oil pump kit – Ratio 1:3 Suction tube 1.600 mm
4LV0940	Wall-mounted oil pump kit – Ratio 1:5 Suction tube 1.100 mm
4LV0950	Wall-mounted oil pump kit – Ratio 1:5 Suction tube 1.600 mm

TECHNICAL CHARACTERISTICS						
MODEL	4LV0900	4LV0910	4LV0920	4LV0930	4LV0940	4LV0950
Pump system	Neumático					
Ratio	1:1		3:1		5:1	
Suction tube (mm)	1.100	1.600	1.100	1.600	1.100	1.600
Oil hose (m)	2					
Max. flow (l/min)	35		22		20	
Components	Oil pump ratio 1:1 Wall-mounting bracket Connecting hose 2 meters Suction tube Oil hose 2 meters		Oil pump ratio 1:3 Wall-mounting bracket Connecting hose 1.5 meters Suction tube Oil hose 2 meters		Oil pump ratio 1:5 Wall-mounting bracket Connecting hose 1.5 meters Suction tube Oil hose 2 meters	



It is recommended to add manometer / lubricator unit (see page 70).
Air hose is not included (see page 75)

STATIONARY EQUIPMENT

WALL- MOUNTED OIL AND VALVULINA KIT

MODEL	DENOMINATION
4LV0990	Wall-mounted oil pump kit – Ratio 1:5 to 100 l drum
4LV0980	Wall-mounted oil pump kit – Ratio 1:7 Suction tube 1.600 mm

TECHNICAL CHARACTERISTICS		
MODEL	4LV0980	4LV0990
Pump system	Pneumatic	Pneumatic
Ratio	1:5	1:7
Suction tube (mm)	1.260	1.600
Oil hose (m)	2	2
Max. flow (l/min)		30
Recommended	<ul style="list-style-type: none"> • High viscosity, • Large distances (recomended between 100- 200 meters) • Different work places at same moment. 	<ul style="list-style-type: none"> • High viscosity, • Large distances (recomended between 100- 200 meters) • Different work places at same moment.
Components	<ul style="list-style-type: none"> • Oil pump ratio 1:5 • Wall-mounting bracket • Connecting hose 1.5 meters • Suction tube • Oil hose 2 meters 	<ul style="list-style-type: none"> • Oil pump ratio 1:7 • Wall-mounting bracket • Connecting hose 1.5 meters • Suction tube • Oil hose 2 meters

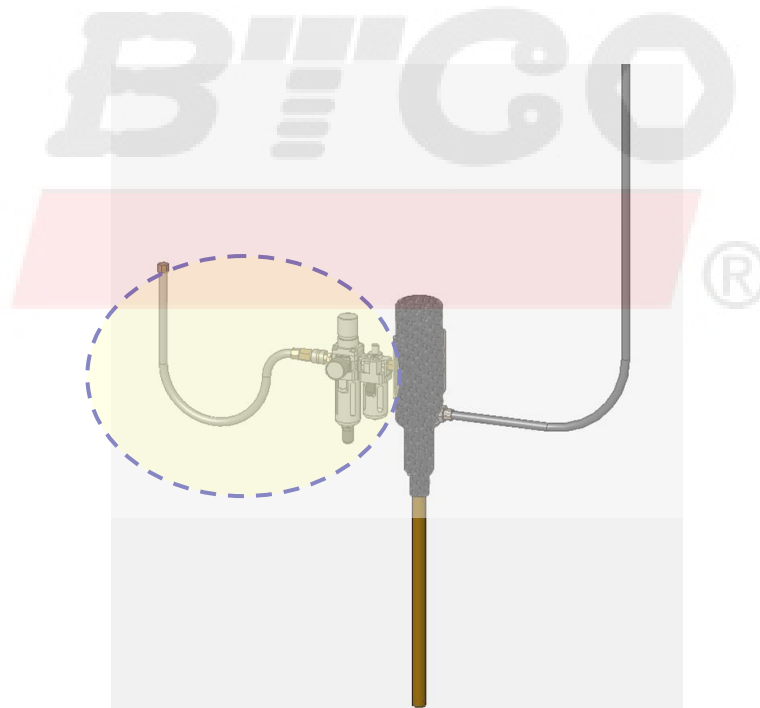


It is recommended to add manometer / lubricator unit (see page 70).
Air hose is not included (see page 75)

OIL AND VALVULINE KIT'S

MODEL	DENOMINATION
4LV1000	Oil pump kit for 205 litres drum – Ratio 1:3
4LV1020	Oil pump kit for 205 litres drum – Ratio 1:5
4LV1040	Oil pump kit for tank (tube 1.500mm) – Ratio 1:5


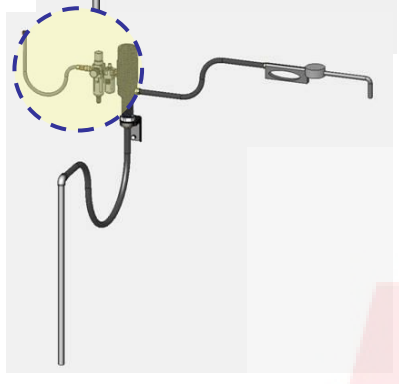
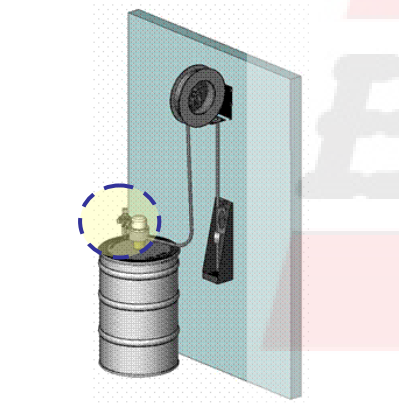

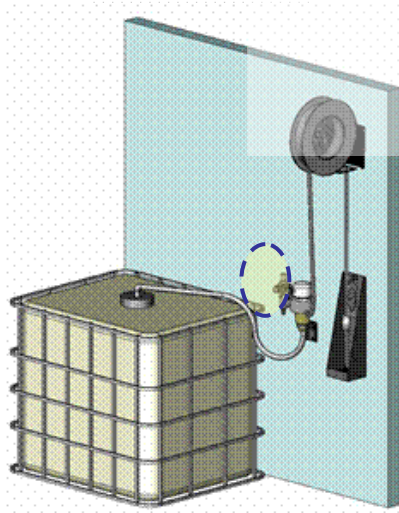
TECHNICAL CHARACTERISTICS			
MODEL	4LV1000	4LV1020	4LV1040
Pump system		Pneumatic	
Ratio	3:1		5:1
Max flow (l/min)	22		20
Components Included	Oil pump 1:3 Oil hose 1,5 meters	Oil pump 1:5 Oil hose 1,5 meters	



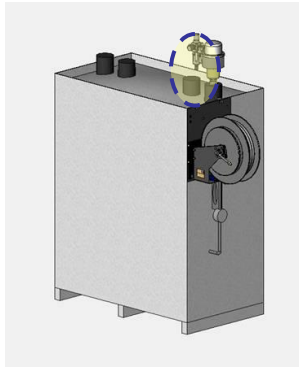
It is recommended to add manometer / lubricator unit (see page 70).
Air hose is not included (see page 75)

STATIONARY EQUIPMENT

READY ASSEMBLY SETS

MODEL	DENOMINATION
	<p>Oil dispenser set for 200l drum</p> <p>4LM0020 Pneumatic oil pump 1:3 with oil hose 4 meters and digital oil gun for SAE 240. Maximum flow 15 litres/min</p>
	<p>Oil dispenser set for 1000l. tank.</p> <p>4LM0040 Wall-mounted pneumatic oil pump 1:3 with digital oil gun for SAE 240 oils, oil hose 4 meters, suction tube 1600 mm. Maximum flow 15 litres/min.</p>
	<p>Oil dispenser set for 200l drum with open hose reel of 10 m.</p> <p>4LM0030 Pneumatic oil pump 1:3 with digital oil gun for SAE 240 oils. Maximum flow 15 litres/min. OPTIONAL: Anti-drip wall bracket for gun </p>
	<p>Oil dispenser set for 1000 litres cage tank with open hose reel 10 meters</p> <p>4LM0050 Wall-mounted pneumatic oil pump 1:3 with digital oil gun for SAE 240 oils. Maximum flow 15 litres/min.</p>

STATIONARY EQUIPMENT



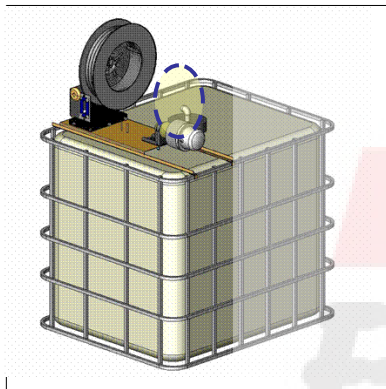
MODEL

DENOMINATION

4LM0080

Oil dispenser set with electrical pump.

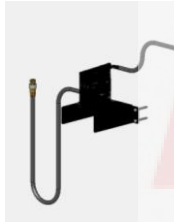
Single phase electrical pump for oils.
Oil hoses 3 and 4 meters.
Maximum flow 25 litres/min.



4LM0070

Oil dispenser set for cage tanks with open hose reel 10 meters.

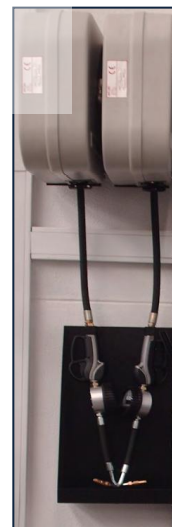
Tank-mounted pneumatic oil pump 1:3 with digital oil gun for SAE 240 oils. (Tank not included)
Maximum flow 15 litres/min.



4LM0060

Oil dispenser set with double steel cased tank with open hose reel of 10 meters.

Pneumatic oil pump 1:5 with 1500 mm suction tube, double cased storage tank 1000l and digital oil gun for SAE 240 oils.
Maximum flow 15 l/min.



It is recommended to add manometer / lubricator unit (see page 70).
Air hose is not included (see page 75)

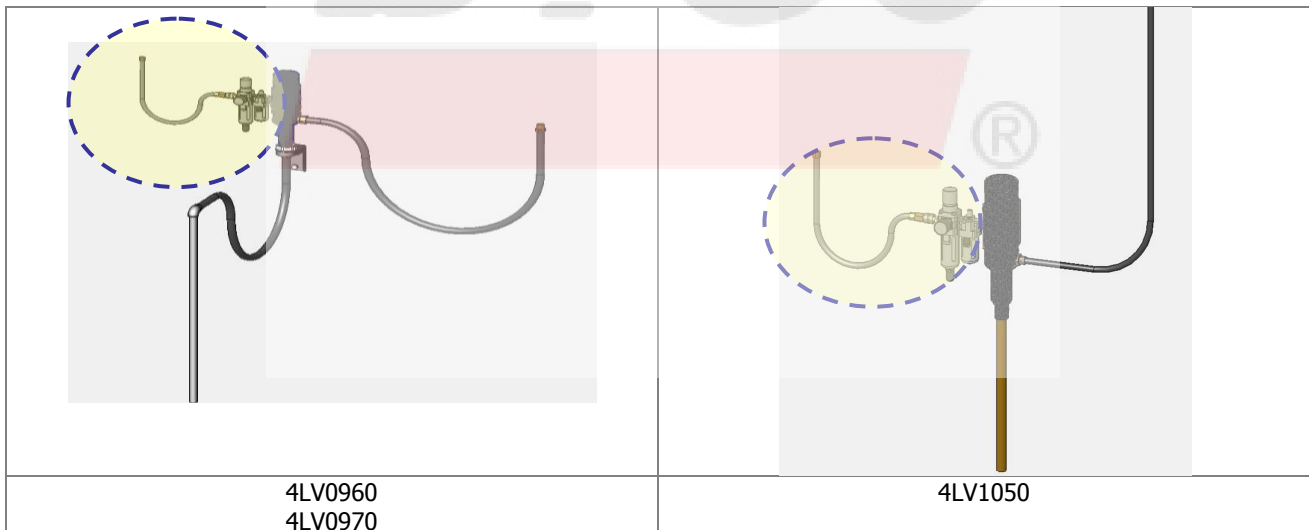
STATIONARY EQUIPMENT



ALL FLUIDS DISPENSER (except petrol)

MODEL	DENOMINATION
4LV1050	All fluids pump kit for 205 litres drum – Ratio 1:1
4LV0960	All fluids pump kit for tank (tube 1.100 mm) – Ratio 1:1
4LV0970	All fluids pump kit for tank (tube 1.600 mm) – Ratio 1:1

TECHNICAL CHARACTERISTICS			
MODEL	4LV0960	4LV0970	4LV1050
Pump system	Pneumatic		
Ratio	1:1		
Max flow (l/min)	23		
Suitable	All fluids except petrol		
Equipment Included	Oil pump 1:1 Wall-mounting bracket Connecting hose 1.5 meters Suction tube Oil hose 2 meters	Oil pump 1:1 Connecting hose 1.5 meters	



It is recommended to add manometer / lubricator unit (see page 70).
Air hose is not included (see page 75)

HOSE REEL MOUNTED FRAME

MODEL	DENOMINATION
4LF1130	Mounting Frame for 2 open / cased hose reels
4LF1120	Mounting Frame for 4 open / cased hose reels
4LF1100	Mounting Frame for 3 open / cased hose reels
4LF1110	Mounting Frame for 6 open / cased hose reels

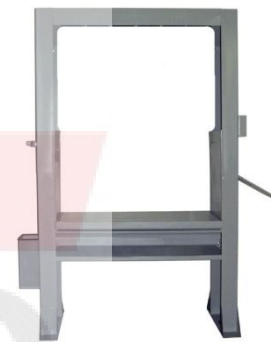
GENERAL FEATURES

Standard fittings:

- Paper Reel.
- Documents Tray.
- Tools Box.
- Drip tray with purging screw and movable grille.
- Tools Rack
- Do not forget to also include in your order the part number **961100 Ceiling bracket for hose reel.**

Optional Accesories:

- Manage and Control System.
- Light Equipment 24 V.
- Air and power connector.



4LF1100

Design with:

- Drip tray with purging screw and movable grille (not in 4LF1130)
- Tools Rack (Not in 4LF1130)

Optional Accessories:

- Manage and Control System.
- Light Equipment 24 V and Air and power connector
- Do not forget to include in your order the part number **961100 Ceiling bracket for hose reel.**



4LF1110



4LF1120 (*)



4LF1130


STATIONARY EQUIPMENT

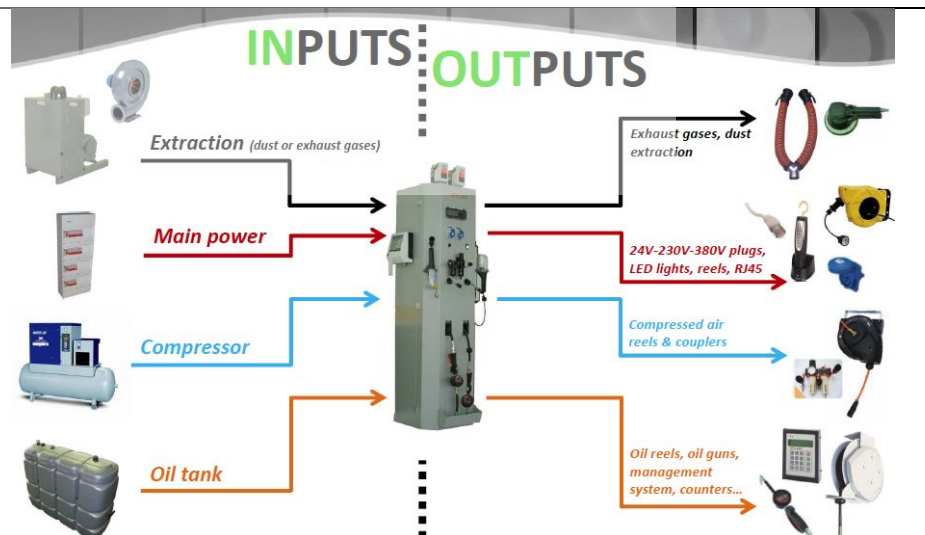


MULTY ENERGY

MODEL	DENOMINATION
4LF9999	Multi Energy System. Without optional Accesories Measures (H 1800 x A 690 x L 500 mm)

Optional Accesories

	Hose Reels Max. 4 units / kit
	Oil Hose Reel mod. 4LC0405
	Grease Hose Reel mod. 4LC0310
	Water Hose Reel mod. 4LC0110
	Petrol or Anti Freeze mod. Modelo 4LC1510
	Electrical Hose Reel Max 2 units / kit
	Electrical Hose Reel 220 V 10 m. cable
	Electrical Hose Reel 380 V 10 m. cable
	Electrical Hose Reel 24 V 10 m. cable
	Plug Max. 8 units / kit
	Plug 220V 16 A
	Plug 380V 32 A
	Plug 24V 16 A
	Diagnosis Plug Max 2 units / kit
	Diagnosis Plug R345
	Plug 220V 16 A
	Air Compressed
	Filter with 3 A/C. Max 1 unit / kit
Hose Reel A/C 10 m. diameter 8 mm	
Hose Reel with Lamp Led. Max 2 units / kit	
Hose Reel with Lamp Led. Cable 15 m	
Hose Reel with Lamp Led, with charger	



STRACTION SYSTEM

MODEL	DENOMINATION
4LF0800	Modular extraction system for petrol and brake liquid.
4LF0700	Modular extraction system for diesel-oils, oils, anti-freezers and screen waters



TECHNICAL CHARACTERISTICS		
MODEL	4LF0700	4LF0800
Application	Petrol & brake liquid	Diesel oils, oils, anti-freezers & screen waters
Airline connection	To suit Rectus coupler	
Discharge	Diaphragm pump, ratio 1:1	
Maximum flow (litres/min)	60	
Components	Steel cabinet Open hose reel 10 meters Diaphragm pump Suction probes couplers Suction probes kit Drip floor tray with integrated drain	

REMARKS

- ❖ The modules for the straction system consist of two basic parts.
- ❖ Modules are flexible, and that can be assembled in series or individually.

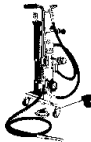
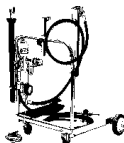
MOBILE EQUIPMENT TO SUCTION PETROL AND GAS

Mobile Equipment petrol and gas.

- Wheel mounted air-operated suction systems for the management of fuels.
- The air pump, equipped with special seals is suitable for sucking petrol or diesel oil from any vehicle or motorbike by means of the probes or connections supplied.
- Equipment is easy to handle, versatile and ideal for workshops.
- The system is equipped with an earth connection for discharging electrostatic current.
- In accordance with directive ATEX 94/9

CHARACTERISTICS:

- Pump with vacuum gauge
- 2 meters suction delivery hoses
- Flexibles probes diameter 8 to 12 mm
- Connections for probes 6 to 10 mm

PHOTO	DESCRIPTION
	Mobile Equipment drum 30 – 60 kgs 4LF1400
	Mobile Equipment drum 180 – 220 kgs

STATIONARY EQUIPMENT

LUBRICATION WORK BENCHES

MODEL	DENOMINATION
4LF1301	Tool Racks for 4LF1300 and 4LF1310
4LF1300	Lubrication Work Bench. 2x250 l. 15 m open hose reels, guns and pumps.
4LF1310	Lubrication Work Bench. 2x250 l. 10 m cased hose reels, guns and pumps.

Standard fittings:

- 2 pumps 1:3 with air maintenance unit.
- 2 open hose reel 15 meters or 2 cased hose reels 10 meters.
- 2 digital guns.

Optional Accesories:

- Manage and Control System.
- Light Equipment 24 V.
- Air and power connector.



MODEL	DENOMINATION
952100	2-taps dispenser bar. Included 2 taps
952000	3-taps dispenser bar. Included 3 taps
952005	4-taps dispenser bar. Included 1 taps
952020	Drip-catcher tray 205 liters drum
952010	Tap for oil bar with connection to pump for drum
952015	Tap for oil bar for reference 9220500
002901	Tap for oil bar for reference for 952000 ó 952100

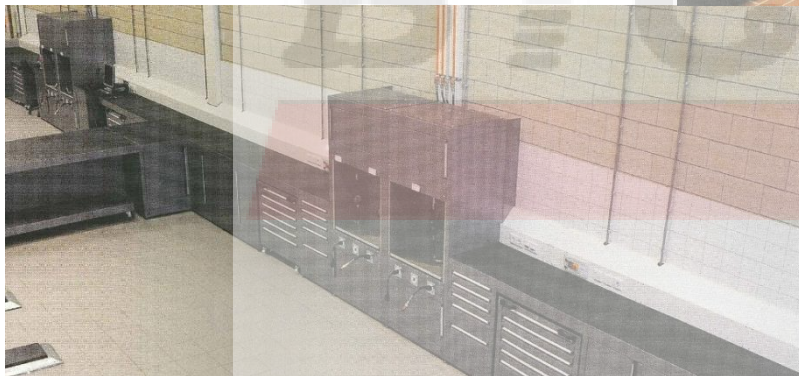
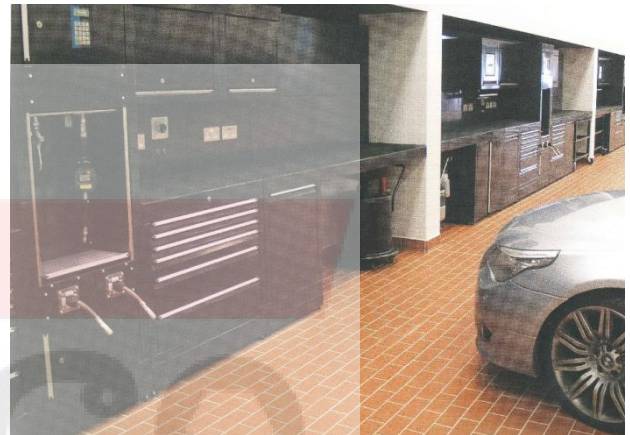
			
952000 / 952100 / 952005	952010 / 002901 / 952015	952020	Ejemplo

OPTIONAL ACCESSOIRES DISPENSER BAR. JUG



REFERENCIA	DENOMINATION
951400	5 liters jug

STATIONARY EQUIPMENT



Dura equipment with main branches:

Audi, Harley Davidson, BMW, Aston Martin, Wolkswagen, Honda, Mercedes-Benz, Ferrari, Lexus, Porsche, Volvo.

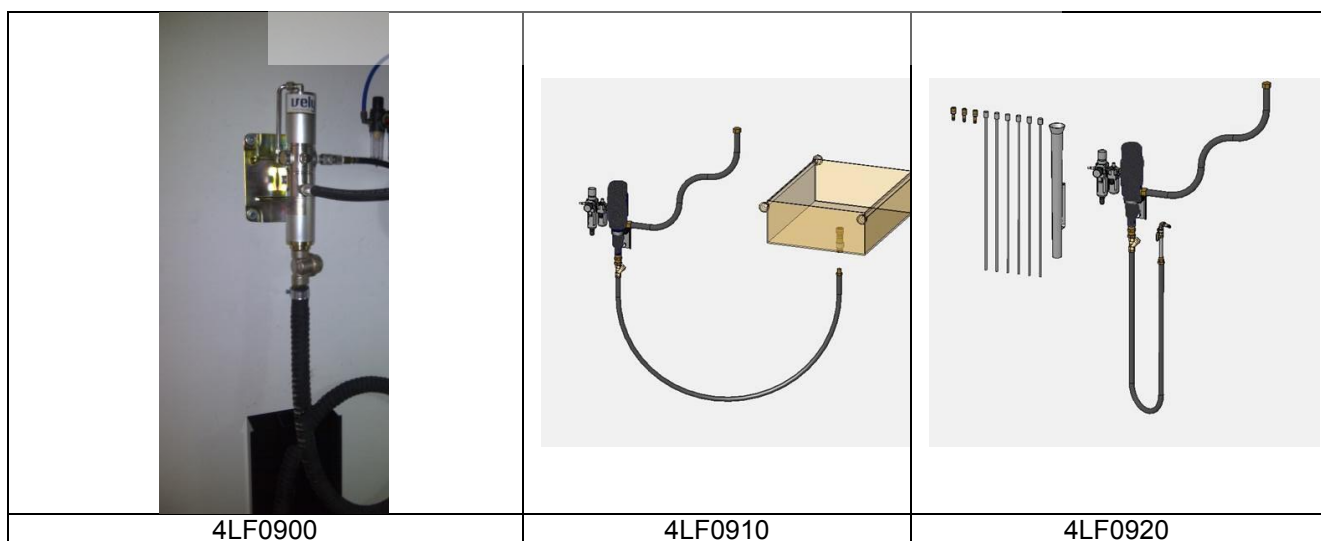
STATIONARY EQUIPMENT



WALL-MOUNTED SUCTION OIL PUMP KIT'S

MODEL	DENOMINATION
4LF0900	Wall-mounted suction oil pump kit with fast connector
4LF0920	Wall-mounted suction oil pump kit for waste-oil pit tray
4LF0910	Wall-mounted suction oil pump kit with probes
4LF0960	Wall-mounted suction oil pump kit with probes and hose reel 8 meters

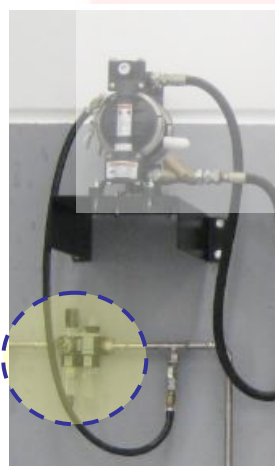
TECHNICAL CHARACTERISTICS				
MODEL	4LF0900	4LF0910	4LF0920	4LF0960
Pump system	Pneumatic			
Ratio	1:1			
Assembly Recommendation	<p>It is recommended to place the suction unit not higher than 2.2 meters from the suction point. Advices for a efficient suction:</p> <ul style="list-style-type: none"> • Temperature of engine motor should be 70/80°C • Maximum distance 6 meters from the pump to the suction point. • Do not use suction probes with smaller diameter of 6 mm and 700 mm length although it is recommended to use 8 mm diameter and 700 mm length. 			
Components.	Oil pump 1:1 Wall-mounted bracket Oil hose 1 meter Oil hose 4 meters Air maintenance unit Quick release adapter In-line filter Fitting unions	Oil pump 1:1 Wall-mounted bracket Oil hose 1 meter Oil hose 4 meters Air maintenance unit Quick release adapter In-line filter Waste-oil pit tray 65 l. Fitting unions	Oil hose 1 meter Oil hose 4 meters Air maintenance unit Quick release adapter In-line filter Suction probes kit ref. 979900 Fitting unions	Oil pump 1:1 Wall-mounted bracket Oil hose 1 meter In-line filter Suction probes kit ref. 979900 Oil hose 4 meters Air maintenance unit Oil hose reel 8m



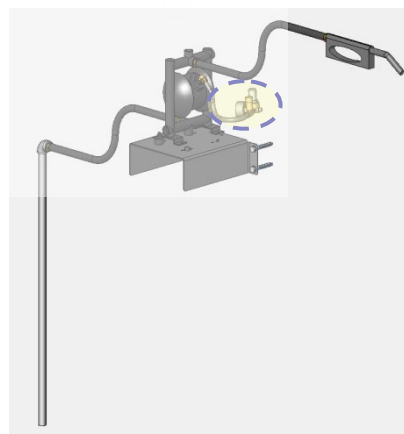
WALL-MOUNTED SUCTION OIL PUMP KIT'S

MODEL	DENOMINATION
4LF0930	Waste-oil suction diaphragm pump kit for 200 litres drum Wall-mounted
4LF0940	Waste-oil/diesel suction diaphragm pump kit -Wall-mounted See configuration below
4LF0950	Waste-oil/diesel suction diaphragm pump kit -Wall-mounted See configuration below
4LF1000	Waste-oil/diesel suction diaphragm pump kit for 1000 litres tank – Wall-mounted

TECHNICAL CHARACTERISTICS				
MODEL	4LF0930	4LF0940	4LF0950	4LF1000
Applications	Waste oil			All fluids, on order if the use is with petrol
Pump system	Pneumatic			
Caudal (l/min)	60			
Assembly Recomm.	<p>It is recommended to place the suction unit not higher than 2.2 meters from the suction point.</p> <p>Advices for a efficient suction:</p> <ul style="list-style-type: none"> • Temperature of engine motor should be 70/80°C • Maximum distance 6 meters from the pump to the suction point. • Do not use suction probes with smaller diameter of 6 mm and 700 mm length although it is recommended to use 8 mm diameter and 700 mm length. 			
Weight (kg)	15	15	15	15
Included	Diaphragm pump 60 l/m Wall-mounted bracket Suction tube 860 mm 2 oil hoses 4 meters Quick release adapter Fitting unions	Diaphragm pump 60 l/m Wall-mounted bracket 2 oil hoses 4 meters	Diaphragm pump 60 l/m Wall-mounted bracket Quick release empty 2 Oil hose 4 m Suction tube 860 mm Kit probes ref 997900	Diaphragm pump 60 l/min Wall-mounted bracket Suction tube 1100 mm Oil/Diesel hose 4 meters Oil/Diesel hose 3 meters Oil/Diesel gun 150 l/min Fitting unions



4LF0930



4LF1000



It is recommended to add manometer / lubricator unit (see page 70).
Air hose is not included (see page 75)



FLUID STORAGE EQUIPMENT AND ACCESORIES

GENERAL FEATURES OF SIMPLE SAFETY TANKS

- **Certified products according to European Directive UNE 53 432/00 (1+2)**
- **High density polyethylene made to avoid corrosion**
- **No maintenance required**
- **Unlimited life**
- **Light weight and easy to transport**
- **Easy, safety and clean installation**
- **Suitable to engine oils, hydraulic oils, lubricants, diesel and fuel oils.**

GENERAL FEATURES OF DOUBLE SAFETY TANKS

- **Certified products according to European Directive UNE 53 432/00 (1+2)**
- **Civil works not required**
- **Safety tray of galvanized steel included.**
- **High resistant components against corrosion.**
- **Gauge level, leak detector and steel support to avoid floor contact.**
- **High resistant union joints against gas oil, diesel oils and fire.**
- **Easy, safety and clean installation**
- **Suitable to storage industrial and agriculture oils, petrol, diesel and fuel oils**

FLUID STORAGE EQUIPMENT



SIMPLE SAFETY TANKS

REFERENCE	DENOMINATION
950100	Polyethylene storage tank, high density, 500 litres
950200	Polyethylene storage tank, high density, 1.000 litres
950000	Polyethylene storage tank, high density, 2.000 litres



TECHNICAL CHARACTERISTICS			
REFERENCE	950100	950200	950000
Capacity (litres)	500	1.000	2.000
Material made	PVC – High Quality		
Sizes (mm):			
Width	1.060	1.360	720
Length	660	720	2.250
Height	955	1.330	1.650

SOUBLE SAFETY TANKS

REFERENCE	DENOMINATION
951500	Double Polyethylene storage tank, 1.000 litres
951600	Double Polyethylene storage tank 1.500 litres
951700	Double Polyethylene storage tank 2.000 litres
950300	Double cased storage tank, 1.000 litres
950800	Double cased storage tank, 1.500 litres
951100	Double cased storage tank, 2.000 litres
950900	Double cased storage tank, 3.000 litres
951300	Double cased storage tank, 5.000 litres

TECHNICAL CHARACTERISTICS								
REFERENCE	951500	951600	951700	950300	950800	951100	950900	951300
Capacity (litres)	1.000	1.500	2.000	1.000	1.500	2.000	3.000	5.000
Material	PVC			Outer Steel/Inner PVC		Steel		
Sizes (mm):	L. 1.420 W. 660 H.1.685	L. 1.720 W. 770 H. 1.720	L. 2.200 W. 770 H. 1.700	L. 1.225 W. 710 H.1.615	L. 1.643 W. 762 H. 1.861	D. 1.200 L. 1.900	D.1.500 L. 2.010	D.1.500 L.3.110
Suitable	Oils and Petrol					Petroleum products and oils with inflammation point lower to 55°C		

(*Others capacities on order..
Some tanks can be added to expand capacity.

REFERENCE	DENOMINATION
952200	Petrol storage tank 486 l.
950302	Gas 200 l. tank

STORAGE ACCESSORIES - GAUGES



950400



951000



970600

REFERENCE	DENOMINATION
950400	Gauge for storage tank 1000 litres
951000	Gauge for storage tank 1500 litres
970600	Radio Frequency Electronic sensor with light signal.

STORAGE ACCESSORIES



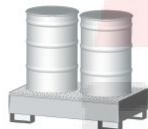
950600



950500
951800



960800



960700



951200

REFERENCE	DENOMINATION
950500	Standard tray for storage tanks 500 litres. LxWxH 0.83x1.50x0.14 m.
951800	Standard tray for storage tanks 2000 litres. LxWxH 2.30x0.75x1.19 m.
950600	Tank-mounting steel bracket for pneumatic pump and hose reel
960700	Steel platform for storage 2 drums 220 litres LxWxH 1.34x0.85x0.34 m.
951200	Plastic platform for storage 1 tanks (20%) of 1.000 litres or 4 drums LxWxH 1.260 x 1.260 x 0.37 m
960800	Stand-up support to suit 3x60 litres drums or 2x220 litres drums. LxWxH 1.4x0.2x0.7 m.

STORAGE ACCESSORIES. TUBES



REFERENCE	DENOMINATION
910500	Suction tube 860 mm
910600	Suction tube 1100 mm with foot valve
910700	Suction tube 1.600 mm with foot valve
910501	PVC Suction tube 860 mm

STORAGE ACCESSORIES. DRUM KEY



REFERENCE	DENOMINATION
973300	Drum Key of ¾" y 2"



MANAGEMENT SYSTEMS, IN-LINE METERS & PULSE TRANSMITTERS

GENERAL FEATURES

Management systems designed to control and monitor dispenses and inventory balances of fluids. Systems adjusted to final customers requirements and only accessible to authorized people.

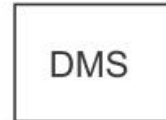
Sistema Gestión con PIN y OR



Posibilidad Gestión Pc



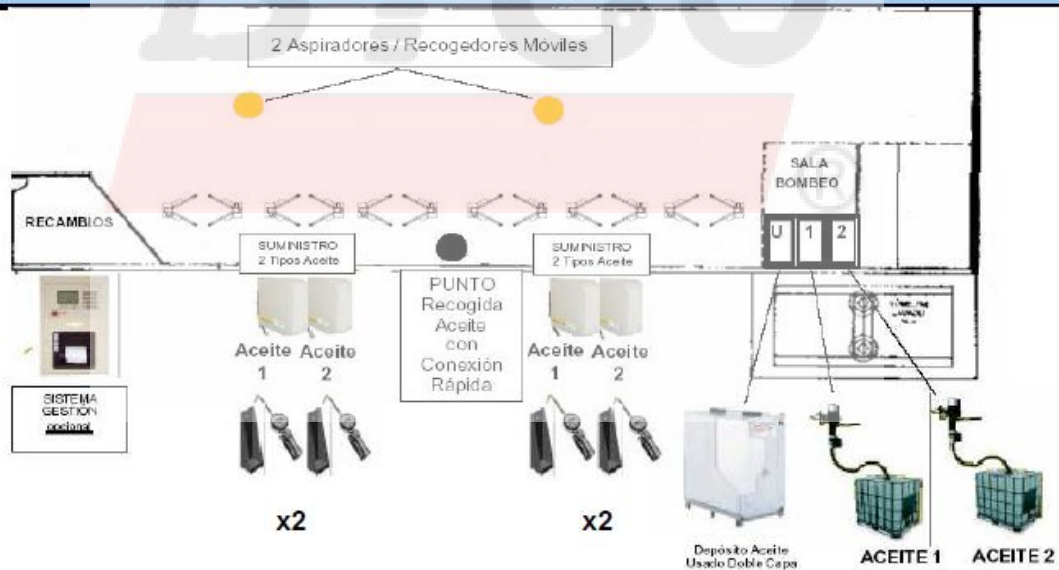
Posibilidad integrar DMS



ADP, Autoline, Automaster,
Quiter, Visma.....

- Control de órdenes
- Control de stocks gráfico de los depósitos
- Histórico de órdenes finalizadas y pendientes

INSTALACIÓN TIPO PARA 8 PUESTOS SUMINISTRO Y REGOGIDA



KEYS FOR SAVING

- Reduce the cost of purchase and increase the profits of the company
- Reduce waste
- Reduction of time at each change
- Better image and quality of work
- Control of the supplied oil and accurate billing (trust both the entrepreneur and the customer)

Visit our summarize video at:

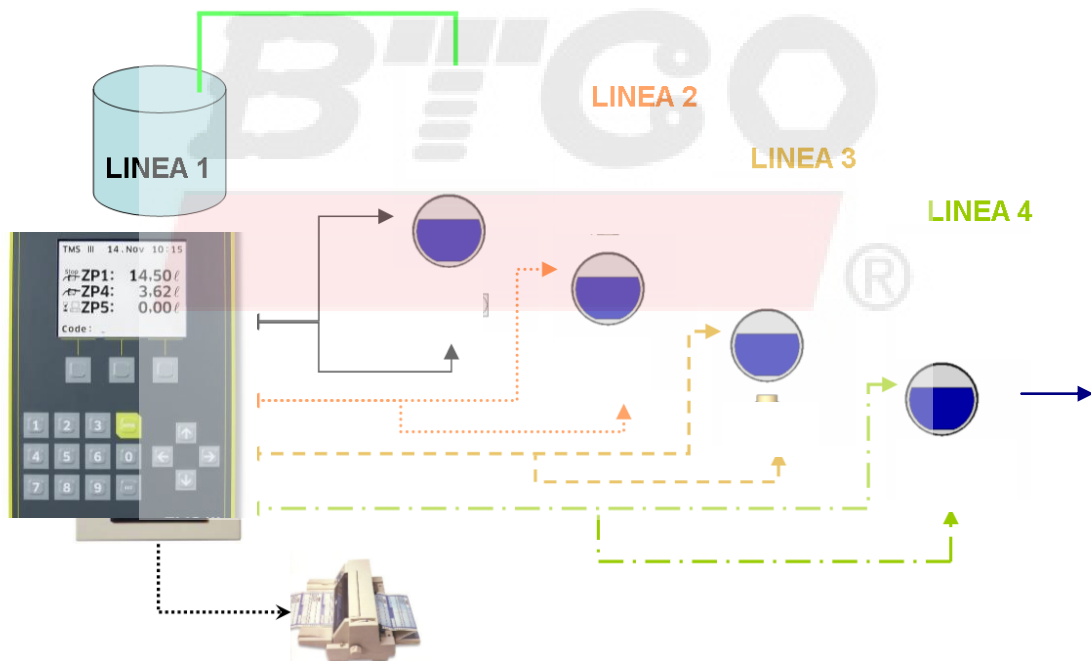
<http://velyen.com/equipo-taller/157/v11-sistema-de-gestion-por-cable-electrico/>

MANAGEMENT SYSTEM

WYRE MANAGEMENT SYSTEM

MODEL	DENOMINATION
4LG0800	Control System V5.1 10 work-places Possible till 350 work-places (under quotation)

TECHNICAL CHARACTERISTICS	
	4LG0800
Number of workplaces	Up to 10
Printer	Integrated
Keyboard	Alphanumeric
Code	Code access
Interface	RS232 from keypad to PC max 100m and RS485 between keypads max 1000m
Electrical features	230 V / 50Hz
Communication	Wire
Control systems	Allowed system with ERP programm (ref 4LG0801) Allowed 4LG0110

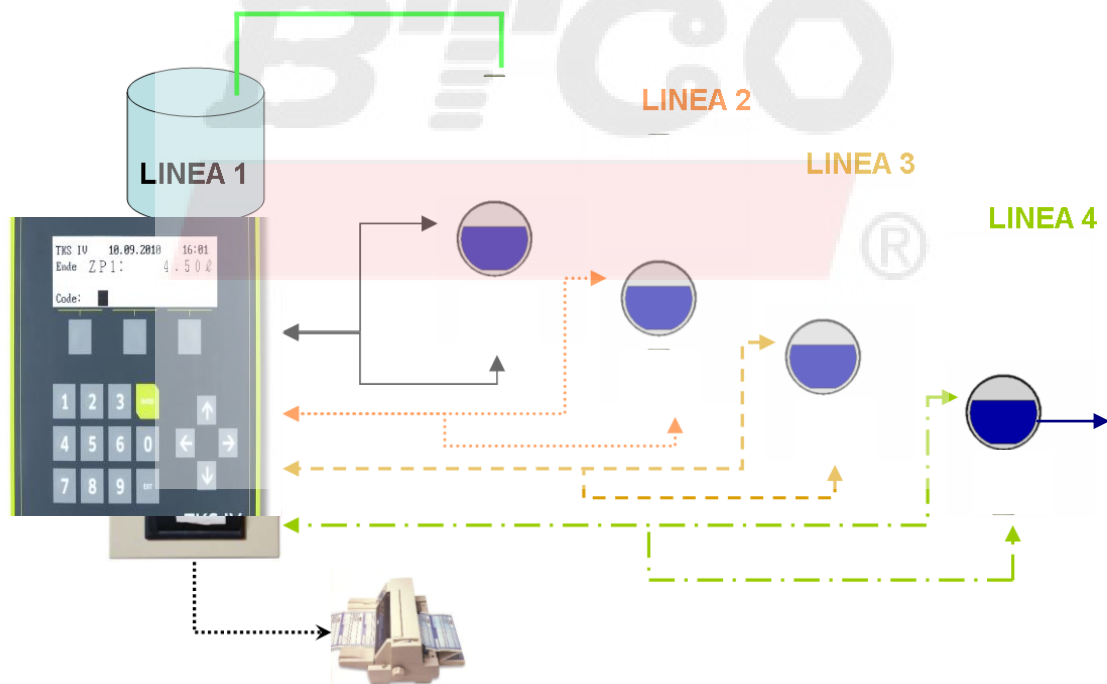


OPTIONAL	DENOMINATION
4LG0801	Software computer connection
4LG0810	Software financial computer connection (Quiter, Autoline,...)
7247100	100 m cable Aceflex 4x0.5 mm ²
4LP3300	Filter, electrovalve and inline kit
4LP3334	Filter, electrovalve and inline kit ¾" Industrial Vehicles
899907	System configuration by Engineer
	Printer (ej. EPSON TMT20)

WYRE MANAGEMENT SYSTEM

MODEL	DENOMINATION
4LG0110	Control System V1.1 4 work-places Personal study and quotation

TECHNICAL CHARACTERISTICS	
	4LG0100
Number of workplaces	Up to 4
Printer	Integrated
Keyboard	Alphanumeric
Code	Code access
Interface	RS232 from keypad to PC max 100m and RS485 between keypads max 1000m
Electrical features	230 V / 50Hz
Communication	Wire
Control systems	



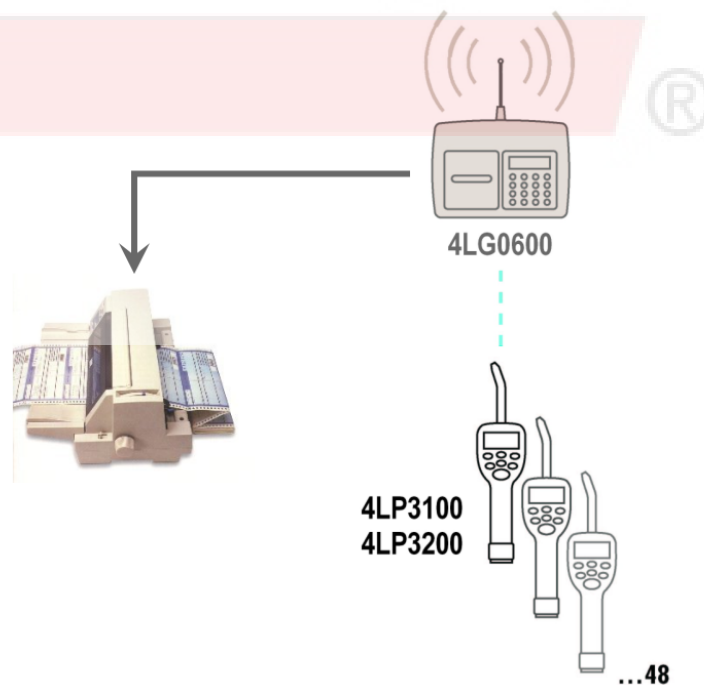
OPCIONAL	DENOMINATION
4LG0801	Software computer connection
4LG0810	Software financial computer connection
7247100	100 m cable Aceflex 4x0.5 mm ²
4LP3300	Filter, electrovalve and inline kit
	Printer (ej. EPSON TMT20)

MANAGEMENT SYSTEM

SIMPLE RADIO FREQUENCY MANAGEMENT SYSTEM

MODEL	DENOMINATION
4LG0600	Keypad with printer for V2. 48 workplaces
994400	Booster for 4LG signal with cable 5 meters

TECHNICAL CHARACTERISTICS	
Number of workplaces	Up to 48
Printer	YES
Keyboard	Alphanumeric
Code	Code access
Interface	RS232
Electrical features	230 V / 50Hz
Communication	Radio Frequency
Control system	4LP3100 or 4LP3200 depending the fluid to control.



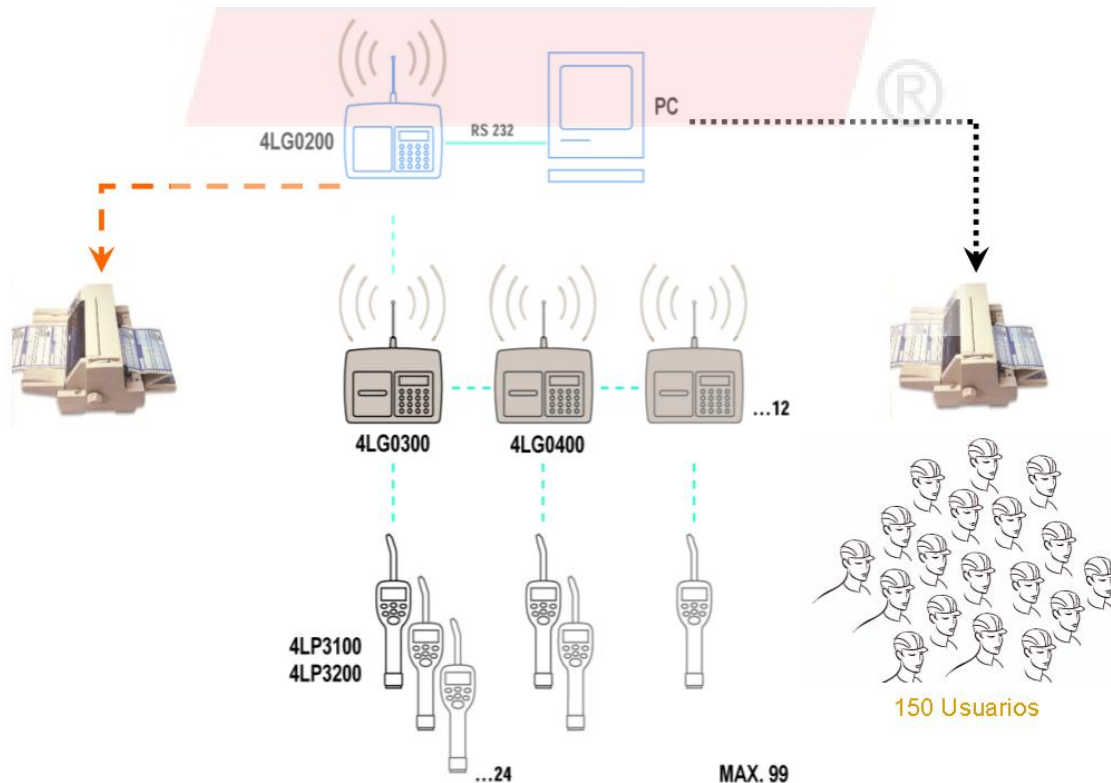
OPTIONAL	DENOMINATION
994300	Autoline – Quiter ERP automatic connection

RADIO FREQUENCY MANAGEMENT SYSTEM

MODEL	DENOMINATION
4LG0200	Master keypad for V3 - 99 workplaces
994400	Booster for 4LG signal with cable 5 meters

TECHNICAL CHARACTERISTICS

Number of workplaces	Up to 99
Printer	Depend of selected keypad
Keyboard	Alphanumeric
Code	Code access
Interface	RS232
Electrical features	230 V / 50Hz
Communication	Radio Frequency
Control system	4LP3100 or 4LP3200 depending the fluid to control.



MANAGEMENT SYSTEM

MECHANICAL IN-LINE METERS

MODEL	DENOMINATION
4LP1100	Mechanical in-line meter for oils, oscillating piston
4LP2000	Mechanical in-line meter for petrol and diesel oils, Left to right flow direction
4LP2800	Mechanical in-line meter for petrol and diesel oils, Right to left flow direction



4LP1100

TECHNICAL CHARACTERISTICS

Application	Oil
Min-Max capacity (litres)	1 -15
Min – Max pressure (bar)	0.5 – 60
Digits	4



4LP2000 4LP2800

TECHNICAL CHARACTERISTICS

MODEL	4LP2000	4LP2800
Application	Gas oil / Petrol	
Flow direction	Left>Right	Flow direction
Inlet-Outlet connection	G 1" F	
Min – max capacity (litres)	20 -120	
Max pressure (bar)	Max. 10	
Digits	Partial counter: 4 Total counter: 7	

DIGITAL IN-LINE METERS

MODEL	DENOMINATION
4LP2100	Digital in-line meter for oils/diesel
4LP2300	Digital in-line meter for anti-freezer liquids
4LP2500	Digital in-line meter for brake fluids

TECHNICAL CHARACTERISTICS			
MODEL	4LP2100	4LP2300	4LP2500
Application	Oils	Anti-freezers	Brake fluids
Suitable for	Pumps, pipeline installations or dispensing guns		
Inlet-Outlet connection	G 1/2" F		
Min – max capacity (litres)	1 – 35		
Max pressure (bar)	0.35 – 70		
Digits	5		



4LP2100



4LP2300



4LP2500

MANAGEMENT SYSTEM

PULSE TRANSMITTERS

MODEL	DENOMINATION
4LP2200	Pulse transmitter for oils/diesel
4LP2400	Pulse transmitter for anti-freezer liquids
4LP2900	Pulse transmitter for brake fluids

TECHNICAL CHARACTERISTICS

MODEL	4LP2200	4LP2400	4LP2900
Application	Oils	Anti-freezers	Brake fluids
Suitable for	Pumps, pipeline installations or dispensing guns		
Inlet-Outlet connection	G 1/2" F		
Min – max capacity (litres)	1 – 35		
Max pressure (bar)	0.35 – 70		
Digits	5		



4LP2200

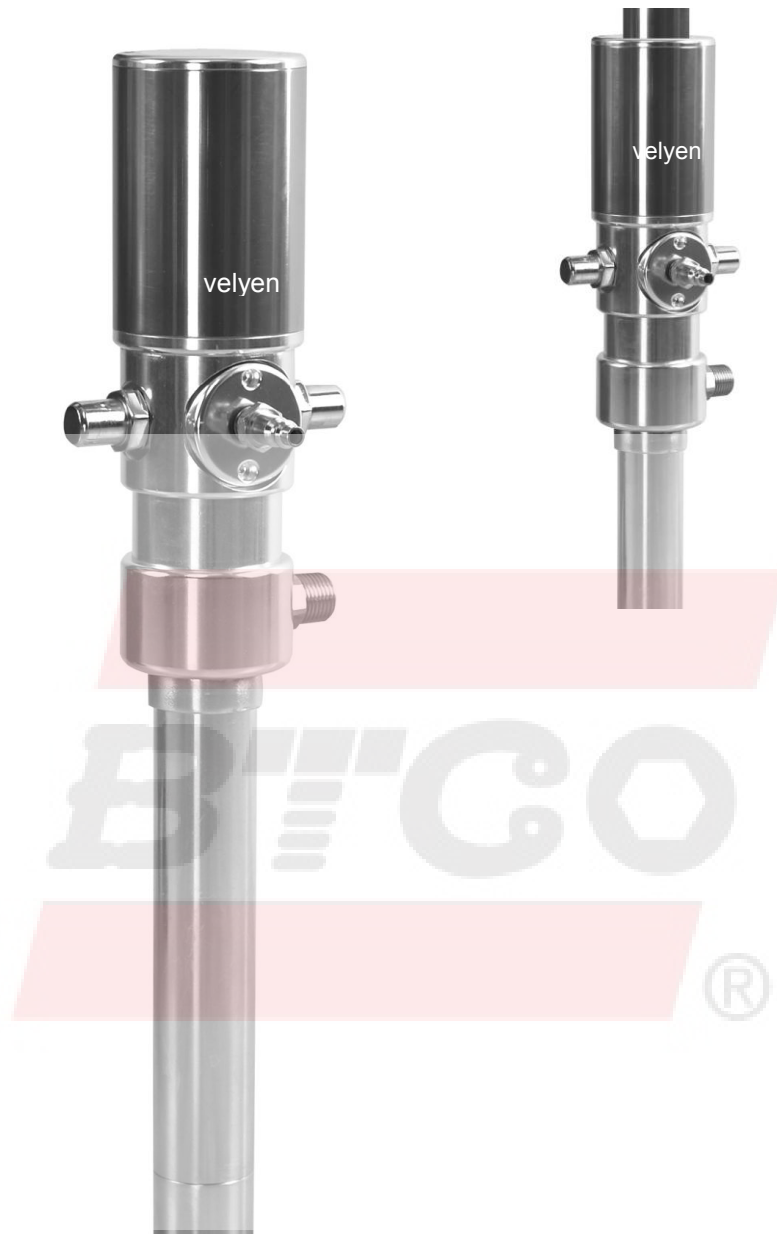


4LP2400



4LP2900





PNEUMATIC PUMPS

PNEUMATIC PUMP

GENERAL FEATURES

PNEUMATIC PUMPS FOR GREASE SUPPLY

- High pressure pneumatic pumps for large flow distribution of all types of greases with viscosity from NLGI 0 to NLGI 3 suitable for short and long distances installations from drums, tanks or pipelines.
- Pumps are designed to guarantee a regular and constant supply with filters that maintain pump parts in good working order.

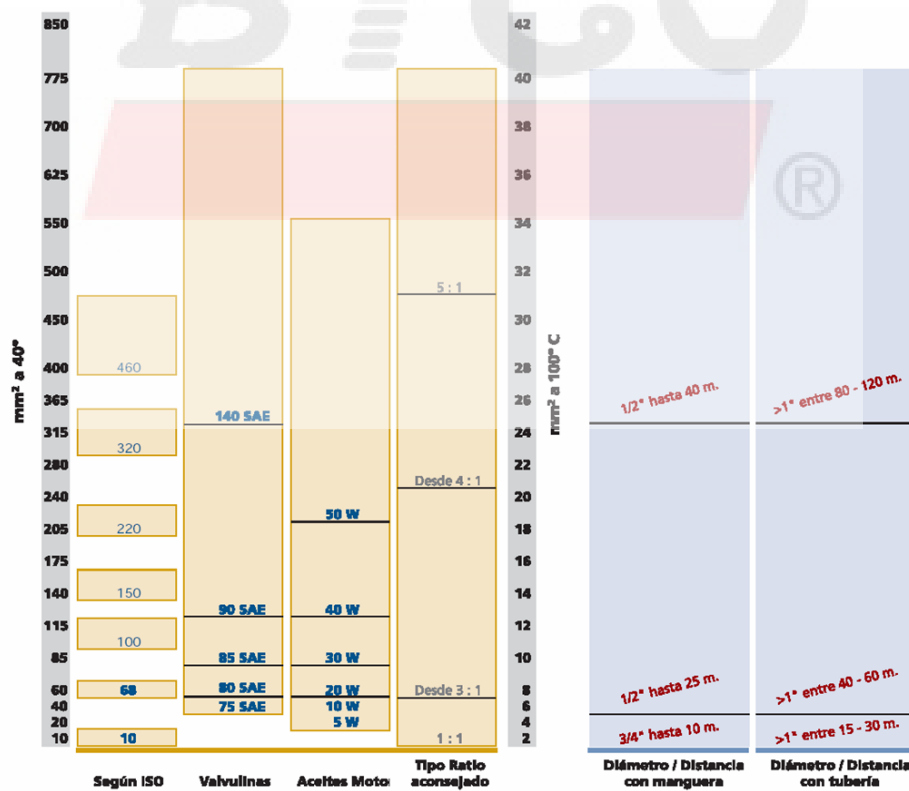
PNEUMATIC PUMPS FOR OILS & OTHER FLUIDS

- Pneumatic pumps for fluids with different viscosities and flows and suitable for short and large distances from drums, tanks or wall-mounting.
- Designed to guarantee a regular and constant supply of fluids (oils, lubricants, diesel oils, anti-freezers, etc...) at high pressures with filters that maintain its parts in good working order.

ASPECTS TO EMPHASIZE

- Pumps designed to work at the maximum output.
- High quality design
- Certified products according to European directives 2006/42/CE
- It is recommended to install an air maintenance unit (manometer/filter) to guarantee a long-life and minimize maintenance and repair works.

COMPARATIVE CHART FOR THE CHOICE OF PNEUMATIC PUMPS



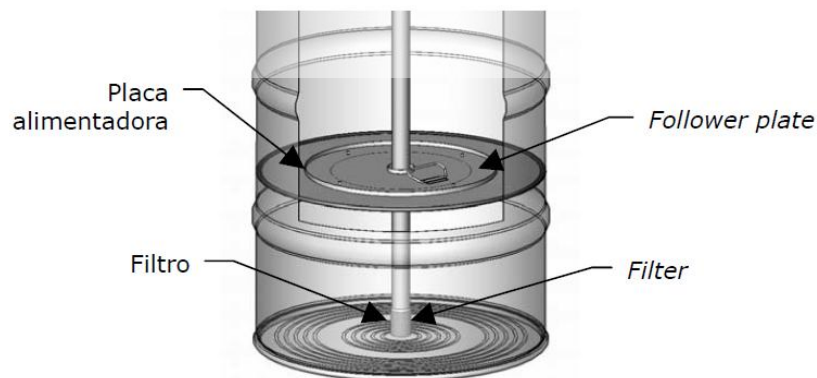
PNEUMATIC PUMP

PNEUMATIC PUMPS FOR GREASE SUPPLY

MODEL	DENOMINATION
4LB0110	Grease pneumatic pump, ratio 1:50, for 37-50 Kg drums Suction tube: 460 mm length.
4LB0210	Grease pneumatic pump, ratio 1:50, for 185 kg drums Suction tube: 740 mm length.



TECHNICAL CHARACTERISTICS		
MODEL	4LB0110	4LB0210
Pump system	Pneumatic	
Pressure ratio	50:1	
Maximum flow (g/min)	800	
Recommended pump distance (m)	1 – 20	
Min-max air pressure (Bar)	10 – 3	
Recommended air pressure (Bar)	5-8	
Airline connection	KR ¼" H	
Grease suction connection (Diameter mm)	35	
Grease pump connection	KR ¼" M	
Aspiration Tube (mm)	480	940
Weight (kg)	5	6



When the application is to pump high viscosity fat or low temperatures, use follower plate is recommended to avoid air pockets and facilitate the departure of grease. The follower plate whose operation is the vacuum pressure created, compressed fat, preventing the formation of air pockets that can block the operation of the pump. Further, the platen maintains clean grease and preserves its characteristics and prevents loss of grease to pick from the top to the bottom of tank.

PNEUMATIC PUMPS FOR OILS & OTHER FLUIDS – RATIO 1:1

MODEL	DENOMINATION
4LB0505	Oil pneumatic pump, ratio 1:1, wall-mounting
4LB0515	Oil pneumatic pump, ratio 1:1, 200 litres drum



TECHNICAL CHARACTERISTICS	4LB0505	4LB0515
Pump system	Pneumatic	
Application	Low viscosity fluids Not recommended for pipeline installations	
Max flow (l/min)	Up to 33	
Recommended pump distance (m)	1 – 10	
Min-max air pressure (Bar)	8 – 2	
Recommended air pressure (Bar)	8	
Airline connection	G 1/4 " H	
Fluid pump connection	G 3/4 " M	
Aspiration Tube (mm)	-	940
Weight (kg)	5	6

PNEUMATIC PUMPS FOR OIL SUPPLY – RATIO 1:3

MODEL	DENOMINATION
4LB0805	Oil pneumatic pump, ratio 1:3, 180-220 litres drum Suction tube: 860 mm length, diameter 27 mm.
4LB0705	Oil pneumatic pump, ratio 1:3, wall-mounting Fluid suction connection: G 3/4 " M



TECHNICAL CHARACTERISTICS	4LB0805	4LB0705
Pump system	Pneumatic	
Application	Low & medium viscosity fluids up to SAE 90	
Max flow (l/min)	Up to 28	
Recommended pump distance (m)	1 – 40	
Min-max air pressure (Bar)	8 – 2	
Recommended air pressure (Bar)	8	
Airline connection	G 1/4 " H	
Fluid pump connection	G 3/4 " M	
Aspiration Tube (mm)	-	940
Weight (kg)	5	6

PNEUMATIC PUMP

PNEUMATIC OIL PUMPS FOR OIL SUPPLY – RATIO 1:5

MODEL	DENOMINATION
4LB1005	Oil pneumatic pump, ratio 1:5, wall-mounting Fluid suction connection: G ¾ " M
4LB0905	Oil pneumatic pump, ratio 1:5, for 180-220 litres drum. Suction tube: 860 mm length, diameter 27 mm.
4LB1805	Oil pneumatic pump, ratio 1:5, for 1500 litres tank Suction tube: 1500 mm length, diameter 27 mm.



TECHNICAL CHARACTERISTICS	4LB1005	4LB0905	4LB1805
Pump system	Pneumatic		
Application	Low, medium & heavy viscosity fluids up to SAE 140. Designed for long distances and lubricants.		
Max flow (l/min)	Up to 25		
Recommended pump distance (m)	1 – 120		
Min-max air pressure (Bar)	8 – 2		
Recommended air pressure (Bar)	8		
Airline connection	G ¼ " H		
Fluid pump connection	G ½ " M		
Aspiration Tube (mm)	-	940	1500
Weight (kg)	5	6	7

WASTE OIL PNEUMATIC PUMP

MODEL	DENOMINATION
4LB2400	<p>Waste Oil Pump 1:1.</p> <p>Flow 24 l/min Peso 8.5 Kg</p> <p>Includes suction hose 1 ", pump and pump bracket WALL</p>

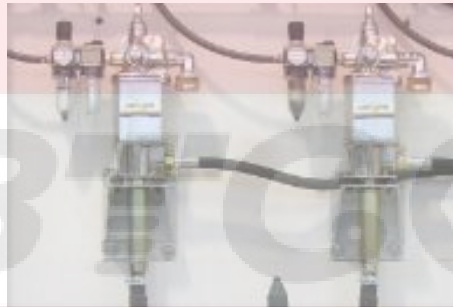
(*) OPTION: Quick Connector Female.

PNEUMATIC INDUSTRIAL PUMPS

MODEL	DENOMINATION
4LB2500	Oil pneumatic pump, ratio 1:3, wall-mounting High capacity 40 l/min

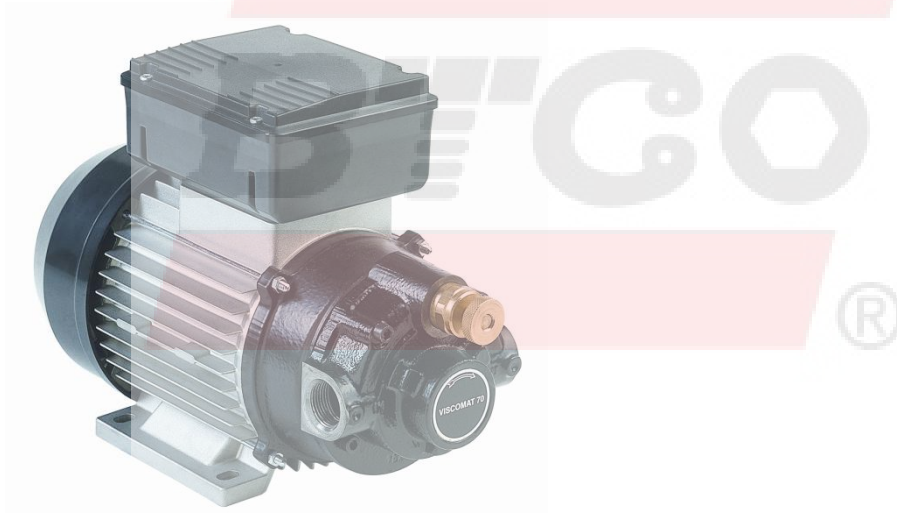
TECHNICAL CHARACTERISTICS

Pump system	Pneumatic
Application	Long distances installations, some working places and low and medium viscosity fluids.
Max flow (l/min)	40
Recommended pump distance (m)	100 – 200
Min-max air pressure (Bar)	8 – 2
Recommended air pressure (Bar)	8
Airline connection	3/8 " NPSM H
Fluid pump connection	1 " BSP H



ANOTHER EQUIPMENT HD PUMPS

Grease pneumatic pump, ratio 1:60 HD 1200 gr. x min
Kit Grease pneumatic pump for wall, ratio 1:60 HD. For drum 185 kg
Oil pneumatic pump, ratio 1:5, wall-mounting HD Flow 35 l/min
Kit Oil pneumatic pump, ratio 1:5, wall-mounting HD. For drum 200 l.



DIAPHRAGM & ELECTRICAL PUMPS

DIAPHRAGM & ELECTRICAL PUMPS

GENERAL FEATURES

- Pumps for fluids with different viscosities and flows and suitable for short and large distances.
- Designed to guarantee a regular and constant supply of fluids (oils, lubricants, diesel oils, anti-freezers, etc...) at high pressures with filters that maintain its parts in good working order.

ASPECTS TO EMPHASIZE

- Pumps designed to work at the maximum output.
- High quality design
- Certified products according to European directives 2006/42/CE



DIAPHRAGM & ELECTRICAL PUMPS

PNEUMATIC DIAPHRAGM PUMPS - RATIO 1:1

MODEL	DESCRIPTION
4LB1201	Diaphragm pump 60 litres/min Fluid suction/pump connection: G 3/4" BSPT Air inlet connection: G 1/4" (NPT-F)
4LB1200	Diaphragm pump 60 litres/min Fluid suction/pump connection: G 3/4" BSPT Air inlet connection: G 1/4" (NPT-F)
4LB1300	Diaphragm pump 250 litres/min Fluid suction/pump connection: G 1" BSPT Air inlet connection: G 1/2" (NPT-F)



TECHNICAL CHARACTERISTICS

MODEL	4LB1200 4LB1300	4LB1201
Suitable for:	All kind of fluids to use with petrol it must be said in order	All kind of fluids except petrol and brake fluids
Characteristics:	<ul style="list-style-type: none"> Recommended pump distance up to 50 m. Maximum noise level according to ISO 9614-2: 74-76 dB. 	

ELECTRICAL PUMPS FOR OIL & LUBRICANTS SUPPLY

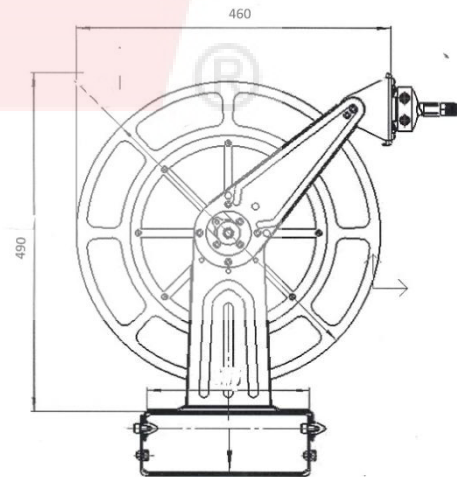
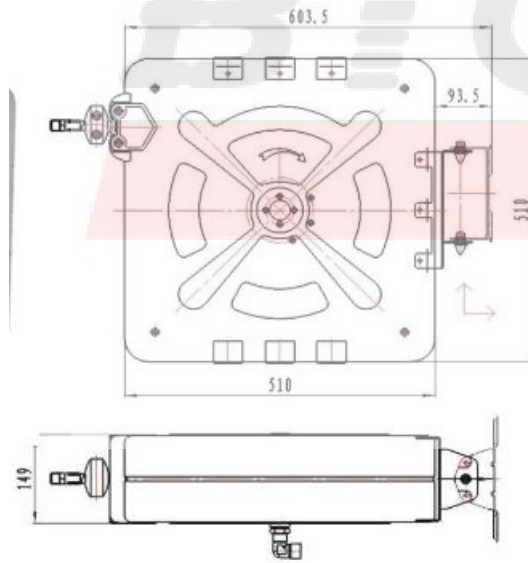
MODEL	DESCRIPTION
4LB1100	Electrical pump, 3 phases, 50 litres/min 50/60 Hz
4LB1400	Electrical pump, single phase, 25 litres/min
4LB1405	Electrical pump with automatic pressure switch, single phase



TECHNICAL CHARACTERISTICS

Electrical features	3 phases	Single Phase
Power	400V- 2000W	230V- 750W
Amperage	5	3.5
Revolutions per minute	1.450	
Max flow (litres/min)	50	25
Fluid suction connection	G 1" F	G 3/4" F
Fluid pump connection	G 1" F	G 3/4" F
Electrical pumps are not suitable for petrol, corrosive and Inflammable liquids.		





HOSE REELS

Available Light Hose Reels and Electrical Hose Reels Under Quotation

GENERAL FEATURES

Hose reels are recommended to create a safe and efficient workplace. They can be fixed on ceiling, wall or floor according to workplace needs.

Hose reels are designed to operate at the maximum output and manufactured with high quality components:

- Automatic stopping at the required length
- High resistance recoil spring
- Self-lubricated tube guide rollers
- No-leak hose-stop
- High resistance flexible hose

Hose reels are the best solution for updated lubricating installations, not only because they are fast and easy handle, but also they contribute in keeping the service room clean and in order.

EMPHASIZED ASPECTS

- Long-life and reliable equipment without leakages
- High-quality surface treatment ensuring high corrosion resistance
- Robust and compact with an attractive design
- Free lubrication maintenance
- Quick and safe rewinding and stopping systems
- Suitable for high pressure air or water, oil, grease and break fluids
- Adjustable for swivelling or fixed position
- Hose reels use guarantees the best workplace conditions with regard to cleanliness, organization and productivity

ADVICES FOR A RIGHT CHOICE

- Determine fluids to be used: air, water, oils, grease, break fluids...
- Number of outlet services
- Required pressure
- Hose length from hose reel to service point
- Fixed or swivelling position
- Open or cased hose reels
- Separated or assembled hose reels (brackets for assembly)

HOSE REELS

GREASE HOSE REEL

MODEL	DESCRIPTION
4LC0910	Open hose reel for grease. Hose length 15m
4LC1010	Cased hose reel for grease. Hose length 15m



TECHNICAL CHARACTERISTICS

MODEL	4LC0910
Application	Grease
Hose Reel (m)	15
Racor Connection	R 1/4" Male
Inlet Connection	R 3/8" Male
Model	Open
Hose Diameter (mm)	17
Inlet Hose Union (m)	0.80
Weight (kg)	26
Measures Al x An x Pr. (mm)	542x545x156



TECHNICAL CHARACTERISTICS

MODEL	4LC0910
Application	Grease
Hose Reel (m)	15
Racor Connection	R 1/4" Male
Inlet Connection	R 3/8" Male
Model	Cased
Hose Diameter (mm)	17
Inlet Hose Union (m)	0.80
Weight (kg)	22.6
Measures Al x An x Pr. (mm)	510x540x195

HOSE REELS FOR OIL SUPPLY

MODEL	DESCRIPTION
4LC2109	Compacted Cased hose reel for oil. Hose length 9 m.
4LC1105	Open hose reel for oil. Hose length 15 m. BASIC
4LC2112	Compacted Cased hose reel for oil. Hose length 12 m.



TECHNICAL CHARACTERISTICS

MODEL	4LC1105
Application	Oil
Hose Reel (m)	15
Racor Connection	R 1/2" Hembra
Inlet Connection	R 1/2" Hembra
Model	Open
Hose Diameter (mm)	17
Inlet Hose Union (m)	0.70
Weight (kg)	23
Measures Al x An x Pr. (mm)	460 x 230 x 490



TECHNICAL CHARACTERISTICS

MODEL	4LC2109	4LC2112
Application	Oil	
Hose Reel (m)	9	12
Model	Cased	
Weight (kg)	21	
Measures Al x An x Pr. (mm)	510 x 149 x 604	

HOSE REELS

HOSE REELS FOR AIR / WATER / ANTI-FREEZER LIQUID SUPPLY

MODEL	DESCRIPTION
4LC1310	Open hose reel for air/water/anti-freezer. Hose length 15 m
4LC1410	Cased hose reel for air/water/anti-freezer. Hose length 15 m



TECHNICAL CHARACTERISTICS

MODEL	4LC1310
Application	Air, Water and Anti-Freezer
Hose Reel (m)	15
Racor Connection	R 1/2" Male
Inlet Connection	R 1/2" Male
Model	Open
Hose Diameter (mm)	19.5
Inlet Hose Union (m)	0.80
Weight (kg)	24
Measures Al x An x Pr. (mm)	542x545x156



TECHNICAL CHARACTERISTICS

MODEL	4LC0910
Application	Air, Water and Anti-Freezer
Hose Reel (m)	15
Racor Connection	R 1/2" Male
Inlet Connection	R 1/2" Male
Model	Cased
Hose Diameter (mm)	19.5
Inlet Hose Union (m)	0.80
Weight (kg)	21.4
Measures Al x An x Pr. (mm)	510x540x195

Available Water, Air, Grease, Oil, Diesel Hose Reels 3/4", 3/8", 1" till 50 meters, under quotation.

P. Eixemple:

- Oil Hose Reel 30 m 1/2" 980 €
- Oil Hose Reel 20 m 3/4" 980 €
- Oil Hose Reel 15 m 1" 1.000 €
- Oil Hose Reel 30 m 1" 1.200 €



HOSE REELS FOR BRAKE FLUID AND PETROL SUPPLY

CARRETES SUMINISTRO LÍQUIDO FRENOS Y GASOLINA

MODELO	DESCRIPCIÓN
4LC1710	Open hose reel for brake fluid and petrol. Hose length 15 m
4LC1810	Cased hose reel for brake fluid and petrol. Hose length 15 m



TECHNICAL CHARACTERISTICS

MODEL	4LC1710
Application	Brake fluid and Petrol
Hose Reel (m)	15
Racor Connection	R 1/2" Male
Inlet Connection	R 1/2" Male
Model	Open
Hose Diameter (mm)	19.5
Inlet Hose Union (m)	0.80
Weight (kg)	24
Measures Al x An x Pr. (mm)	542x545x156



TECHNICAL CHARACTERISTICS

MODEL	4LC1810
Application	Brake fluid and Petrol
Hose Reel (m)	15
Racor Connection	R 1/2" Male
Inlet Connection	R 1/2" Male
Model	Cased
Hose Diameter (mm)	19.5
Inlet Hose Union (m)	0.80
Weight (kg)	21.4
Measures Al x An x Pr. (mm)	510x540x195

HOSE REELS FOR ELECTRICITY

MODEL	DESCRIPTION
4LC2000	Electrical Hose Reel

HOSE REELS SPECIAL COMPACT COMPRESSED AIR

MODEL	DESCRIPTION
4LC3115	Air Compressed 15 m Compacted Case Hose Reel



B!GO



CONTROL GUN

GENERAL FEATURES

Complete range of high quality control guns can be used together with mechanical or digital in-line meters. Guns are available with 90° flexible nozzle or 30° rigid nozzle

TYPE OF FLUID AND RIGHT CHOICE

- Compressed air spray guns
- Air blow guns
- Mechanical hose end meters
- Digital hose end meters
- Preset hose end meters
- Oil gun with non-drip device
- Grease control guns
- Water guns
- Radio frequency guns

CONTROL GUN




OIL GUN






MODEL	DENOMINATION
4LP0100	Manual oil gun G ½ "
4LP0405	Digital oil gun, 90° flexible nozzle
4LP0410	Digital oil gun, 90° flexible nozzle
4LP0500	Digital oil gun, 30° rigid nozzle
4LP0800	Digital preset oil gun, 30° rigid nozzle
4LP0900	Digital preset oil gun, 90° flexible nozzle
4LP0600	Mechanical oil gun, 90° Flexible nozzle
4LP0700	Mechanical preset oil gun, 90° flexible nozzle
4LP3100	Digital oil gun for radio frequency management systems

TECHNICAL CHARACTERISTICS			
MODEL	4LP0100	4LP0800	4LP0900
Nozzle	90° Flexible	90° Flexible	90° Flexible
Model	Manual	Mechanical	Mechanical
Weight (kgs)	0.5	1.5	1.5
Capacity (Min- Max)	0-40 liters	1 -15 liters	
Inlet connection	G ½ " Female		
Outlet	Non-drip nipple		
			
Flexible 90°			
			
Rígido 30°			

DENOMINATION
Oil Gun 1"
Heavy Vehicles Oil Gun ¾"

CONTROL GUN

TECHNICAL CHARACTERISTICS		
MODEL	4LP0405	4LP0500
Nozzle	90° Flexible	30° Rigid
Model	Digital	
Capacity Min - Max	1-28 liters	
Inlet connection	G ½ " Female	
Outlet	Non-drip nipple	
 Flexible 90°		
 Ríaido 30°		

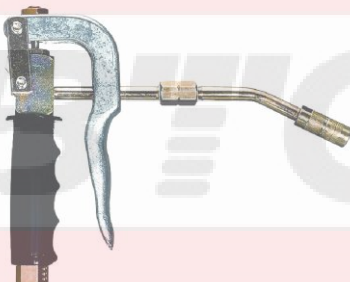

TECHNICAL CHARACTERISTICS			
MODEL	4LP0600	4LP0700	4LP3100
Nozzle	30° Rigid	90° Flexible	90° Flexible
Model	Digital		
Capacity (Min- Max)	1 – 30 litres		
Inlet connection	G ½ " Female		
Outlet	Non-drip nipple		
 Flexible			
 Ríaido 30°			

CONTROL GUN



GREASE GUN





MODEL	DENOMINATION
4LP2600	Manual greaser with cartridge DIN 1283
4LP1300	Manual grease gun G ¼ " F
4LP2700	Pneumatic greaser with cartridge DIN 1283
4LP1400	Digital grease gun G ¼ " F





TECHNICAL CHARACTERISTICS		
MODEL	4LP1300	4LP1400
Outlet connection	G 1/8 " Female	
Type	Manual	Type
Inlet connection	G ¼ " Female	Inlet connection
Gun end	Nipple	
		

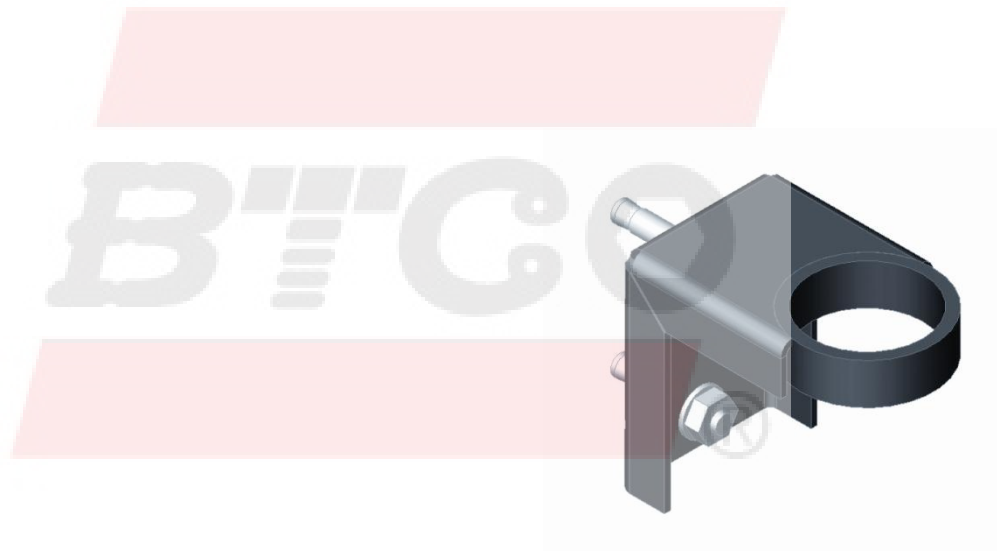
TECHNICAL CHARACTERISTICS		
MODEL	4LP2600	4LP2700
Nozzle	Flexible	
Type	Manual	Type
Salida	Nipple	
Inlet connection	DIN 1283	
Filling	Standard cartridge or bulk filling.	
		

OTHER FLUIDS GUN

MODEL	DENOMINATION
4LP1600	Air blow gun
4LP1800	Manual gun for diesel, petrol & liquid oils, up to 150 litres/min
4LP1500	Spray gun
4LP3000	Lubricant injector
4LP1700	Water gun
4LP1900	Air blow gun with graduated dial
4LP1000	Digital gun for special fluids, 90° flexible nozzle.
4LP3200	Digital gun for radio frequency management systems

TECHNICAL CHARACTERISTICS				
MODEL	4LP1000	4LP1500	4LP1600	4LP1700
Nozzle	90° Flexible	Rigid	-	Rigid
Application	Anti-freezer liquid & brake fluid	Petrol and Water	Air	Water, oil, brake fluid & anti-freezer liquids
Inlet	G 1/2" F	Fast connector 470200		G 1/4" F
Outlet	Anti-drip nipple	-	-	-
				

TECHNICAL CHARACTERISTICS				
MODEL	4LP1800	4LP1900	4LP3000	4LP3200
Nozzle	Rigid	Flexible	Flexible tube	90° Flexible
Application	Diesel, petrol and liquid oils	Air	Lubricant	Other fluids
Inlet	G 1" F	G 1/4" F	-	G 1/2" F
Outlet	-	Pumping adapter 5713000	-	Anti-drip nipple
				



AUXILIARY ELEMENTS



AUXILIARY ELEMENTS

AUXILIARY ELEMENTS. WALL MOUNTED BRACKET



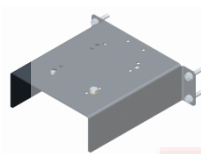
960500

REFERENCE	DENOMINATION
960500	Wall-mounting bracket for pneumatic pumps

AUXILIARY ELEMENTS. BRACKET DIAPHRAGM & ELECTRICAL PUMPS



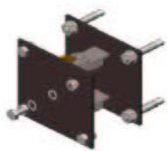
001674



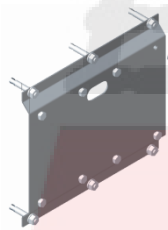
960600

REFERENCE	DENOMINATION
960600	Wall-mounting bracket for diaphragm/electrical pumps
961000	Rubber vibration absorber for diaphragm pumps
001674	Handle support for transport

AUXILIARY ELEMENTS. BRACKETS FOR HOSE REELS



960301



960901

REFERENCE	DENOMINATION
960303	Wall-mounting bracket for hose reel, 90° swivel
960903	Wall-mounting bracket for 2 hose reels assembly

AUXILIARY ELEMENTS. BRACKET FOR CONTROL GUN



REFERENCE	DENOMINATION
921200	Anti-drip wall bracket for 1 gun

AUXILIARY ELEMENTS. AIR MAINTENANCE



920000

REFERENCE	DENOMINATION
920000	Air maintenance unit (manometer/lubricator with filter) G 1/4" M – Quick release adapter
921000	Oil for lubricating filter
4793000	Manometer with lubricator

AUXILIARY ELEMENTS. DRUM TROLLEYS

REFERENCE	DENOMINATION
960000	Drum trolley 5 – 60 Kg
960100	Drum trolley 180 – 220 Kg
961400	Drum trolley 180 – 220 Kg. Folding

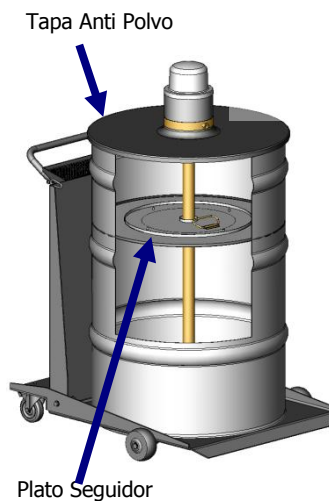


960000

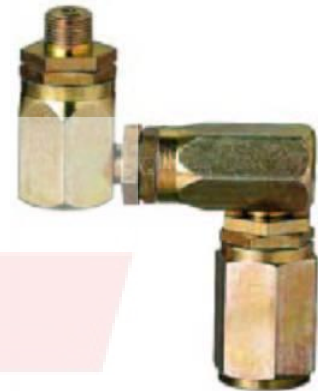
960100

961400

ANTI-DUST DRUM COVERS & FOLLOWER PLATES



REFERENCE	DENOMINATION
0931100	Anti-dust cover for grease drum 37 Kg
0550500	Anti-dust cover for grease drum 25-60 Kg
4775000	Anti-dust cover for grease drum 185 Kg
0548500	Follower plate for grease drum 37 Kg
0550400	Follower plate for grease drum 25-60 Kg
941000	Follower plate for grease drum 185 Kg



BINGO

®



HANDLING ACCESSORIES








HANDLING ACCESORIES





HOSE END COUPLERS & ADAPTERS

IMAGE	REFERENCE	DESCRIPTION
	921800	Coupler G 3/4" M-M
	2680700	Coupler G 1/4" M-M, cylindrical thread
	0343800	Grease coupler G 1/4" M-M, conic thread
	983200	Coupler G 1/2 " M-M
	983000	Coupler G 3/4 " M-M
	982400	Coupler G 3/4" M – G 1/2" F
	003993	Coupler G 3/4" M - G 1" F
	002647	Coupler G 3/4" F – G 1" M
	921900	Coupler G 1" M – G 1/2" F
	922000	Coupler G 1" M – G 3/4" F
	982500	Coupler G 1" M – G 3/4" M
	981800	Coupler G 1" M – G 1/2" M
	982600	Coupler G 1" M – G 3/4" H
	001602	Coupler G 1" M – G 3/4" M
0529400	Swivel coupler G 1/2" M-F	
	0343100	Swivel coupler G 1/2" F-F
	982100	Coupler G 1/2 " F-F
	913800	Coupler G 1/8" F-F
	961200	Drum coupler for pipes, diameter 27,5 mm
	961300	Drum coupler for pipes, diameter 37,5 mm
	001465	Drum coupler for pipes, diameter 40 mm
	0246200	Drum coupler for pipes, diameter 47 mm
	982000	Coupler 90° bend, G 3/4" M-F
	913400	Coupler 90° bend, G 1/8" M-F
	5713000	Pumping adapter (Accessory for Air Blow Gun 4LP1900)
	0822500	Hose end adapter G 1/4" M - ISO R-7
	0146100	Hose end adapter G 1/4" F – ISO R-8
	4701000	Quick release adapter G 1/4" M – FEMALE ISO R-7
	4702000	Quick release adapter G 1/4" M – MALE ISO R-7


VALVES

IMAGE	REFERENCE	DESCRIPTION
	920700	Grease valve 400 bar G 1/4" F-F
	920800	Grease Valve 400 bar G 1/4" M-M
	921700	Oil valve 30 bar G 3/4" F-F
	9365900	Oil valve G 1" F-F Lever
	983100	Oil valve G 1/2" F-F PN40
	972000	Oil valve for probes G 1/4" F-F
	920900	Overflow oil valve 20 bar
	920600	Safety grease valve G 1/4" F-F

SWIVEL CONNECTORS

IMAGE	REFERENCE	DESCRIPTION
	913500	Straight swivel connector G 1/8" M-F
	4795100	Straight swivel connector G 1/2" M-F
	914100	Straight swivel connector G 1/4" M-F
	4795300	Straight swivel connector G 1/4" M-M
	914400	Double swivel connector G 1/4" M-F
	914300	Triple swivel connector G 1/4" M-F
	4795200	Triple swivel connector G 1/4" M-M

FILTER

IMAGE	REFERENCE	DESCRIPTION
	920300	In- Line Oil Filter 1/2" H
	921400	In- Line Oil Filter 3/4" H

HANDLING ACCESORIES

SPECIAL HOSES AND ACCESSORIES



REFERENCE	DENOMINATION
920100	Air coiled hose 5 m with quick release connector G 1/4" F-F
920200	Air coiled hose 7,5 m with quick release connector G 1/4" F-F
0417000	Hose storage rack
980700	Diesel oil hose 3 m - G 1" M-M for 4LP1800
980900	Grease connecting hose 1.5 m - G 1/4" F-F
982900	Oil connecting hose 1.5 m G 1/2" F - G 3/4" M

AIR / WATER HOSES



REFERENCE	DENOMINATION
981900	Air/water hose 0.7 m - G 1/4" F-F
980100	Air/water hose 1 m - G 1/4" F-F
980200	Air/water hose 3 m - G 1/4" F-F
980300	Air/water hose 5 m - G 1/4" F-F
980400	Air/water hose 10 m - G 1/4" F-F
980500	Air/water hose 15 m - G 1/4" F-F
980600	Air/water hose 20 m - G 1/4" F-F
983400	Air/water hose 2 m - G 3/4" M-F

OIL HOSES



REFERENCE	DENOMINATION
921600	Oil hose 0.5 m - G 3/4 F-F
981100	Oil hose 1 m – G 3/4" M-F
981200	Oil hose 2 m – G 3/4" M-F
981300	Oil hose 3 m – G 3/4" M-F
981400	Oil hose 4 m – G 3/4" M-F
981500	Oil hose 5 m – G 3/4" M-F
981600	Oil hose 8 m – G 3/4" M-F
0547200	Oil hose 0.7 m – G 1/2" M-M
0547300	Oil hose 1 m - G 1/2" M-M
0547400	Oil hose 2 m – G 1/2" M-M
0553700	Oil hose 4 m – G 1/2" M-M
0547600	Oil hose 8 m - G 1/2" M-M
0553800	Oil hose 10 m – G 1/2" M-M
001090	Oil hose 15 m - G 1/2" M-M

GREASE HOSES



REFERENCE	DENOMINATION
0554900	Grease hose 1 m - G 1/4" F-F
0821500	Grease hose 2 m, G 1/4" M – G 1/8" H
0555000	Grease hose 2 m - G 1/4" F-F
0555100	Grease hose 4 m – G 1/4" F-F
0555400	Grease hose 10 m - G 1/4" F-F
001091	Grease hose 15 m - G 1/4" F-F

HANDLING ACCESORIES

COUPLERS ADAPTERS FOR GREASE NIPPLES (GUNS 4LP1300 & 4LP1400)

REFERENCE	DENOMINATION
910800	Grease coupler with SF for H-nipples, Ø 15 mm, G 1/8" F, 37 mm length
910900	Grease coupler with SF for H-nipples Ø 13 mm, G 1/8" F, 42 mm length
911000	Reinforced grease coupler with SF for H-nipples, Ø 15 mm, G 1/8" F with valve, 37 mm length
911100	Precision machined grease coupler with SF, Ø 15 mm, G 1/8" F
911200	Universal grease coupler for H&K nipples, G 1/8" F, DIN 3402
911300	Pointed grease coupler for H&K nipples, G 1/8" F, DIN 3405
911400	Flat button head coupler, slide-on type, for M1 & T1 nipples Ø 16 mm, G 1/8" F, DIN 3404
911500	Flat button head coupler for M1 & T1 button head nipples, Ø 16 mm, G 1/8" F, DIN 3404
911600	Standard button head coupler for M1 & T1 nipples, Ø 16 mm, G 1/8" F, DIN 3404, 0,42"
911700	Standard button head coupler for M1 & T1 nipples, Ø 22 mm, G 1/8" F, DIN 3404, 0,86"
911800	Standard button head coupler for M1 & T1 nipples, Ø 10 mm, G 1/8" F, DIN 3404, 0,39"



TUBE



REFERENCE	DENOMINATION
912800	Straight adapter without nipple, G 1/8" M-M
912900	Angled adapter with nipple G 1/8" M

FLEXIBLE HOSES FOR GREASE NIPPLES (GUNS 4LP1300 & 4LP1400)



With
Nipple

Without
Nipple

Price List - (V.A.T. REFERENCE	DENOMINATION
913000	Flexible hose 11x300 mm, G 1/8" M-F
913100	Flexible hose 11x500 mm, G 1/8" M-F
913200	Flexible hose with nipple 11x300 mm, G 1/8" M-F
913300	Flexible hose with nipple 11x500 mm, G 1/8" M-F

SET OF NIPPLES & COUPLERS

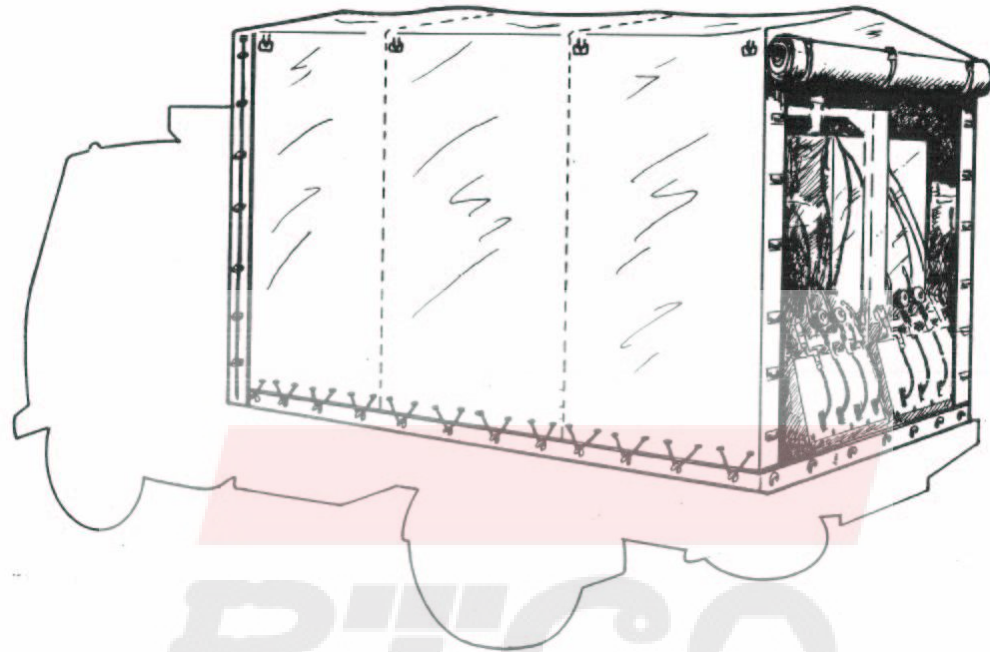


REFERENCE	DENOMINATION
913900	Standard set of nipples and couplers, G 1/8" F

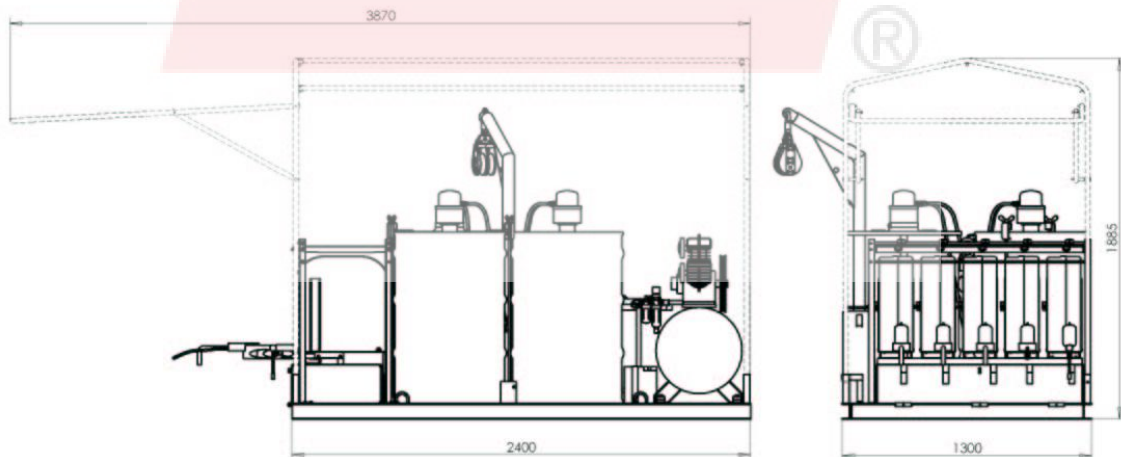
HYDRAULIC NIPPLES FOR GREASE GUN 4LP1200



REFERENCE	DENOMINATION
4101000	Hydraulic nipple, 160 mm, G 1/4" F
4102000	Hydraulic nipple, 165 mm, G 1/4" F
4102400	Giant hexagonal nipple, 165 mm, G 1/4" F
4104000	Rold nipple, 145 mm, G 1/4" F
4105000	Hydraulic nipple, 70 mm, G 1/4" F
4106000	Hexagonal nipple, 60 mm, G 1/4" F
4108000	Rold nipple, 60 mm, G 1/4" F
4401100	Cancelled. Replaced by 4LP1300 + 913300



BINGO



MOBILE EQUIPMENT ON PLATFORMS & TRAILERS

► UN GRAN NEGOCIO TE ESPERA
¿VAS A PODER IR?



EQUIPOS DE LUBRICACIÓN SOBRE PLATAFORMA MÓVIL.

No dejes escapar la oportunidad de introducirte en el sector de la minería y desplázate cómodamente para ofrecer tus servicios con nuestros equipos.

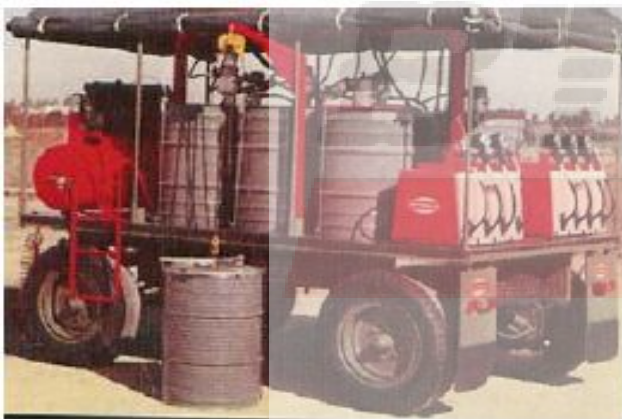
Más info en www.velyen.com



EQUIPMENT ON PLATFORMS

MOBILE EQUIPMENT ON PLATFORM & TRAILERS

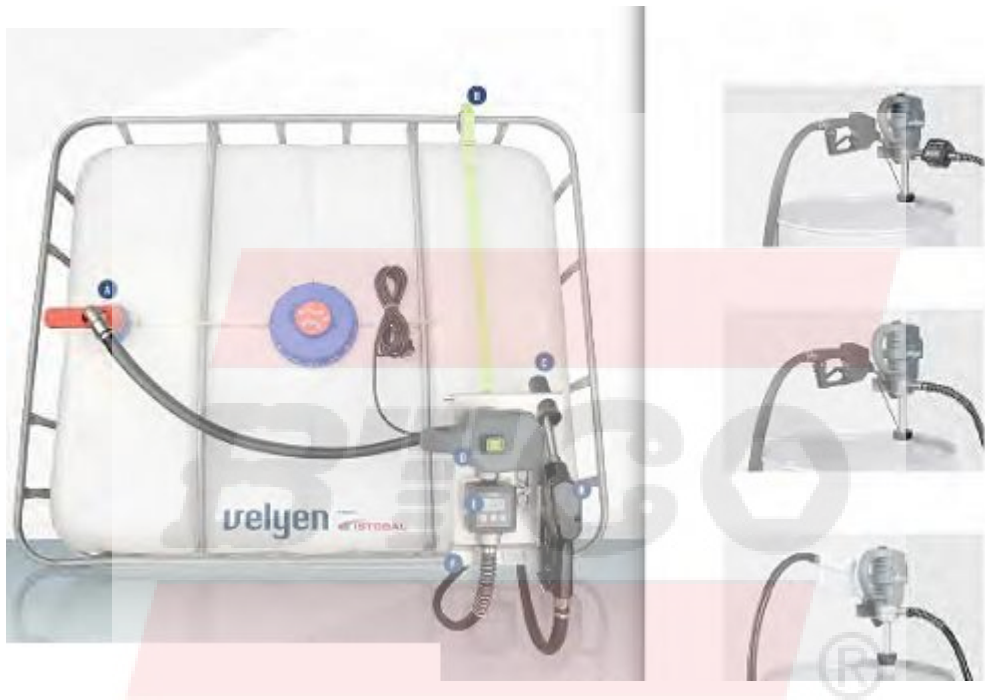
MODEL	DENOMINATION
4LE0100	Mobile Equipment on platform (1800x880x1100 mm) for 60 litres drums. 4 Services: 1 Air + 1 Grease + 2 Oil.
4LE0200	Mobile Equipment on platform (1800x880x1100 mm) for 60 litres drums. 5 Services: 1 Air + 1 Grease + 3 Oil.
4LE0300	Mobile Equipment on platform (2500x2000x1590 mm) for 220 litres drums. 5 Services: 1 Air + 1 Grease + 3 Oil.
4LE0400	Mobile Equipment on platform (2500x2000x1590 mm) for 220 litres drums. 5 Services: 1 Air + 1 Grease + 4 Oil.
4LE0500	Mobile Equipment on platform (3500x2000x1590 mm) for 220 litres drums. 7 Services: 1 Air + 2 Grease + 4 Oil.
4LE0600	Mobile Equipment on platform (3500x2000x1590 mm) for 200 litres drums. 8 Services: 1 Air + 2 Grease + 5 Oil.
4LE0700	Mobile Equipment on trailer (2890x1560x1780 mm) for 60 litres drums. 4 Services: 1 Air + 1 Grease + 2 Oil.
4LE0800	Mobile Equipment on trailer (2890x1560x1780 mm) for 60 litres drums. 6 Services: 1 Air + 1 Grease + 4 Oil.



OTHER SERVICES ADAPTABLE TO THE MOBILE EQUIPMENT

MODEL	DENOMINATION
4212000	DIESEL SERVICE for mobile service Equipment. 500 litres drum, pneumatic pump, volumetric meter, 4 metres hose and hose hanger.
4212100	WATER SERVICE for mobile service Equipment. 500 litres stainless steel drum, hose reel with 10 meters hose and water gun (4LP1700).
4212200	PRESSURE WATER SERVICE for mobile service Equipment. 500 litres stainless steel drum, pneumatic pump (max pressure 30 bar), hose reel with 10 metres hose and spraying gun





AD BLUE



ADBLUE SYSTEM



In order to meet the Euro IV & V regulations to govern the emission of exhaust gases, commercial vehicle and engine manufacturers have implemented Selective Catalytic Reduction technology (SCR). This uses a high-purity urea solution (trademarked as AdBlue®). This is injected into the exhaust in the presence of a fixed catalyst. Each truck is equipped with an additional tank to store AdBlue. Velyen has developed special robust equipment to transfer and supply Adblue in a very efficient way. Velyen guarantee the security and protection of the product integrity through safe closed transfer system

and use of compatible materials.

High accurate meter permits a maximum control of the dispensed quantity. Automatic dispensing gun with flexible nozzle guarantees an easy and quick supply.

Specifications:

- Flow 40 litres/min

	4LB6014	4LB6004	4LB6006
Denomination	Hybrid Pump Stainless pump Drum		
Price List - € (VAT not included)	1.405 €	1.185 €	875 €
Included:	<ul style="list-style-type: none"> • Electronic Flow Meter • Stainless Steel Automatic Nozzle • Drum adapter G2 " • Suction tube 1m • Download Tube 8m 	<ul style="list-style-type: none"> • Without Flow Meter • Stainless Steel Automatic Nozzle • Drum adapter G2 " • Suction tube 1m • Download Tube 8m 	<ul style="list-style-type: none"> • Without Flow Meter • Standard Nozzle • Suction tube 1m • Download Tube 8m

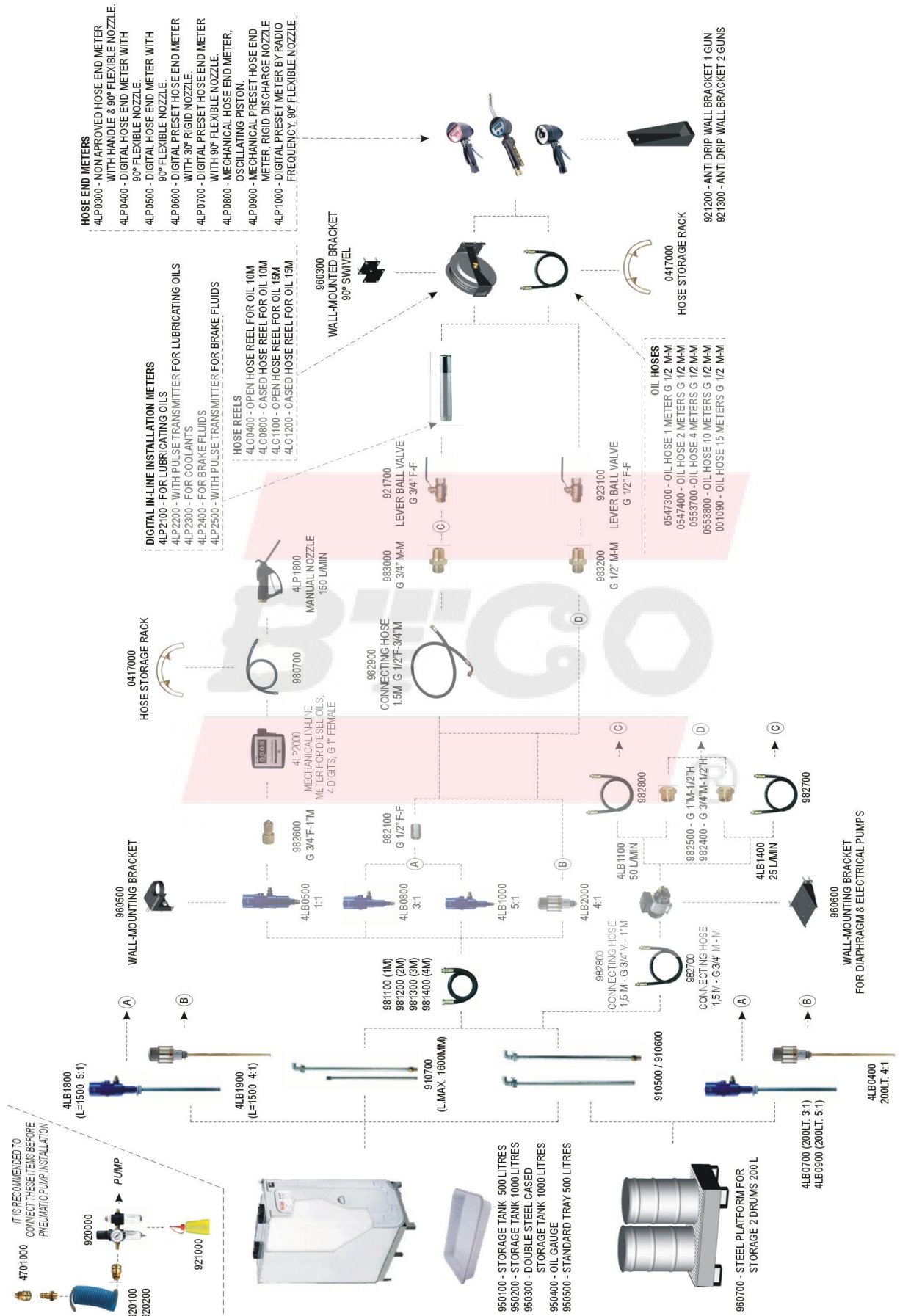
	4LB6012	4LB6004	4LB6006
Denomination	Hybrid Pump Stainless support for Urea solution AUS 32 / DEF		
Price List - € (VAT not included)	1.470 €	1.245 €	945 €
Included:	<ul style="list-style-type: none"> • Electronic Flow Meter • Stainless Steel Automatic Nozzle • Suction Hose with Adapter CDS • Download Tube 8m 	<ul style="list-style-type: none"> • Without Flow Meter • Stainless Steel Automatic Nozzle • Suction Hose with Adapter CDS • Download Tube 8m 	<ul style="list-style-type: none"> • Without Flow Meter • Standard Nozzle • Suction Hose with Adapter CDS • Download Tube 8m

OIL AND GREASE SUPPLY INSTALLATIONS



®

OIL AND GREASE SUPPLY INSTALLATIONS



OIL AND GREASE SUPPLY INSTALLATIONS

GREASE PNEUMATIC PUMPS
4LB0100 - RATIO 50:1 FOR 50 KG DRUM
4LB0200 - RATIO 50:1 FOR 200 KG DRUM

SWIVEL CONNECTORS
914300 - ROTARY Z-SWIVEL CONNECTOR 3x360° G 1/8" M - G 1/4" F
914400 - ROTARY Z-SWIVEL CONNECTOR 2x360° G 1/8" M - G 1/4" F
9141000 - ROTARY SWIVEL CONNECTOR 1x360° G 1/8" M - G 1/4" F

HOSE REELS FOR GREASE
4LC0300 - OPEN HOSE REEL - 10 METERS
4LC0700 - CASED HOSE REEL - 10 METERS
4LC0800 - OPEN HOSE REEL - 15 METERS
4LC1000 - CASED HOSE REEL - 15 METERS

WALL-MOUNTED BRACKET FOR HOSE REELS - 90° SWIVEL
960300

GREASE PUMP CONNECTING HOSE
980000
1.5 METERS - G 1/4" F-F

HOSE STORAGE RACK
0417000

GREASE HOSES
0554900 - GREASE HOSE 1 METER - G 1/4" F-F
0555000 - GREASE HOSE 2 METERS - G 1/4" F-F
0555100 - GREASE HOSE 4 METERS - G 1/4" F-F
0555400 - GREASE HOSE 10 METERS - G 1/4" F-F
981000 - GREASE HOSE 15 METERS - G 1/4" F-F

SWIVEL CONNECTORS
914300 - GREASE CONTROL GUN - G 1/8" F
9141400 - GREASE METER NOZZLE - G 1/4" F

0343800
FITTING UNION FOR GREASE HOSE G 1/4" M/M KR

920700
LEVER BALL VALVE
400 BAR - G 1/4" F-F

920000
AIR MAINTENANCE UNIT

921000
OIL FOR LUBRICATING FILTER

ANTI-DUST DRUM COVERS:
0931100 - FOR GREASE DRUM OF 37 KG
0550500 - FOR GREASE DRUM OF 50 KG
4775000 - FOR GREASE DRUM OF 200 KG

FOLLOWER PLATES
0548500 - FOR GREASE DRUM OF 37 KG
0550400 - FOR GREASE DRUM OF 50 KG
941000 - FOR GREASE DRUM OF 200 KG

NIPPLE COUPLERS & ADAPTERS - FLEXIBLE HOSES
910800 - HYDRAULIC COUPLER WITH SF FOR H-NIPPLES - Ø15 - L=37 - G 1/8" H
910900 - HYDRAULIC COUPLER WITH SF FOR H-NIPPLES - Ø13 - L=42 - G 1/8" H
911100 - PRECISION MACHINED COUPLER WITH SF FOR H-NIPPLES - Ø15 - L=37 - G 1/8" H
911200 - UNIVERSAL COUPLER FOR H- & K-NIPPLES - G 1/8" F - DIN 3402
911300 - POINTED COUPLER FOR FUNNEL TYPE GREASE NIPPLES - G 1/8" F - DIN 3405
911400 - BUTTON HEAD COUPLER, SIDE ON TYPE, FOR M- & T-NIPPLES - G 1/8" F - ø16 MM
911500 - FLAT BUTTON HEAD COUPLER FOR BUTTON HEAD NIPPLES - G 1/8" F - ø16 MM
911600 - STANDARD BUTTON HEAD COUPLER FOR BUTTON HEAD NIPPLES - G 1/8" F - ø16 MM
911700 - STANDARD BUTTON HEAD COUPLER FOR BUTTON HEAD NIPPLES - G 1/8" F - ø22 MM
911800 - STANDARD BUTTON HEAD COUPLER FOR BUTTON HEAD NIPPLES - G 1/8" F - ø22 MM
912800 - STRAIGHT RELEASE ADAPTER WITHOUT NIPPLE - G 1/8" M/M
912900 - ANGLED RELEASE ADAPTER WITH NIPPLE - G 1/8" M
913000 - FLEXIBLE HOSE 11X300 MM - G 1/8" M/M
913100 - FLEXIBLE HOSE 11X500 MM - G 1/8" M/M
913200 - FLEXIBLE HOSE 11X300 MM WITH HYDRAULIC NIPPLE - G 1/8" M
913300 - FLEXIBLE HOSE 11X500 MM WITH HYDRAULIC NIPPLE - G 1/8" M

GREASE GUNS
4LP2600 - MANUAL GREASE GUN WITH CARTRIDGE
FLEXIBLE HOSE 11X300 MM
WITH HYDRAULIC NIPPLE G 1/8" M

4LP2700 - PNEUMATIC GREASE GUN WITH CARTRIDGE
RIGID TUBE 11X300 MM
WITH HYDRAULIC NIPPLE G 1/8" M/M

960100
DRUM TROLLEY SUITABLE
FOR 160-200 KG DRUM

INDEX

REF.	DENOMINATION	Pag
001090	Mangueras de aceite	76
001091	Mangueras de grasa	76
001465	Adaptador sobre bidón	73
001602	Racor Reducción 1" – 3/4" H-H	73
001674	Asa Transp. Bomba El.	69
002647	Racor Reducción 3/4" H – 1/2" M. Baja Presión	73
002851	Enchufe Rápido M 1"	14
002901	Grifo mueble bar	27
003207	Bidón sangrador frenos	13
003993	Racor Reducción 3/4" H – 1/2" H	73
0146100	Racor terminal mang.	73
0246200	Adaptador sobre bidón	73
0343100	Racor unión	73
0343800	Racor adaptador	73
0417000	Soporte Manguera	75
0529400	Racor conexión giratoria	73
0547200	Mangueras de aceite	76
0547300	Mangueras de aceite	76
0547400	Mangueras de aceite	76
0547600	Mangueras de aceite	76
0548500	Plato Seg. Bidón 37 kg.	70
0550400	Plato Seguidor Bidón 25-60 Kg.	70
0550500	Tapa Anti – Polvo Bidón 25-60 Kg.	70
0553700	Mangueras de aceite	76
0553800	Mangueras de aceite	76
0554900	Mangueras de grasa	76
0555000	Mangueras de grasa	76
0555100	Mangueras de grasa	76
0555400	Mangueras de grasa	76
0821500	Mangueras de grasa	76
0822500	Racor terminal 1/4"	73
0931100	Tapa Anti-Polvo Bidón 37 Kg.	70
2680700	Adaptador 1/4" M-M	73
4101000	Repuesto de boquilla	78
4102000	Repuesto de boquilla	78
4102400	Repuesto de boquilla	78
4104000	Repuesto de boquilla	78
4105000	Repuesto de boquilla	78
4106000	Repuesto de boquilla	78
4108000	Repuesto de boquilla	78
4212000	Servicio Gasoil	81
4212100	Servicio Agua radiador	81
4212200	Servicio Agua a Presión	81
4401100	4LP1300+913300	78
4701000	Racor enchufe rápido	73

REF.	DENOMINATION	Pag
4702000	Vástago enchufe rápido	73
4775000	Tapa Anti - Polvo Bidón 180-220 Kgs.	70
4793000	Reg. Presión Lubricador	70
4795100	Rótula control conexión	74
4795200	Rótula triple grasa 1/4" M-M	74
4795300	Rótula simple grasa 1/4" M-M	74
4LB0110	Bomba Engrase 50:1	47
4LB0210	Bomba Engrase 50:1	47
4LB0505	Bomba Aceite 1:1	48
4LB0515	Bomba Aceite 1:1	48
4LB0705	Bomba Aceite 3:1	48
4LB0805	Bomba Aceite 3:1	48
4LB0905	Bomba Aceite 5:1	49
4LB1005	Bomba Aceite 5:1	49
4LB1100	Bomba Eléct. 50 l/min	53
4LB1200	Bomba Diaf. 60 l/min	53
4LB1201	Bomba Diaf. 60 l/min	53
4LB1300	Bomba Diaf. 160 l/min	53
4LB1400	Bomba Eléct Monofasica	53
4LB1405	Bomba Eléct Monofasica	53
4LB1710	Bomba Manual Aceite	14
4LB1805	Bomba Aceite 5:1	49
4LB2400	Bomba Aspiración	49
4LB2500	Bomba Aceite 5:1	50
4LB2600	Bomba Aceite 7:1	50
4LB6002	Bomba Ad blue	85
4LB6003	Bomba Ad blue	85
4LB6004	Bomba Ad blue	85
4LB6006	Bomba Ad blue	85
4LB6012	Bomba Ad blue	85
4LB6014	Bomba Ad blue	85
4LC0405	Carrete Aceite 10 m Abierto	58
4LC0805	Carrete Aceite 10 m Carenado	58
4LC0910	Carrete Grasa 15 m Abierto	57
4LC1010	Carrete Grasa 15 m Carenado	57
4LC1105	Carrete Aceite 15 m Abierto. BASICO	58
4LC1110	Carrete Grasa 15 m Carenado	58
4LC1205	Carrete Aceite 15 m Carenado	58

REF.	DENOMINATION	Pag
4LC1310	Carrete Aire 15 m Abierto	59
4LC1410	Carrete Aire 15 m Carenado	59
4LC1710	Carrete Liq.Freno 15 m Abierto	60
4LC1810	Carrete Liq.Freno 15 m Carenado	60
4LC2000	Carrete Electrico	60
4LC2109	Carrete Aceite 9 m Carenado Compacto	58
4LC2112	Carrete Aceite 12 m Carenado Compacto	58
4LC3115	Carrete Aire comprimido Carenado Compacto 15m	60
4LD0100	Equipo Móvil Grasa	5
4LD0110	Equipo Móvil Grasa	5
4LD0200	Equipo Móvil Grasa	5
4LD0210	Equipo Móvil Grasa	5
4LD0305	Equipo Móvil Grasa	6
4LD0400	Equipo Móvil Grasa	6
4LD0500	Equipo Móvil Grasa	6
4LD0700	Equipo Móvil Grasa	7
4LD0710	Equipo Móvil Grasa	7
4LD0800	Sum. Grasa Estacionario	17
4LD0810	Sum. Grasa Estacionario	17
4LD0900	Sum. Grasa Estacionario	17
4LE0100	Eq. Móvil sobre Plataf.	81
4LE0200	Eq. Móvil sobre Plataf.	81
4LE0300	Eq. Móvil sobre Plataf.	81
4LE0400	Eq. Móvil sobre Plataf.	81
4LE0500	Eq. Móvil sobre Plataf.	81
4LE0600	Eq. Móvil sobre Plataf.	81
4LE0700	Eq. Móvil sobre Remol.	81
4LE0800	Eq. Móvil sobre Remol.	81
4LF0305	Aspirador – recogedor	11
4LF0605	Sangrador Frenos	13
4LF0700	Sist. Descontaminación	26
4LF0800	Sist. Descontaminación	26
4LF0900	Kit Descontaminación	29
4LF0910	Kit Descontaminación	29
4LF0920	Kit Descontaminación	29
4LF0930	Kit Descontaminación	30
4LF0940	Kit Aspiración	30
4LF0950	Kit Aspiración	30
4LF0960	Kit Est. Aspiración	29
4LF1000	Kit Trasvase Bomba	30
4LF1100	Pórtico	24
4LF1110	Pórtico	24
4LF1120	Pórtico	24
4LF1130	Totem	24

REF.	DENOMINATION	Pag
4LF1300	Bancos de Trabajo	27
4LF1310	Bancos de Trabajo	27
4LF1301	Armario Herramientas	27
4LF1400	Aspirador Gasolina	26
4LF9999	Multienergía	25
4LG0110	Sist. control V1.1	38
4LG0200	Sistema control V3 RF	40
4LG0600	Sistema control V2 RF	39
4LG0800	Sistema control 5.1	37
4LG0801	Sistema control 5.1	37
4LG0810	Sistema control 5.1	37
4LM0010	Sum. Móvil Aceite	10
4LM0020	Cjto. Estacionario Aceite	21
4LM0030	Cjto Estacionario Aceite	21
4LM0040	Cjto. Estacionario Aceite	21
4LM0050	Cjto. Estacionario Aceite	21
4LM0060	Cjto. Estacionario Aceite	22
4LM0070	Cjto. Estacionario Aceite	22
4LM0080	Cjto. Estacionario Aceite	22
4LM0090	Sum. Móvil Aceite	10
4LP0100	Pistola de Aceite Manual	63
4LP0405	Pistola Aceite Digital	63
4LP0410	Pistola Aceite Digital	63
4LP0500	Pistola Aceite Digital	63
4LP0600	Pistola Aceite Digital	63
4LP0700	Pistola Aceite Digital	63
4LP0800	Pistola Aceite Mecánica	63
4LP0900	Pistola Aceite Mecánica	63
4LP1000	Pistola Dig. Fluidos esp.	66
4LP1100	Medidor Manual Mecánico	41
4LP1300	Pistola de Grasa Manual	65
4LP1400	Pistola de Grasa Digital	65
4LP1500	Pistola Petrolea	66
4LP1600	Pistola Sopladora	66
4LP1700	Pistola Agua	66
4LP1800	Pistola Gasoil, Gasolina y Aceite	66
4LP1900	Pistolín Inflar	66
4LP2000	Medidor Manual Mecánico	41
4LP2100	Contador Vol. Digital	42
4LP2200	Contador Transmisor	43
4LP2300	Contador Vol. Digital	42
4LP2400	Contador Transmisor	43
4LP2500	Contador Vol. Digital	42
4LP2600	Engrasador Manual Lateral	65
4LP2700	Bomba Automática Tubo Rígido	65

INDEX

REF.	DENOMINATION	Pag
4LP2800	Medidor Manual Mecánico	41
4LP2900	Contador Transmisor	43
4LP3000	Inyector Valvulina	66
4LP3100	Pistola Aceite Digital RF	63
4LP3200	Pistola Otros Fluidos Digital RF	66
4LP3300	Conjunto elementos 5.1	37
4LP3334	Conjunto elemento IND	37
4LV0200	Eq. Móvil Combinado	11
4LV0300	Equipo Móvil Aceite	8
4LV0310	Equipo Móvil Aceite	8
4LV0400	Equipo Móvil Aceite	9
4LV0401	Equipo Móvil Aceite	9
4LV0405	Equipo Móvil Aceite	9
4LV0500	Equipo Móvil Aceite	9
4LV0600	Equipo Móvil Aceite	8
4LV0700	Equipo Móvil Aceite	9
4LV0800	Sum. Móvil Aceite	10
4LV0900	Kit Aceite Estacionario	18
4LV0910	Kit Aceite Estacionario	18
4LV0920	Kit Aceite Estacionario	18
4LV0930	Kit Aceite Estacionario	18
4LV0940	Kit Aceite Estacionario	18
4LV0950	Kit Aceite Estacionario	18
4LV0960	Kit Aceite Estacionario	23
4LV0970	Kit Aceite Estacionario	23
4LV0980	Kit Aceite Estacionario	19
4LV0990	Kit Aceite Estacionario	19
4LV1000	Kit Aceite Estacionario	20
4LV1020	Kit Aceite Estacionario	20
4LV1040	Kit Aceite Estacionario	20
4LV1050	Kit Aceite Estacionario	23
4LV1400	Equipo Aceite Caja Cambios	9
5010190K	Eq. Móvil Combinado	11
5010190	Eq. Móvil Combinado	11
5685065A	Eq. Móvil Combinado	11
5685090	Eq. Móvil Combinado	11
5713000	Racor Inflar	73
7247100	Metros cable	37
910000	Kit 5 Boquillas	13
910200	Kit 14 Boquillas	13
910500	Tubo 860 mm	34
910501	Tubo 860 mm PVC	34
910600	Tubo 1.060 mm con válvula pie	34

REF.	DENOMINATION	Pag
910700	Tubo 1.600 mm con válvula pie	34
910800	Boq. hidráulicas engrase	77
910900	Boq. hidráulicas engrase	77
911000	Boq. hidráulicas engrase	77
911100	Boq. hidráulicas engrase	77
911200	Boq. hidráulicas engrase	77
911300	Boq. hidráulicas engrase	77
911400	Boq. hidráulicas engrase	77
911500	Boq. hidráulicas engrase	77
911600	Boq. hidráulicas engrase	77
911700	Boq. hidráulicas engrase	77
911800	Boq. hidráulicas engrase	77
912800	Tubos rígido recto	77
912900	Tubos rígido curvo	77
913000	Latiguillo flexible caucho	78
913100	Latiguillo flexible caucho	78
913200	Latiguillo flexible caucho	78
913300	Latiguillo flexible caucho	78
913400	Racor 90° G 1/8" M - H	73
913500	Racor rótula simple	74
913800	Racor unión manguito	73
913900	Surtido Estándar Acc.	78
914100	Rótula simple grasa 1/4" M-H	74
914300	Rótula triple grasa 1/4" M-H	74
914400	Rótula doble grasa 1/4" M-H	74
920000	Lubricador Regulador	68
920100	Espiral mang. aire 5 m.	75
920200	Espiral mang. aire 7,5m	75
920300	Filtro aceite 1/2 " H	74
920600	Válvula Seg. Grasa	74
920700	Grifo Grasa 400 bar 1/4" H - H	74
920800	Grifo Grasa 400 bar M-M 1/4"	74
920900	Válvula Seg. Aceite	74
921000	Aceite para Filtro Lubificador	70
921200	Soporte Antigoteo 1 Q	71
921400	Filtro aceite 3/4 " H	74
921600	Manguera flexible aceite	76
921700	Grifo o válvula de esfera aceite	74
921800	Racor adaptador 3/4" M - M	73
921900	Racor reductor-adaptador	73

REF.	DENOMINATION	Pag
922000	Racor reductor-adaptador	73
923200	Bandeja Foso 65 l.	14
923300	Bandeja Suelo	14
923400	Bandeja Foso 110 l.	14
9364300	Sonda Plástico 7 mm 1000 mm	14
9364400	Sonda Plástico 8 mm 700 mm	14
9364500	Sonda Plástico 6 mm 700 mm	14
9364600	Sonda Cobre 5 mm 700 mm	14
9364700	Sonda Cobre 6 mm 700 mm	14
9365900	Válvula en esfera	74
9372100	Sonda Plástico 5 mm 700 mm	14
940000	Embudo	14
940100	Bandeja Recuperadora	14
941000	Plato Seguidor Bidón 180-220	70
950000	Cisterna	33
950100	Cisterna	33
950200	Cisterna	33
950300	Cisterna Seg. 1000 l.	33
950302	Cisterna Seg. 200 l.	33
950400	Indicador Nivel Cisterna 1.000 l	34
950500	Cubeta Estándar Cisternas	34
950600	Adaptador Bomba y Carrete	34
950800	Cisterna Seg. 1.500 l	33
950900	Cisterna Seg. 3.000 l.	33
951000	Indicador Nivel Cisterna 1.500 l	34
9510700	Racor para sondas Volkswagen	14
9510800	Racor para sondas BMW	14
951100	Cisterna Seg. 2.000 l.	33
951200	Bandeja para deposito	34
951300	Cisterna Seg. 5.000 litros	33
951400	Jarra Dispensar 5 litros	27
951500	Cisterna 1.000 litros	33
951600	Cisterna 1.500 litros	33
951700	Cisterna 2.000 litros	33
951800	Cubeto 2000 litros	34
952000	Mueble bar	27
952005	Mueble bar	27
952100	Mueble bar	27

REF.	DENOMINATION	Pag
952010	Tirador 1 grifo	27
952015	Grifo mueble bar	27
952020	Recogedor grifo	27
952200	Deposito Gasolina	33
960000	Carro Portabidon 5-60 Kg	70
960100	Carro Portabidon 180-220 Kgs	70
960303	Soporte Giratorio Carretes	69
960500	Soporte Pared Bomba Neum.	69
960600	Soporte Pared Bomba Diaf.	69
960700	Plataforma Almacenamiento	34
960800	Estantería Almacenamiento	34
960903	Soporte Unión dos carretes	69
961200	Adaptador sobre bidón	73
961300	Adaptador sobre bidón O 37,5	73
961400	Carro portabidones abatible	70
970200	Porta Sondas para pared	14
970600	Sonda Electrónica	34
971900	Adaptador Universal Sondas	14
972000	Grifo para sondas	74
972500	Sonda Plástico 6 mm 1500 mm	14
972600	Sonda Plástico 7 mm 1500 mm	14
972700	Sonda Plástico 8 mm 1500 mm	14
972800	Racor para sondas Citroën	14
973300	Llave para abrir bidones	34
973400	Enchufe Rápido para Vaciado	14
979900	Kit Sondas Aspiración	14
980100	Mangueras de aire/agua	75
980200	Mangueras de aire/agua	75
980300	Mangueras de aire/agua	75
980400	Mangueras de aire/agua	75
980500	Mangueras de aire/agua	75
980600	Mangueras de aire/agua	75
980700	Manguera gasoil 3 m.	75
980900	Manguera bomba grasa	75
981100	Mangueras de aceite	76
981200	Mangueras de aceite	76
981300	Mangueras de aceite	76

INDEX

REF.	DENOMINATION	Pag
981400	Mangueras de aceite	76
981500	Mangueras de aceite	76
981600	Mangueras de aceite	76
981800	Racor Reducción 1" M – 1/2 " M	73
981900	Mangueras de aire/agua	75
982000	Racor Codo 3/4" M– H	73
982100	Racor Unión 1/2 " H-H	73
982400	Racor Reducción 3/4" 1/2" M-H	73
982500	Racor Reducción 1" 1/2" M-H	73
982600	Racor Reducción 1" 3/4" M-H	73
982900	Manguera bomba aceite	75
983000	Racor Unión 3/4 " M-M	73
983100	Válvula esfera 1/2" H-H	74
983200	Racor Unión 1/2 " M-M	73
983400	Manguera Aire-Agua 3/4" 2 metros	75
994300	Conexión Autoline Quiter	39
994400	Amplificador antena	36



▶ EXPORTACIONES VELYEN
SOMOS UNA EMPRESA GLOBAL

▶ FABRICACIÓN EXTERIOR

50%

La mitad de nuestra producción
va destinada al mercado
internacional

▶ PAISES

42

Velyen tiene presencia
en 42 países

▶ FILIALES INTERNACIONALES

3

Tenemos 3 filiales en Argentina,
México y Reino Unido

BOLTSANDTOOLS



ISO 9001
BUREAU VERITAS
Certification



velyen licensed by **ISTOBAL**

Especialistas en Posventa · Equipamiento de taller